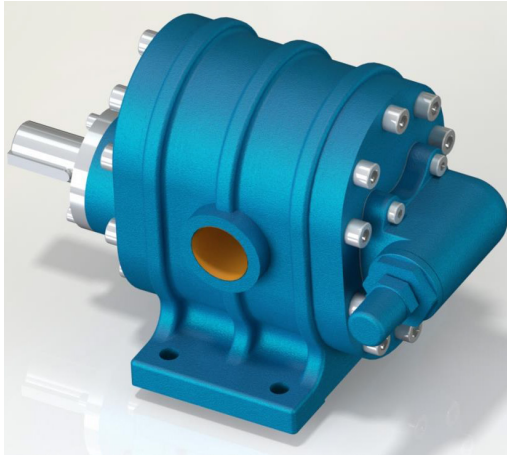




# GAE 1½" High Pressure Modular Gear Pump



**Performance:**

Flow rate	7.7 m³/h
Pressure	1 - 30 bar
Temperature	0 - 100 °C
Speed	1 - 1500 d/d
Viscosity	100 - 2500 SSU

**Technical Features:**

- ✓ High pressure modular gear pump
- ✓ 1½" threaded ports
- ✓ Designed for applications that require low flow and high pressures
- ✓ Compact design
- ✓ Reliable construction
- ✓ Various sealing options
- ✓ Various material options
- ✓ Available with jacket cover and pressure relief valve
- ✓ 230v, three phase 50/60hz motors available
- ✓ Manufactured according to CE regulations

**Applications:**

- ✓ Fuel oil, diesel fuel and gas oil transfer
- ✓ Small scale thermal oil applications including Marlotherm, Duratherm, Paratherm, Multitherm, Mobiltherm and Dowtherm
- ✓ Lubrication applications
- ✓ Coolant transfer
- ✓ Any transfer of low to medium viscosity fluids with lubricating properties
- ✓ Not suitable for fluids containing abrasive particles

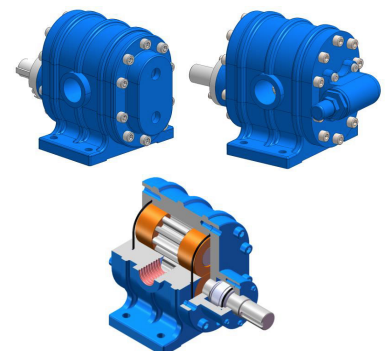
**Material Options:**

- ✓ Pump body & covers: Cast iron, steel cast, stainless AISI 304/316 cast
- ✓ Gears: Steel, stainless steel AISI 304 / 316
- ✓ Bearings: Snbz 12 bronze, bearing, carbon graphite, Ina bushing bearing
- ✓ Sealing: Soft seal, mechanical seal, lip seal

Capacity & Power Table					
Capacity (Q)	Speed (rpm)	Pressure			Viscosity
		0 Bar	3.5 Bar	7 Bar	
2.7	500	3 HP	4 HP	4 HP	2500 SSU
3.8	750	4 HP	4 HP	5.5 HP	2500 SSU
4.8	900	4 HP	4 HP	5.5 HP	750 SSU
6	1400	4 HP	5.5 HP	5.5 HP	100 SSU

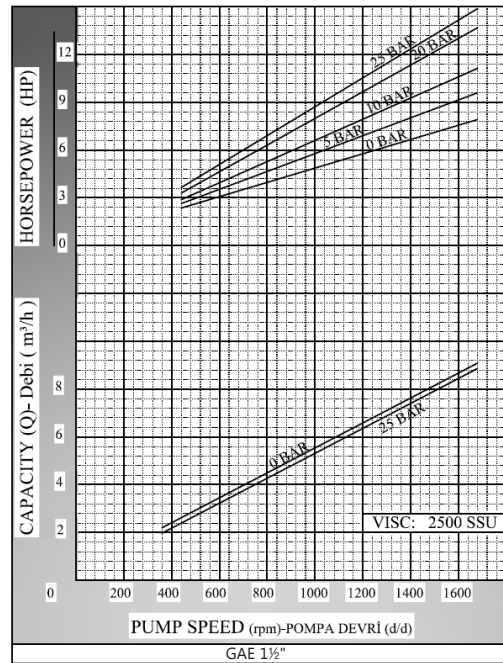
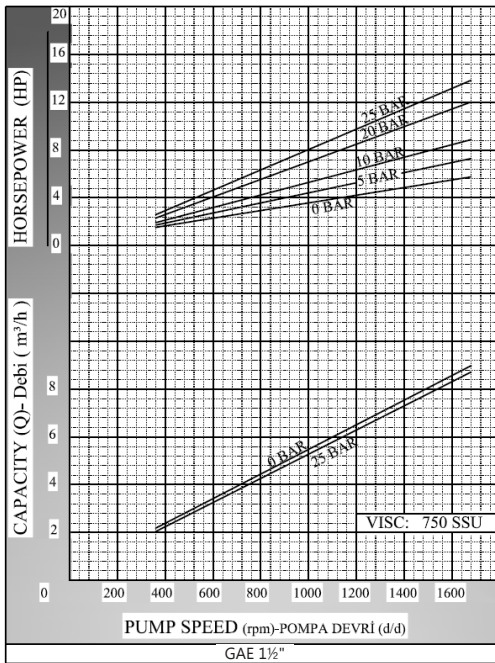
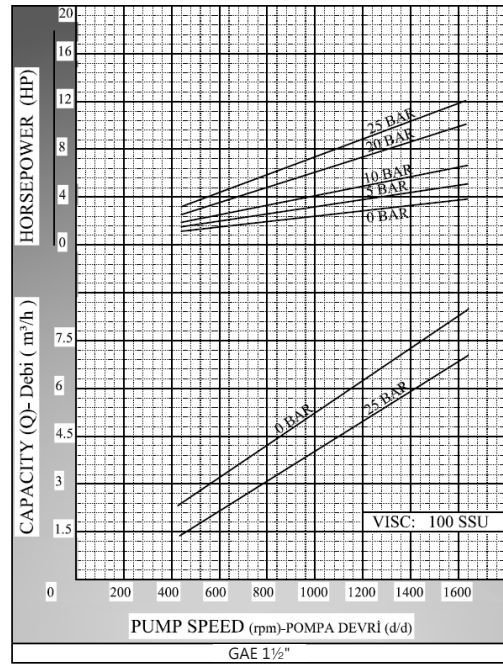
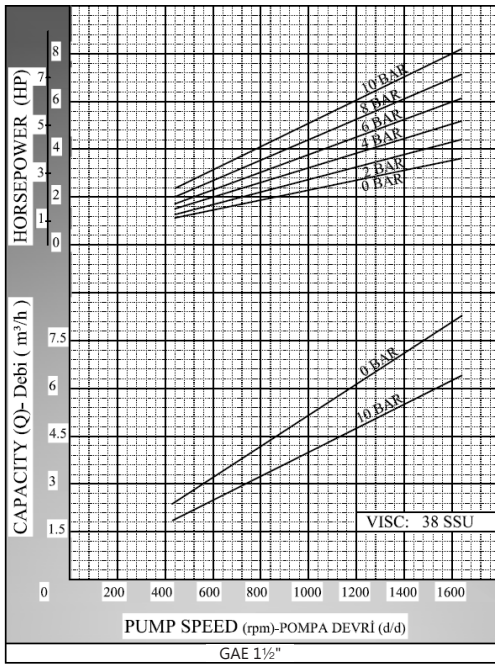
  

Motor Powers		Motor Powers		Motor Powers		Motor Powers	
4 HP	1400 d/d (rpm)	5.5 HP	1400 d/d (rpm)	4 HP	750 d/d (rpm)	5.5 HP	750 d/d (rpm)
Motor Body		Motor Body		Motor Body		Motor Body	
100		112		5.5 HP 900 d/d (rpm)		160	
Motor Body							
				132			

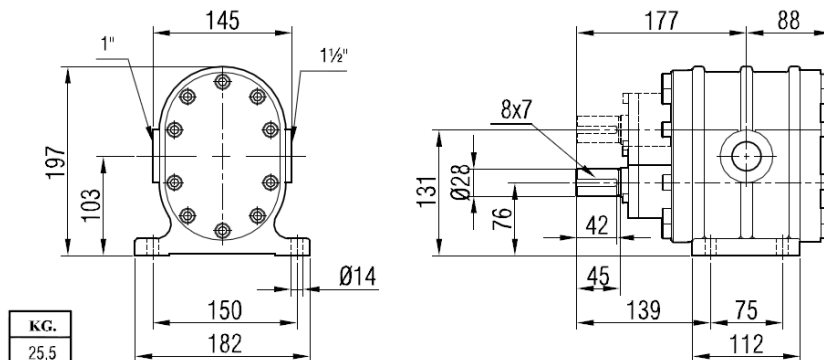




## Performance Curves:



## Pump Dimensions:

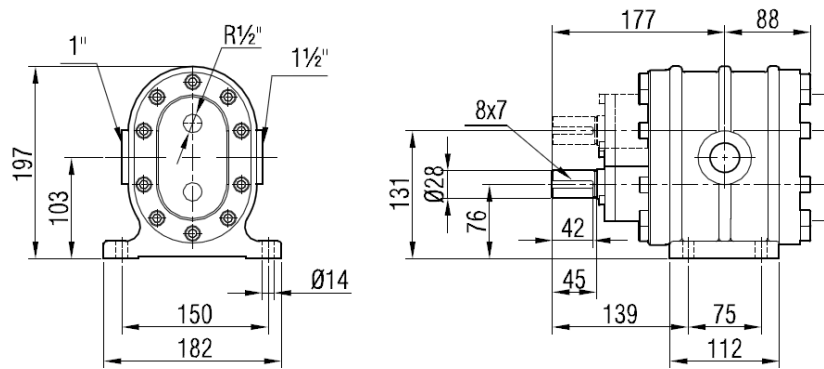


KG.
25.5

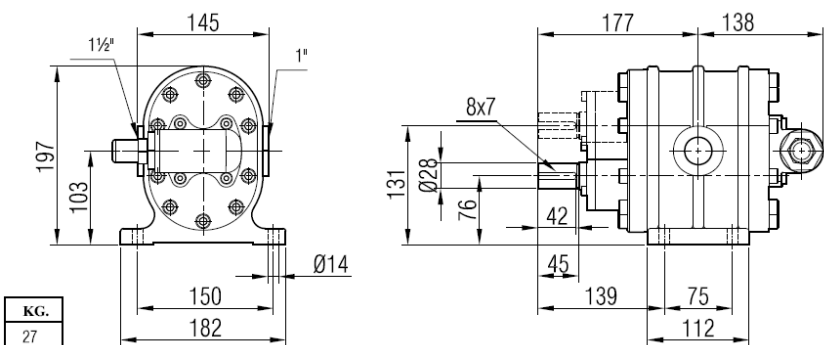
For high pressure up to 30 bar.  
 Standard Inlet 1¼" – Outlet 1"  
 Optional Inlet 1½" – Outlet 1"  
 For low pressure up to 10 bar.  
 Standard Inlet 1¼" – Outlet 1¼"  
 Optional Inlet 1½" – Outlet 1½"



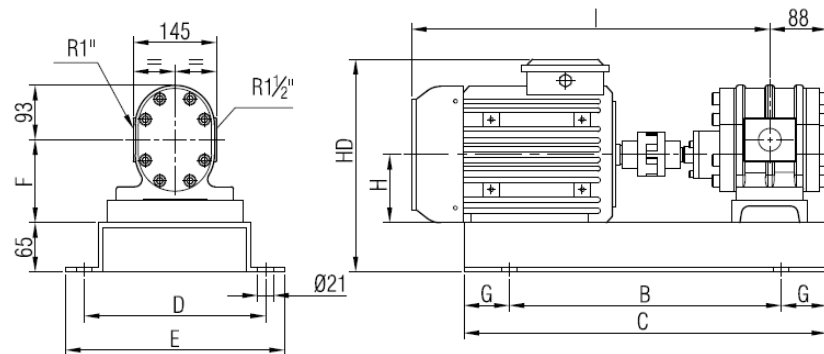
With jacketed cover:



Pressure relief valve on cover:



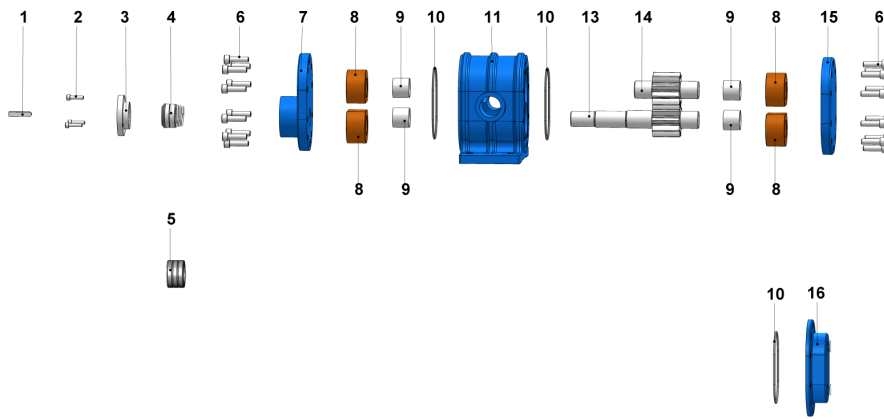
Coupling Dimensions:



Motor Power & Speed			I	HD	H	B	C	D	E	F	G	Kg
2 hp / 1.5 kw	1400 d/d (rpm)	MOTOR 90L	554	281	90	430	550	260	300	117	60	53
2 hp / 1.5 kw	900 d/d (rpm)	MOTOR 100L	604	300	100	420	620	310	350	128	100	65
3 - 4 hp / 2.2 - 3 kw	1400 d/d (rpm)											63
2 hp / 1.5 kw	750 d/d (rpm)	MOTOR 112M	619	323	112	420	620	310	350	140	100	73
3 hp / 2.2 kw	900 d/d (rpm)											74
5.5 hp / 4 kw	1400 d/d (rpm)	MOTOR 132S	658	365	132	500	700	310	350	159	100	82
3 hp / 2.2 kw	750 d/d (rpm)											83
4 hp / 3 kw	900 d/d (rpm)	MOTOR 132M	704	365	132	500	700	310	350	159	100	87
7.5 hp / 5.5 kw	1400 d/d (rpm)											90
4 hp / 3 kw	750 d/d (rpm)	MOTOR 160M	804	450	160	580	780	380	420	187	100	94
5.5 hp / 4 kw	900 d/d (rpm)											97
10 hp / 7.5 kw	1400 d/d (rpm)	MOTOR 160M	804	450	160	580	780	380	420	187	100	128
5.5 hp / 4 kw	750 d/d (rpm)											139
10 hp / 7.5 kw	900 d/d (rpm)	MOTOR 160M	804	450	160	580	780	380	420	187	100	145
15 hp / 11 kw	1400 d/d (rpm)											145

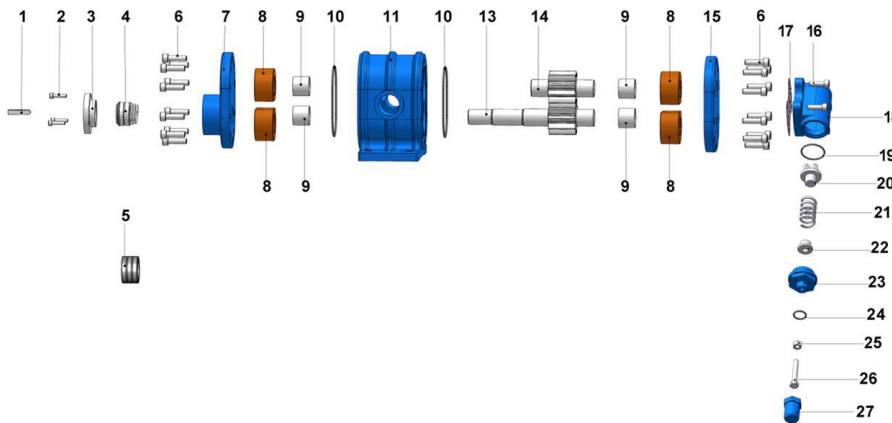


## Spare Parts List - Lip Seal & Mechanical Seal:



No.	Part Name.	Qty.
1	Coupling Key 8x7x42AB	1
2	Imbus Bolt M6x25	3
3	Seal Cover	1
4	Mechanical Seal Ø30	1
5	Lip Seal ø30xø50x10	3
6	Imbus Bolt M10x35	20
7	Front Cover	1
8	Bushing	4
9	Ina Burc	4
10	Casing O-Ring ø108xø3	2
11	Casing	1
13	Driving Shaft	1
14	Driven Shaft	1
15	Back Cover	1
16	Cover (w/ Heating Jacket)	1

## Spare Parts List - Lip Seal & Mechanical Seal:



No.	Part Name.	Qty.
1	Coupling Key 8x7x42AB	1
2	Imbus Bolt M6x25	3
3	Seal Cover	1
4	Mechanical Seal Ø30	1
5	Lip Seal ø30xø50x10	3
6	Imbus Bolt M10x35	20
7	Front Cover	1
8	Bushing	4
9	Ina Burc	4
10	Casing O-Ring ø108xø3	2
11	Casing	1
13	Driving Shaft	1
14	Driven Shaft	1
15	Back Cover	1
16	Inbus Bolt M8x25 For Cover	4
17	Bypass gasket	1
18	Pressure Relief Valve - Bypass	1
19	Bypass O-Ring	1
20	Valve	1
21	Spring	1
22	Washer	1
23	Bypass Cover	1
24	Cap O-Ring	1
25	Nut M8	1
26	Adjusting Screw M8x55	1
27	Cap	1