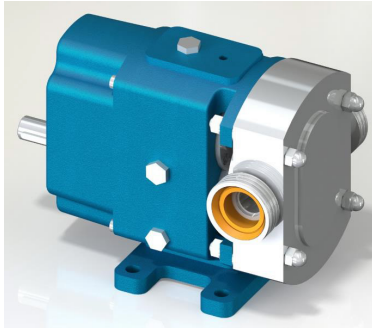




GQT 1½" Rotary Lobe Pump



Performance:

| | |
|-------------|------------------|
| Flow rate | 8 m³/h |
| Pressure | 1 - 10 bar |
| Temperature | 0 - 150 °C |
| Speed | 1 - 750 d/d |
| Viscosity | 150 - 250000 SSU |

- 1½" Standard Port Size
- 2" Enlarged Port Size

Technical Features:

- ✓ Rotary lobe pump
- ✓ 1½" threaded ports
- ✓ Suitable for hygienic applications involving food
- ✓ Good clean in place qualities
- ✓ Gentle, low pulsation pumping mechanism
- ✓ Compact design
- ✓ Various material options
- ✓ Various sealing options
- ✓ Available with sanitary clamp connection and heating jacket
- ✓ Motor or gearbox drive available
- ✓ 230v, three phase 50/60hz motors available
- ✓ Manufactured according to CE regulations

Applications:

- ✓ Sanitary and hygienic applications
- ✓ Shear sensitive products
- ✓ Food processing
- ✓ Pharmaceutical
- ✓ Chemical
- ✓ Paper and pulp
- ✓ Gels and greases
- ✓ Paint and dyes

Material Options:

- ✓ Pump body & cover: Cast iron
- ✓ Lobe casing & lobes: Steel cast, stainless AISI 304 / 316
- ✓ Bearings: Bearing
- ✓ Sealing: Mechanical seal, lip seal

Capacity & Power Table

| Capacity | Speed (rpm) | Pressure | | | Viscosity |
|----------|-------------|----------|---------|-------|-----------|
| | | 0 Bar | 3.5 Bar | 7 Bar | |
| 1 | 100 | 0.75 HP | 1 HP | 1 HP | 75000 SSU |
| 2 | 200 | 1.5 HP | 1.5 HP | 2 HP | 75000 SSU |
| 4.8 | 500 | 2 HP | 3 HP | 4 HP | 15000 SSU |
| 7 | 750 | 2 HP | 3 HP | 4 HP | 2500 SSU |
| 6.6 | 750 | 1.5 HP | 3 HP | 4 HP | 500 SSU |
| 7.8 | 900 | 1.5 HP | 3 HP | 4 HP | 150 SSU |

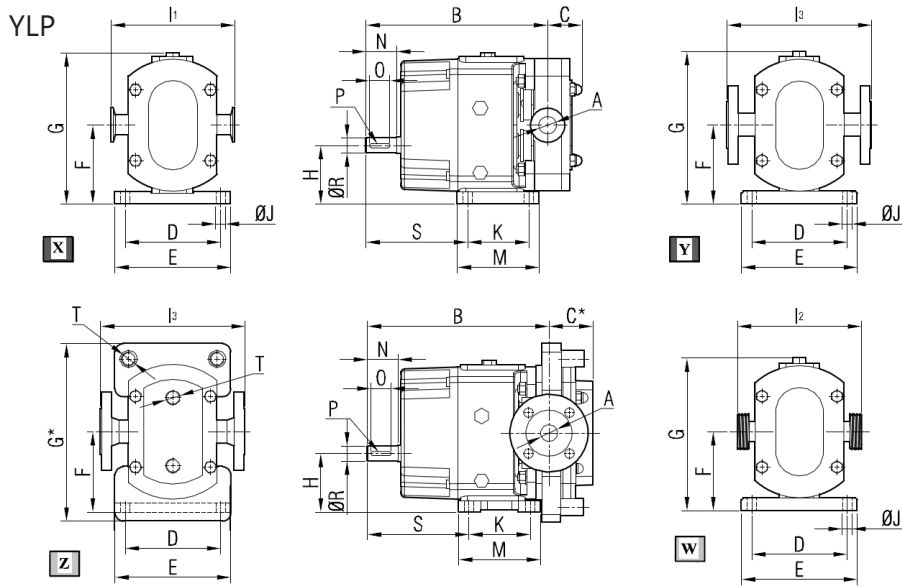
| Motor Powers | |
|--------------|---------------|
| 1.5 HP | 750 d/d (rpm) |
| 1.5 HP | 900 d/d (rpm) |
| Motor Body | |
| 100 | |

| Motor Powers | |
|--------------|---------------|
| 2 HP | 750 d/d (rpm) |
| 3 HP | 900 d/d (rpm) |
| Motor Body | |
| 112 | |

| Motor Powers | |
|--------------|---------------|
| 3 HP | 750 d/d (rpm) |
| 4 HP | 750 d/d (rpm) |
| 4 HP | 900 d/d (rpm) |
| Motor Body | |
| 132 | |

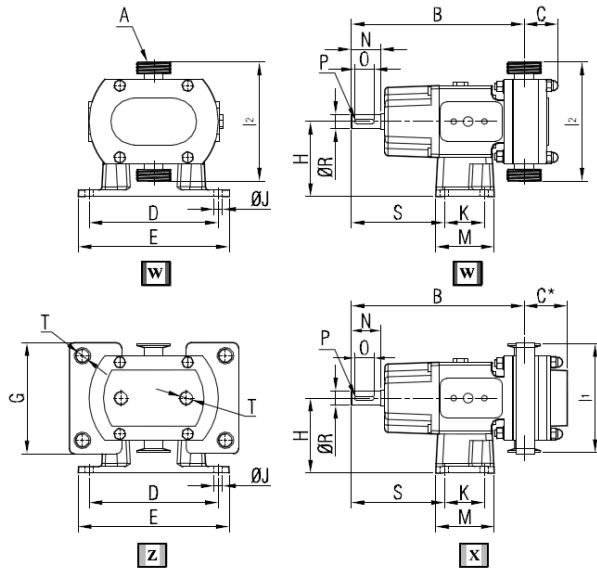


Pump Dimensions:



| | |
|----|-------------------------------------|
| X | Pump with Sanitary Clamp Connection |
| Y | Pump with Flange Connection |
| Z | Pump with Heating Jackets |
| W | Pump with Male Thread Connection |
| B | For Pump with Code 001 |
| B* | For Pump with Code 002 |

| Pump Code | A | B | B* | C | C* | D | E | F | G | G* | H | I ₁ | I ₂ | I ₃ | J | K | M | N | O | P | R | S | T | kg | |
|-----------|------|-----|-----|----|----|-----|-----|-----|-----|-----|----|----------------|----------------|----------------|----|----|-----|----|----|-----|----|-----|------|----|----|
| YLP2 018 | DN40 | 270 | 295 | 57 | 71 | 140 | 170 | 116 | 222 | 260 | 86 | 167 | 190 | 250 | 14 | 90 | 120 | 45 | 30 | 6x6 | 22 | 149 | 1/2" | 34 | |
| | DN50 | | | | | | | | | | | 222 | 249 | 269 | | | | | | | | | | | 35 |

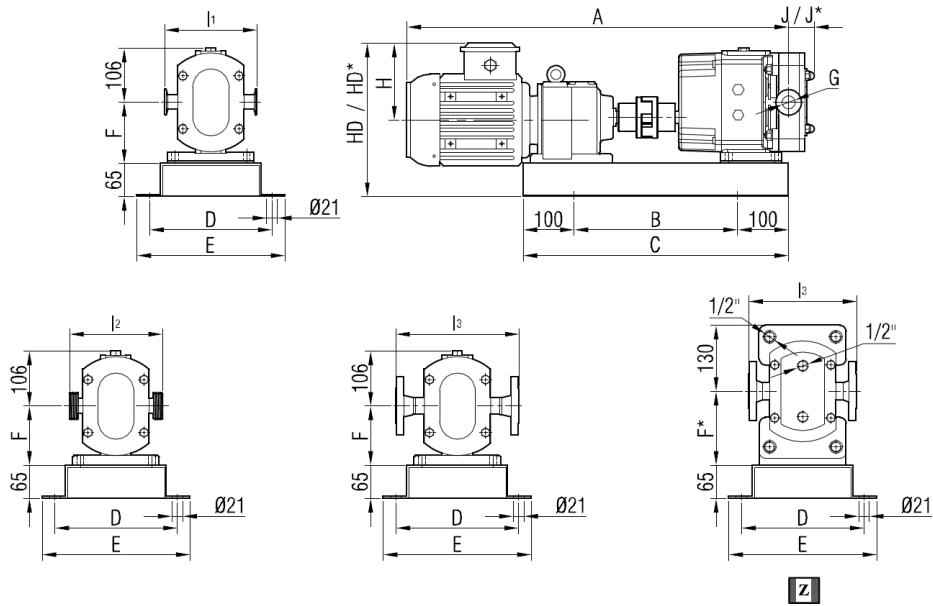


| | |
|----|-------------------------------------|
| X | Pump with Sanitary Clamp Connection |
| Z | Pump with Heating Jackets |
| W | Pump with Male Thread Connection |
| B | For Pump with Code 001 |
| B* | For Pump with Code 002 |

| Pump Code | A | B | B* | C | C* | D | E | G | H | I ₁ | I ₂ | J | K | M | N | O | P | R | S | T | kg | | | |
|-----------|------|-----|-----|----|----|-----|-----|-----|-----|----------------|----------------|----|----|----|----|----|-----|----|-----|------|----|--|--|--|
| YLP2 018 | DN40 | 270 | 295 | 57 | 71 | 198 | 231 | 170 | 115 | 167 | 190 | 13 | 61 | 90 | 45 | 30 | 6x6 | 22 | 143 | 1/2" | 32 | | | |
| | DN50 | | | | | | | | | | | | | | | | | | | | | | | |



Coupling Dimensions - Gearbox Drive::



***Add 25 mm to A dimension for 002 type pump.

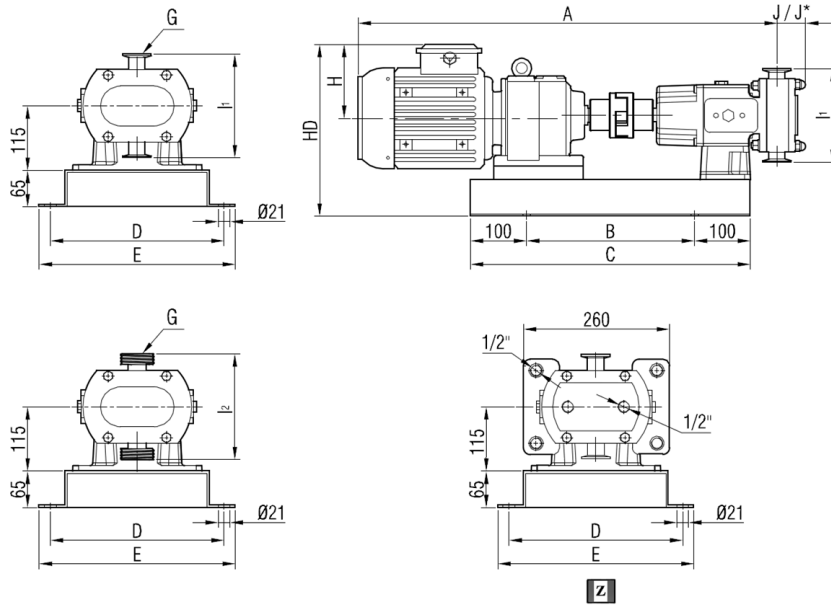
| Pump Code | G | I ₁ | I ₂ | I ₃ | J | J* | |
|-----------|-----|----------------|----------------|----------------|-----|----|----|
| YLP2 | 018 | DN40 | 167 | 190 | 250 | 57 | 71 |
| 001 | | DN50 | 222 | 249 | 269 | | |

| | |
|-------------------|-------------------------------------|
| I ₁ | Pump with Sanitary Clamp Connection |
| I ₂ | Pump with Male Thread Connection |
| I ₃ | Pump with Flange Connection |
| Z / HD* / F* / J* | Pump with Heating Jackets |

| Motor Power & Speed | A | HD | HD* | H | B | C | D | E | F | F* | Kg |
|-------------------------------|-----|-----|-----|-----|-----|-----|-----|-----|-----|-----|-----|
| 1 hp / 0.75 kw | 739 | 268 | 293 | 118 | | | | | 120 | 149 | 74 |
| 40/240 d/d (rpm) IRAM53/80M | | | | | | | | | | | |
| 1.5 hp / 1.1 kw | 752 | 282 | 307 | | 320 | 520 | 250 | 290 | | | 75 |
| 61/87 d/d (rpm) IRAM53/90S | | | | | | | | | | | |
| 1.5 hp / 1.1 kw | 731 | 279 | 308 | | | | | | 116 | 145 | 67 |
| 200/400 d/d (rpm) IRAM42/90S | | | | | | | | | | | |
| 2 hp / 1.5 kw | 834 | 301 | 301 | 132 | 420 | 620 | 310 | 350 | 145 | 174 | 98 |
| 40/98 d/d (rpm) IRAM63/90L | | | | | | | | | | | |
| 2 hp / 1.5 kw | 784 | 282 | 307 | | 320 | 520 | 250 | 290 | 120 | 149 | 76 |
| 120/480 d/d (rpm) IRAM52/90L | | | | | | | | | | | |
| 3 hp / 2.2 kw | 834 | 301 | 301 | | 420 | 620 | 310 | 350 | 145 | 174 | 102 |
| 55/98 d/d (rpm) IRAM63/C90L | | | | | | | | | | | |
| 3 hp / 2.2 kw | 814 | 291 | 316 | | 320 | 520 | 250 | 290 | 120 | 149 | 79 |
| 176/544 d/d (rpm) IRAM52/100L | | | | | | | | | | | |
| 4 hp / 3 kw | 871 | 310 | 310 | 141 | 420 | 620 | 310 | 350 | 145 | 174 | 165 |
| 68/245 d/d (rpm) IRAM62/100L | | | | | | | | | | | |
| 4 hp / 3 kw | 814 | 291 | 316 | | 320 | 520 | 250 | 290 | 120 | 149 | 83 |
| 265/556 d/d (rpm) IRAM52/100L | | | | | | | | | | | |



Coupling Dimensions - Gearbox Drive::



***Add 25 mm to A dimension for 002 type pump.

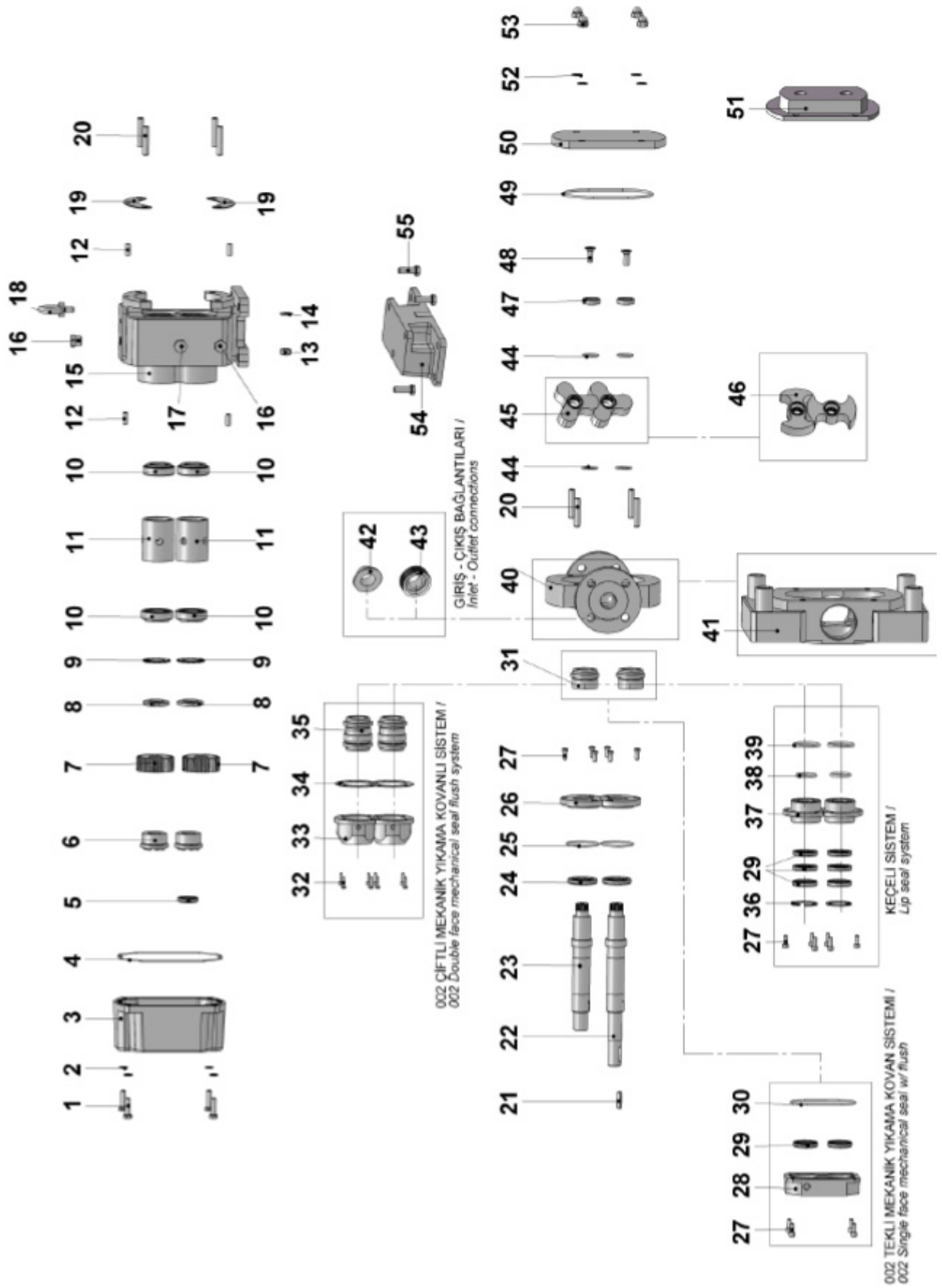
| Pump Code | G | I ₁ | I ₂ | J | J* |
|-----------|-----|----------------|----------------|-----|----|
| YLP2 001 | 018 | DN40 | 167 | 190 | 57 |
| | | DN50 | 222 | 249 | 71 |

| | |
|----------------|-------------------------------------|
| I ₁ | Pump with Sanitary Clamp Connection |
| I ₂ | Pump with Male Thread Connection |
| Z / J* | Pump with Heating Jackets |

| Motor Power & Speed | A | HD | H | B | C | D | E | Kg |
|-------------------------------|-----|-----|-----|-----|-----|-----|-----|----|
| 1 hp / 0.75 kw | 739 | 293 | 118 | | | | | 68 |
| 40/240 d/d (rpm) IRAM53/80M | | | | | | | | |
| 1.5 hp / 1.1 kw | 752 | 307 | | 300 | 500 | 310 | 350 | 72 |
| 61/87 d/d (rpm) IRAM53/90S | | | | | | | | |
| 1.5 hp / 1.1 kw | 731 | 308 | | | | | | 65 |
| 200/400 d/d (rpm) IRAM42/90S | | | | | | | | |
| 2 hp / 1.5 kw | 834 | 301 | 132 | 350 | 550 | 330 | 370 | 91 |
| 40/98 d/d (rpm) IRAM63/90L | | | | | | | | |
| 2 hp / 1.5 kw | 784 | 307 | | 300 | 500 | 310 | 350 | 73 |
| 120/480 d/d (rpm) IRAM52/90L | | | | | | | | |
| 3 hp / 2.2 kw | 834 | 301 | | 350 | 550 | 330 | 370 | 93 |
| 55/98 d/d (rpm) IRAM63/C90L | | | | | | | | |
| 3 hp / 2.2 kw | 814 | 316 | | 300 | 500 | 310 | 350 | 77 |
| 176/544 d/d (rpm) IRAM52/100L | | | | | | | | |
| 4 hp / 3 kw | 871 | 310 | 141 | 350 | 550 | 330 | 370 | 96 |
| 68/245 d/d (rpm) IRAM62/100L | | | | | | | | |
| 4 hp / 3 kw | 814 | 316 | | 300 | 500 | 310 | 350 | 80 |
| 265/556 d/d (rpm) IRAM52/100L | | | | | | | | |



Spare Parts List:





| No. | Part Name. | Qty. | No. | Part Name. | Qty. |
|-----|--|------|-----|--|------|
| 1 | Hex Socket M8x35 | 4 | 29 | Lip Seal $\varnothing 30 \times \varnothing 42 \times 7$ | 8 |
| 2 | M8 Washer | 4 | 30 | Flush O-Ring | 1 |
| 3 | Back Cover | 1 | 31 | Single Face Mechanical Seal | 2 |
| 4 | Back Cover O-Ring | 1 | 32 | Hex Socket M4x15 | 8 |
| 5 | Lip Seal $\varnothing 24 \times \varnothing 35 \times 7$ | 1 | 33 | Flush of Double Face Mechanical | 2 |
| 6 | Squeezer (CTL-350FM- $\varnothing 24$) | 2 | 34 | Flush Gasket of Double Face Mechanical Seal | 2 |
| 7 | Spur Gear | 2 | 35 | Double Face Mechanical Seal | 2 |
| 8 | Lock Nut M30x1.5 | 2 | 36 | Internal Circlip ($\varnothing 42$) | 2 |
| 9 | Lock Washer M30 | 2 | 37 | Flush of Lip Seal | 2 |
| 10 | Bearing 32006 | 4 | 38 | Outer O-Ring of Lip Seal Housing | 2 |
| 11 | Spacer | 2 | 39 | Front Face O-Ring of Lip Seal Housing | 2 |
| 12 | Pin $\varnothing 8 \times 25$ | 4 | 40 | Lobe Casing | 1 |
| 13 | M10 Nut | 4 | 41 | Jacketed Lobe Casing | 1 |
| 14 | M10 Washer | 4 | 42 | Ferrule | 2 |
| 15 | Casing | 1 | 43 | Rakor | 2 |
| 16 | Caps R3/8" | 2 | 44 | Lobe O-Ring | 4 |
| 17 | Oil Indicator R3/8" | 1 | 45 | Tri-Lobe | 2 |
| 18 | Eyebolt | 1 | 46 | Bi-Lobe | 2 |
| 19 | Adjusting Plate | 2 | 47 | Lobe Fastener | 2 |
| 20 | Studbolt M10x50 | 8 | 48 | Countersunk Head Screws M10x25 | 2 |
| 21 | Coupling Key 6x6x30 A | 1 | 49 | Cover O-Ring | 1 |
| 22 | Driving Shaft | 1 | 50 | Front Cover | 1 |
| 23 | Driven Shaft | 1 | 51 | Cover (w/Heating Jacket) | 1 |
| 24 | Lip Seal $\varnothing 36 \times \varnothing 50 \times 7$ | 2 | 52 | M10 Washer | 4 |
| 25 | Bearing Cover O-Ring | 2 | 53 | M10 Domed Cap Nut | 4 |
| 26 | Bearing Cover | 2 | 54 | Horizontal Pump Foot | 1 |
| 27 | Hex Socket M6x15 | 10 | 55 | Hex Bolt M10x30 | 3 |
| 28 | Flush of Single Face Mechanical Seal | 1 | | | |