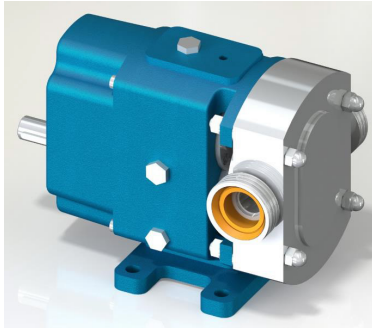




## GQT 1½" Rotary Lobe Pump



**Performance:**

Flow rate	10.3 m³/h
Pressure	1 - 8 bar
Temperature	0 - 150 °C
Speed	1 - 750 d/d
Viscosity	150 - 250000 SSU

- 1½" Standard Port Size
- 2" Enlarged Port Size

**Technical Features:**

- ✓ Rotary lobe pump
- ✓ 1½" threaded ports
- ✓ Suitable for hygienic applications involving food
- ✓ Good clean in place qualities
- ✓ Gentle, low pulsation pumping mechanism
- ✓ Compact design
- ✓ Various material options
- ✓ Various sealing options
- ✓ Available with sanitary clamp connection and heating jacket
- ✓ Motor or gearbox drive available
- ✓ 230v, three phase 50/60hz motors available
- ✓ Manufactured according to CE regulations

**Applications:**

- ✓ Sanitary and hygienic applications
- ✓ Shear sensitive products
- ✓ Food processing
- ✓ Pharmaceutical
- ✓ Chemical
- ✓ Paper and pulp
- ✓ Gels and greases
- ✓ Paint and dyes

**Material Options:**

- ✓ Pump body & cover: Cast iron
- ✓ Lobe casing & lobes: Steel cast, stainless AISI 304 / 316
- ✓ Bearings: Bearing
- ✓ Sealing: Mechanical seal, lip seal

Capacity & Power Table

Capacity	Speed (rpm)	Pressure			Viscosity
		0 Bar	3.5 Bar	7 Bar	
1.25	100	1 HP	1 HP	1.5 HP	75000 SSU
2.5	200	1.5 HP	2 HP	3 HP	75000 SSU
6	500	3 HP	4 HP	5.5 HP	15000 SSU
7.5	750	3 HP	4 HP	5.5 HP	2500 SSU
8.4	750	2 HP	4 HP	5.5 HP	500 SSU
10	900	2 HP	4 HP	5.5 HP	150 SSU

Motor Powers	
2 HP	900 d/d (rpm)
Motor Body	
100	

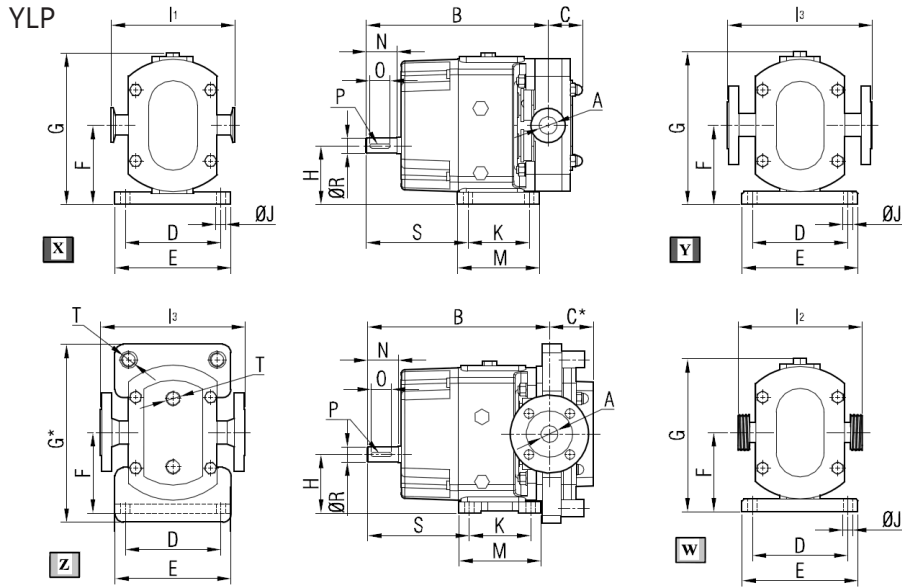
Motor Powers	
2 HP	750 d/d (rpm)
3 HP	900 d/d (rpm)
Motor Body	
112	

Motor Powers	
3 HP	750 d/d (rpm)
4 HP	750 d/d (rpm)
4 HP	900 d/d (rpm)
5.5 HP	900 d/d (rpm)
Motor Body	
132	

Motor Powers	
5.5 HP	750 d/d (rpm)
Motor Body	
160	

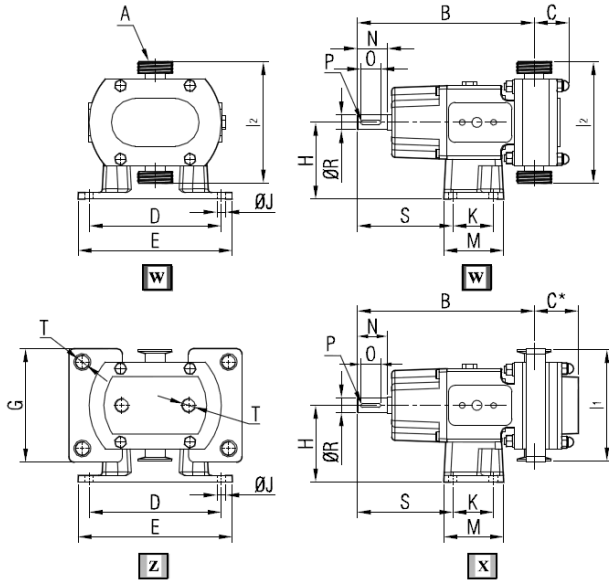


## Pump Dimensions:



X	Pump with Sanitary Clamp Connection
Y	Pump with Flange Connection
Z	Pump with Heating Jackets
W	Pump with Male Thread Connection
B	For Pump with Code 001
B*	For Pump with Code 002

Pump Code	A	B	B*	C	C*	D	E	F	G	G*	H	I <sub>1</sub>	I <sub>2</sub>	I <sub>3</sub>	J	K	M	N	O	P	R	S	T	kg
YLP2 023	DN40	275	300	62	76	140	170	116	222	260	86	167	190	268	14	90	120	45	30	6x6	22	149	1/2"	36
	DN50												194	280										37

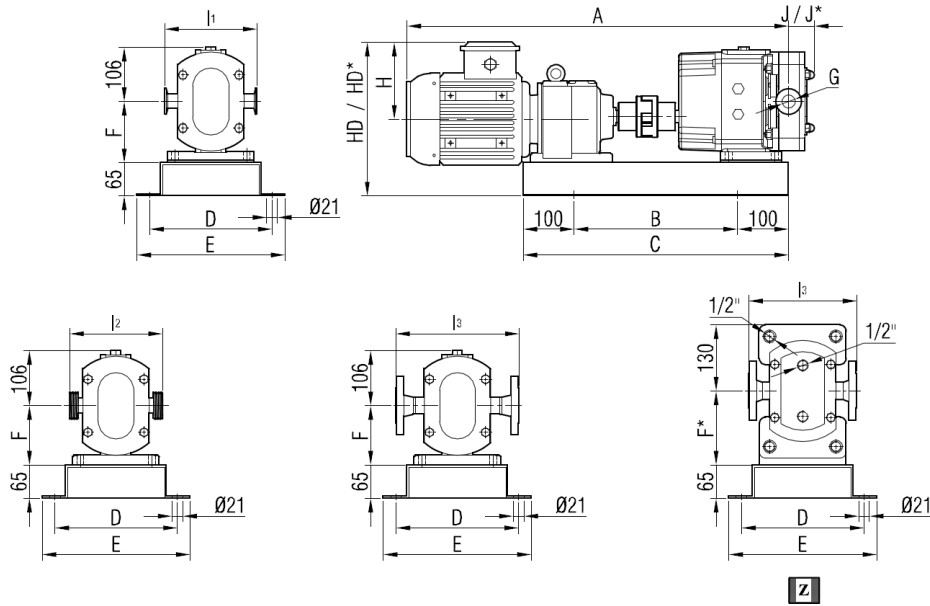


X	Pump with Sanitary Clamp Connection
Z	Pump with Heating Jackets
W	Pump with Male Thread Connection
B	For Pump with Code 001
B*	For Pump with Code 002

Pump Code	A	B	B*	C	C*	D	E	G	H	I <sub>1</sub>	I <sub>2</sub>	J	K	M	N	O	P	R	S	T	kg		
YLP2 023	DN40	275	300	62	76	198	231	170	115	167	190	13	61	90	45	30	6x6	22	143	1/2"	34		
	DN50										194												



## Coupling Dimensions - Gearbox Drive::



\*\*\*Add 25 mm to A dimension for 002 type pump.

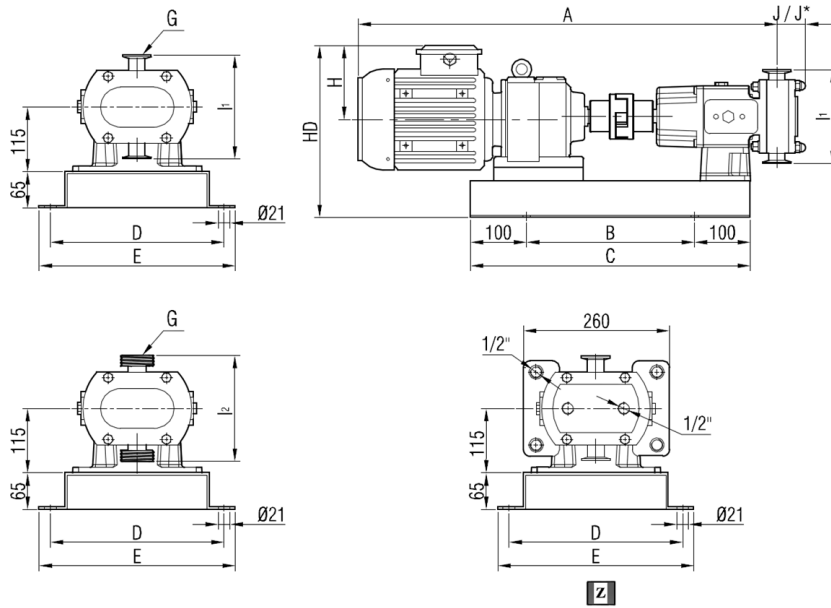
Pump Code	G	I <sub>1</sub>	I <sub>2</sub>	I <sub>3</sub>	J	J*	
YLP2 001	023	DN40	167	190	268	62	76
		DN50	167	194	280		

I <sub>1</sub>	Pump with Sanitary Clamp Connection
I <sub>2</sub>	Pump with Male Thread Connection
I <sub>3</sub>	Pump with Flange Connection
Z / HD* / F* / J*	Pump with Heating Jackets

Motor Power & Speed	A	HD	HD*	H	B	C	D	E	F	F*	Kg
1 hp / 0.75 kw	744	268	293	118					120	149	74
40/240 d/d (rpm) IRAM53/80M											
1.5 hp / 1.1 kw	758	282	307		320	520	250	290			77
61/87 d/d (rpm) IRAM53/90S											
1.5 hp / 1.1 kw	736	279	308						116	145	69
200/400 d/d (rpm) IRAM42/90S											
2 hp / 1.5 kw	839	301	301	132	420	620	310	350	145	174	100
40/98 d/d (rpm) IRAM63/90L											
2 hp / 1.5 kw	789	282	307		320	520	250	290	120	149	78
120/480 d/d (rpm) IRAM52/90L											
3 hp / 2.2 kw	839	301	301		420	620	310	350	145	174	104
55/98 d/d (rpm) IRAM63/C90L											
3 hp / 2.2 kw	819	291	316		320	520	250	290	120	149	82
176/544 d/d (rpm) IRAM52/100L											
4 hp / 3 kw	876	310	310	141	420	620	310	350	145	174	107
68/245 d/d (rpm) IRAM62/100L											
4 hp / 3 kw	819	291	316		320	520	250	290	120	149	85
265/556 d/d (rpm) IRAM52/100L											



## Coupling Dimensions - Gearbox Drive::



\*\*\*Add 25 mm to A dimension for 002 type pump.

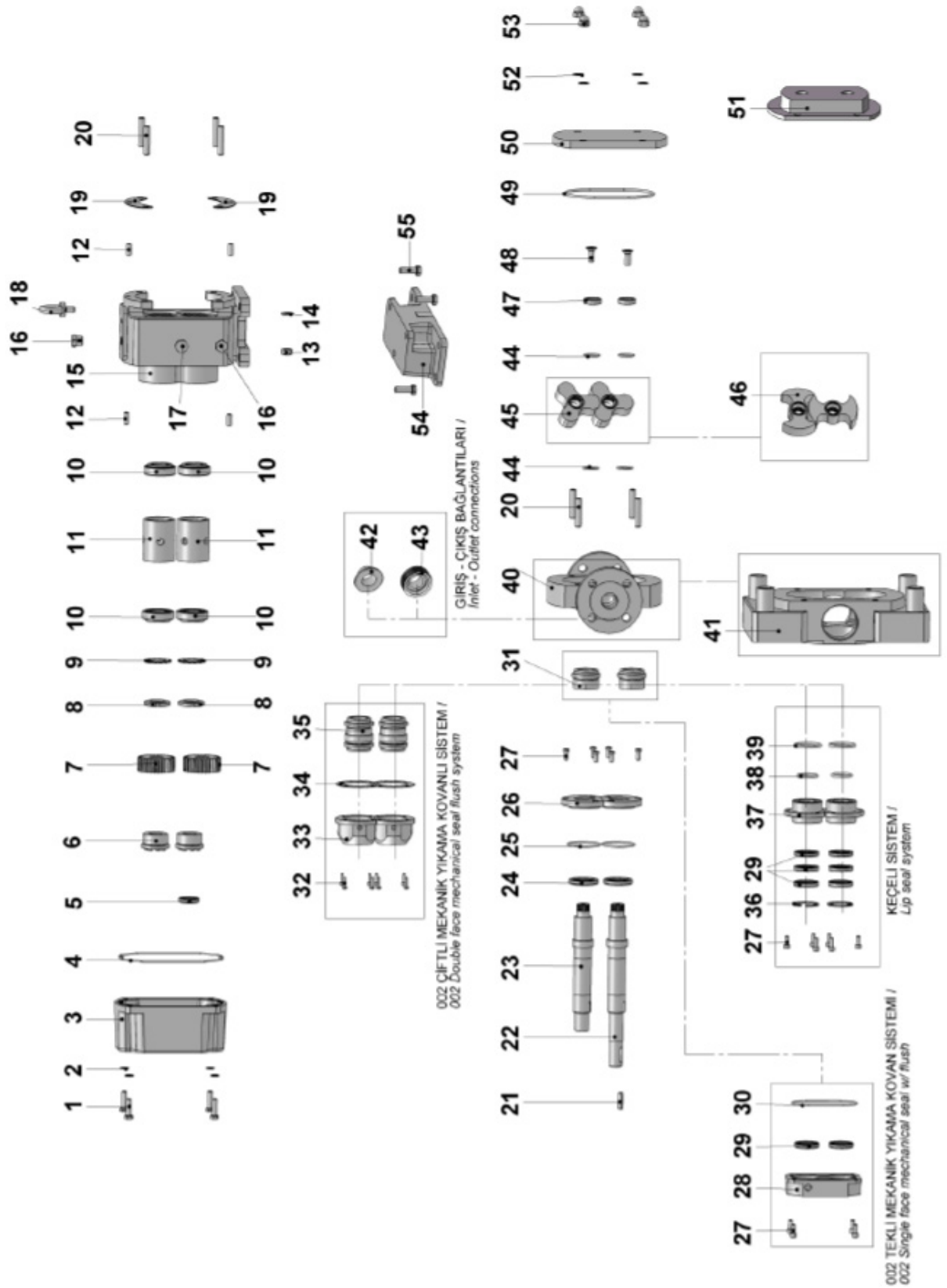
Pump Code	G	I <sub>1</sub>	I <sub>2</sub>	J	J*
YLP2	023	DN40	167	190	62
001		DN50	167	194	

I <sub>1</sub>	Pump with Sanitary Clamp Connection
I <sub>2</sub>	Pump with Male Thread Connection
Z / J*	Pump with Heating Jackets

Motor Power & Speed	A	HD	H	B	C	D	E	Kg
1 hp / 0.75 kw	744	293	118					69
40/240 d/d (rpm)								
1.5 hp / 1.1 kw	758	307		300	500	310	350	74
61/87 d/d (rpm)								
1.5 hp / 1.1 kw	736	308						66
200/400 d/d (rpm)								
2 hp / 1.5 kw	839	301	132	350	550	330	370	92
40/98 d/d (rpm)								
2 hp / 1.5 kw	789	307		300	500	310	350	75
120/480 d/d (rpm)								
3 hp / 2.2 kw	839	301		350	550	330	370	94
55/98 d/d (rpm)								
3 hp / 2.2 kw	819	316		300	500	310	350	79
176/544 d/d (rpm)								
4 hp / 3 kw	876	310	141	350	550	330	370	97
68/245 d/d (rpm)								
4 hp / 3 kw	819	316		300	500	310	350	82
265/556 d/d (rpm)								



## Spare Parts List:





No.	Part Name.	Qty.	No.	Part Name.	Qty.
1	Hex Socket M8x35	4	29	Lip Seal $\varnothing 30 \times \varnothing 42 \times 7$	8
2	M8 Washer	4	30	Flush O-Ring	1
3	Back Cover	1	31	Single Face Mechanical Seal	2
4	Back Cover O-Ring	1	32	Hex Socket M4x15	8
5	Lip Seal $\varnothing 24 \times \varnothing 35 \times 7$	1	33	Flush of Double Face Mechanical	2
6	Squeezer (CTL-350FM- $\varnothing 24$ )	2	34	Flush Gasket of Double Face Mechanical Seal	2
7	Spur Gear	2	35	Double Face Mechanical Seal	2
8	Lock Nut M30x1.5	2	36	Internal Circlip ( $\varnothing 42$ )	2
9	Lock Washer M30	2	37	Flush of Lip Seal	2
10	Bearing 32006	4	38	Outer O-Ring of Lip Seal Housing	2
11	Spacer	2	39	Front Face O-Ring of Lip Seal Housing	2
12	Pin $\varnothing 8 \times 25$	4	40	Lobe Casing	1
13	M10 Nut	4	41	Jacketed Lobe Casing	1
14	M10 Washer	4	42	Ferrule	2
15	Casing	1	43	Rakor	2
16	Caps R3/8"	2	44	Lobe O-Ring	4
17	Oil Indicator R3/8"	1	45	Tri-Lobe	2
18	Eyebolt	1	46	Bi-Lobe	2
19	Adjusting Plate	2	47	Lobe Fastener	2
20	Studbolt M10x50	8	48	Countersunk Head Screws M10x25	2
21	Coupling Key 6x6x30 A	1	49	Cover O-Ring	1
22	Driving Shaft	1	50	Front Cover	1
23	Driven Shaft	1	51	Cover (w/Heating Jacket)	1
24	Lip Seal $\varnothing 36 \times \varnothing 50 \times 7$	2	52	M10 Washer	4
25	Bearing Cover O-Ring	2	53	M10 Domed Cap Nut	4
26	Bearing Cover	2	54	Horizontal Pump Foot	1
27	Hex Socket M6x15	10	55	Hex Bolt M10x30	3
28	Flush of Single Face Mechanical Seal	1			