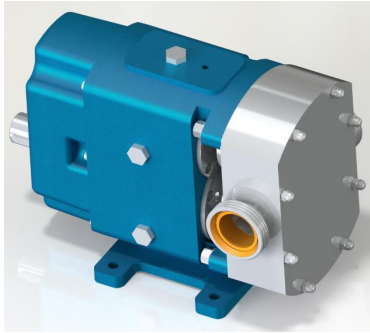




GQT 2½" Rotary Lobe Pump



Performance:

Flow rate	39 m ³ /h
Pressure	1 - 8 bar
Temperature	0 - 150 °C
Speed	1 - 500 d/d
Viscosity	150 - 250000 SSU

- 2½" Standard Port Size
- 3" Enlarged Port Size

Technical Features:

- ✓ Rotary lobe pump
- ✓ 2½" threaded ports
- ✓ Suitable for hygienic applications involving food
- ✓ Good clean in place qualities
- ✓ Gentle, low pulsation pumping mechanism
- ✓ Compact design
- ✓ Various material options
- ✓ Various sealing options
- ✓ Available with sanitary clamp connection and heating jacket
- ✓ Motor or gearbox drive available
- ✓ 230v, three phase 50/60hz motors available
- ✓ Manufactured according to CE regulations

Applications:

- ✓ Sanitary and hygienic applications
- ✓ Shear sensitive products
- ✓ Food processing
- ✓ Pharmaceutical
- ✓ Chemical
- ✓ Paper and pulp
- ✓ Gels and greases
- ✓ Paint and dyes

Material Options:

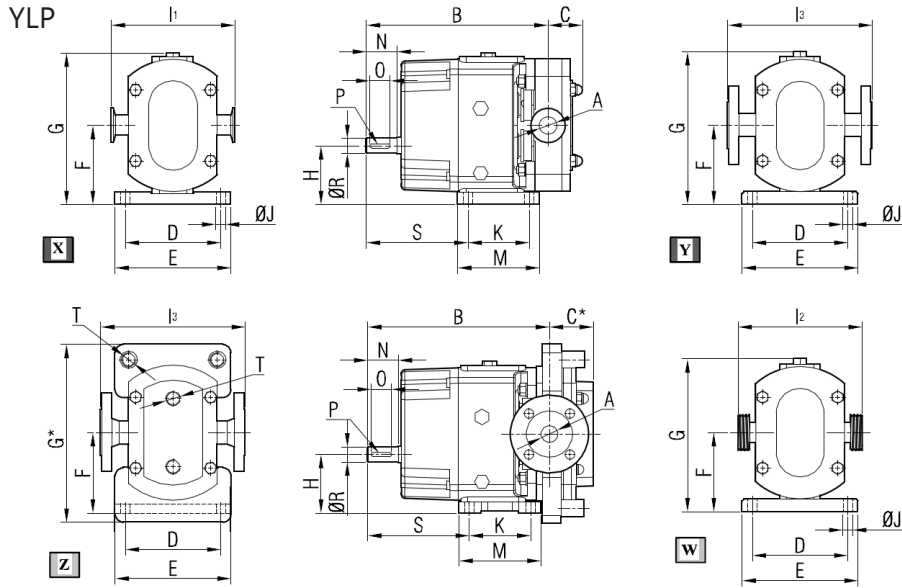
- ✓ Pump body & cover: Cast iron
- ✓ Lobe casing & lobes: Steel cast, stainless AISI 304 / 316
- ✓ Bearings: Bearing
- ✓ Sealing: Mechanical seal, lip seal

Capacity & Power Table

Capacity	Speed (rpm)	Pressure			Viscosity
		0 Bar	3.5 Bar	7 Bar	
2.3	30	1.5 HP	2 HP	2 HP	250000 SSU
4.6	60	3 HP	3 HP	4 HP	250000 SSU
7.7	100	3 HP	4 HP	5.5 HP	75000 SSU
11.6	150	4 HP	5.5 HP	7.5 HP	75000 SSU
19.3	250	4 HP	7.5 HP	10 HP	15000 SSU
23.3	300	4 HP	7.5 HP	10 HP	2500 SSU
25	350	4 HP	7.5 HP	10 HP	500 SSU
29	400	4 HP	10 HP	15 HP	150 SSU

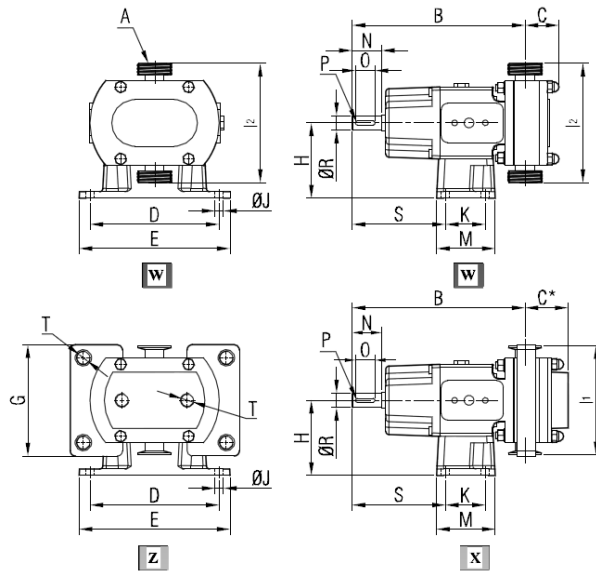


Pump Dimensions:



X	Pump with Sanitary Clamp Connection
Y	Pump with Flange Connection
Z	Pump with Heating Jackets
W	Pump with Male Thread Connection
B	For Pump with Code 001
B*	For Pump with Code 002

Pump Code	A	B	B*	C	C*	D	E	F	G	G*	H	I ₁	I ₂	I ₃	J	K	M	N	O	P	R	S	T	kg
YLP5 130	DN65	451	476	83	107	216	260	187	364	392	127	268	292	350	17	172	216	72	56	14x9	45	244	1"	134
	DN80												302											135

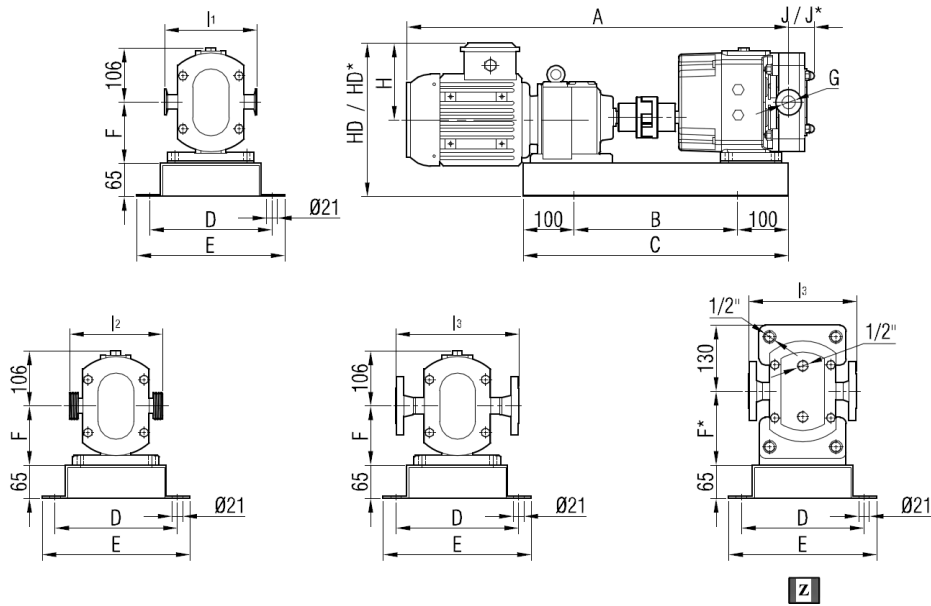


X	Pump with Sanitary Clamp Connection
Z	Pump with Heating Jackets
W	Pump with Male Thread Connection
B	For Pump with Code 001
B*	For Pump with Code 002

Pump Code	A	B	B*	C	C*	D	E	G	H	I ₁	I ₂	J	K	M	N	O	P	R	S	T	kg
YLP5 130	DN65	451	476	83	107	278	310	274	180	268	292	13	139	171	72	56	14x9	45	210	1"	128
	DN80										302										



Coupling Dimensions - Gearbox Drive::



***Add 25 mm to A dimension for 002 type pump.

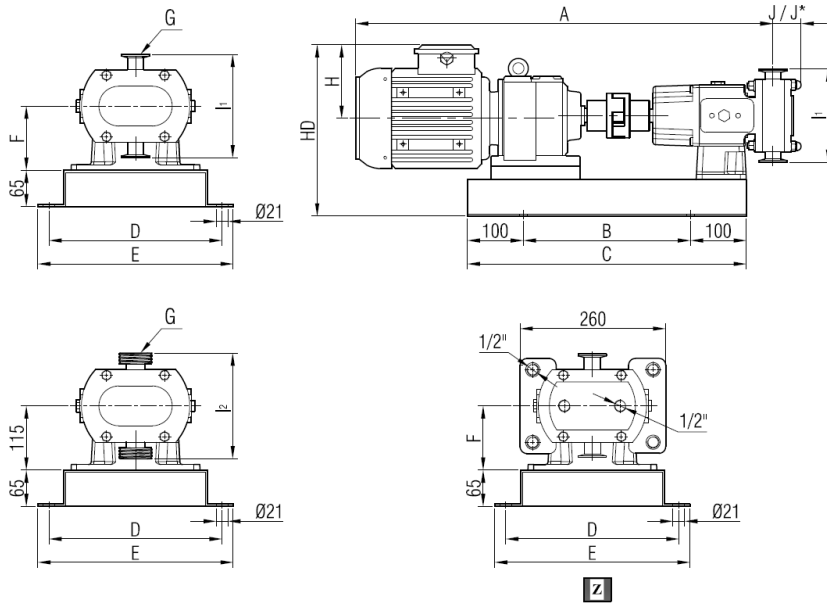
Pump Code	G	I ₁	I ₂	I ₃	J	J*
YLP5	130	DN65	268	292	350	83 107
001		DN80	268	302	350	

I ₁	Pump with Sanitary Clamp Connection
I ₂	Pump with Male Thread Connection
I ₃	Pump with Flange Connection
Z / HD* / F* / J*	Pump with Heating Jackets

Motor Power & Speed	A	HD	HD*	H	B	C	D	E	F	F*	Kg
5.5 hp / 4 kw	1125	338	378	149	650	850	340	380	200		230
55/95 d/d (rpm) IRAM72/112M											
5.5 hp / 4 kw	1082	330	383	182	580	780	340	380	187		213
104/480 d/d (rpm) IRAM62/112M											
7.5 hp / 5.5 kw	1265	403	403	182	750	950	420	460	240		291
43/91 d/d (rpm) IRAM83/132S											
7.5 hp / 5.5 kw	1170	371	411	182	650	850	340	380	200		241
104/465 d/d (rpm) IRAM72/132S											
10 hp / 7.5 kw	1216	371	411	182	650	850	340	380	200		252
130/465 d/d (rpm) IRAM73/132M											
15 hp / 11 kw	1216	371	411	182	650	850	340	380	200		254
200/465 d/d (rpm) IRAM72/C132M											
20 hp / 15 kw	1413	456	456	225	750	950	420	460	240	240	398
131/456 d/d (rpm) IRAM82/160L											
20 hp / 15 kw	1480	494	494	225	850	1050	420	460	285	285	427
68/139 d/d (rpm) IRAM92/160L											
25 hp / 18.5 kw	1425	480	480	248	750	950	420	460	240	240	418
188/456 d/d (rpm) IRAM82/180M											
25 hp / 18.5 kw	1516	510	510	241	850	1050	420	460	285	285	447
85/185 d/d (rpm) IRAM92/180M											



Coupling Dimensions - Gearbox Drive::



***Add 25 mm to A dimension for 002 type pump.

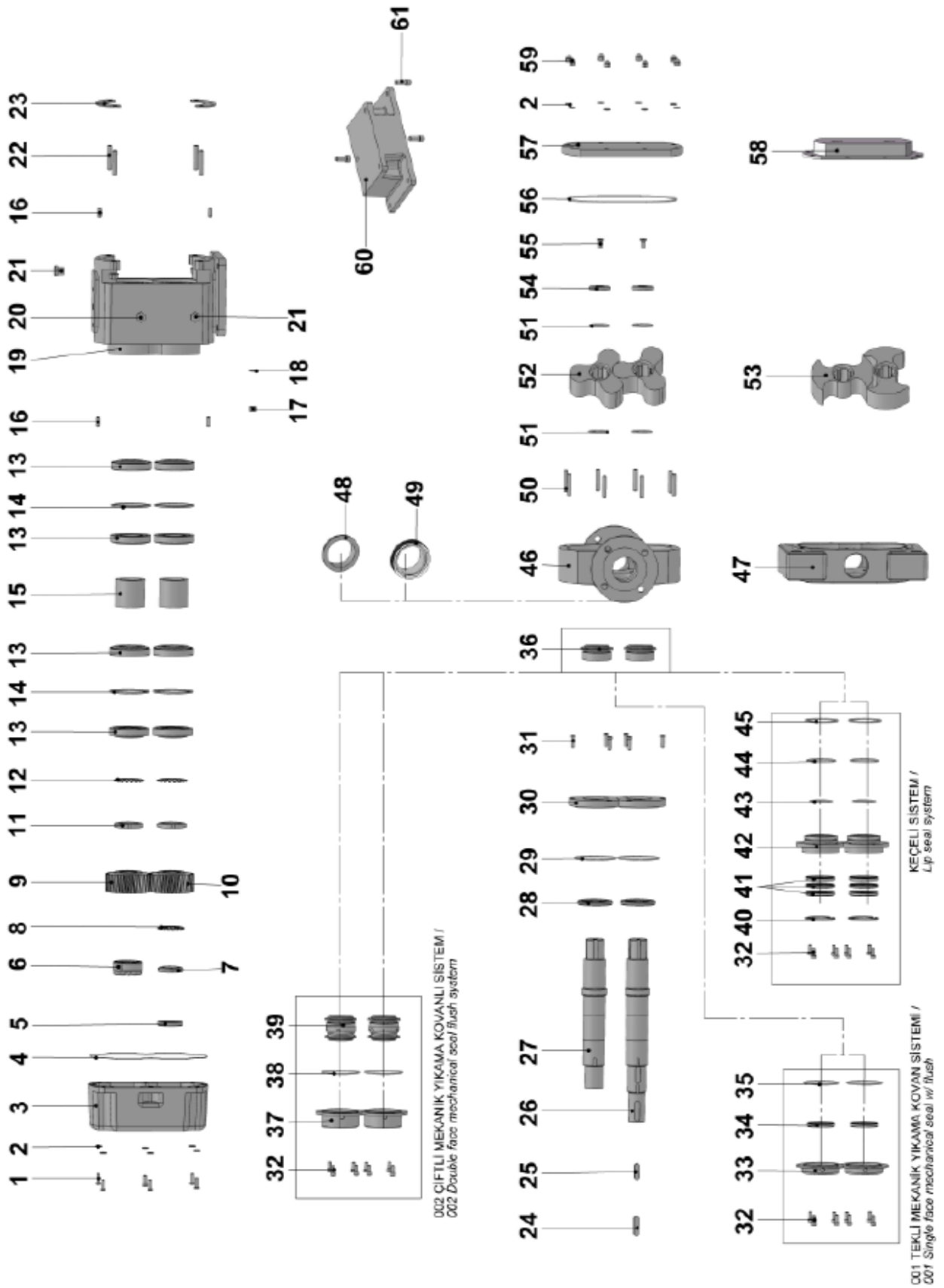
Pump Code	G	I ₁	I ₂	J	J*	
YLP5	130	DN65	268	292	83	107
001		DN80	268	302		

I ₁	Pump with Sanitary Clamp Connection
I ₂	Pump with Male Thread Connection
Z / J*	Pump with Heating Jackets

Motor Power & Speed	A	HD	H	B	C	D	E	F	Kg
5.5 hp / 4 kw	1125	378	149	650	760	410	450	180	225
55/95 d/d (rpm) IRAM72/112M				580	700				209
5.5 hp / 4 kw	1082			750	860	460	500		278
104/480 d/d (rpm) IRAM62/112M									
7.5 hp / 5.5 kw	1265	403	182	650	760	410	450	180	236
43/91 d/d (rpm) IRAM83/132S									247
7.5 hp / 5.5 kw	1170	411							249
104/465 d/d (rpm) IRAM72/132S									
10 hp / 7.5 kw	1216	467	225	750	860	460	500	225	418
130/465 d/d (rpm) IRAM72/132M									
15 hp / 11 kw	1413	494	248	750	860	460	500	180	405
200/465 d/d (rpm) IRAM72/C132M									
20 hp / 15 kw	1480			850	950				438
68/139 d/d (rpm) IRAM92/160L									
25 hp / 18.5 kw	1425	470	241	850	950			225	438
188/456 d/d (rpm) IRAM82/180M									
25 hp / 18.5 kw	1516	510							
85/185 d/d (rpm) IRAM92/180M									



Spare Parts List:





No.	Part Name.	Qty.
1	Hex Socket M10x40	6
2	M10 Washer	14
3	Back Cover	1
4	Back Cover O-Ring	1
5	Lip Seal $\varnothing 45 \times \varnothing 70 \times 10$	1
6	Squeezer 50	1
7	Lock Nut M50x1.5	1
8	Lock Washer M50	1
9	Left Helical Gear	1
10	Right Helical Gear	1
11	Lock Nut M60x2	2
12	Lock Washer M60	2
13	Bearing 30212 A	8
14	Bearing Spacer Sheet Material	4
15	Spacer	2
16	Pin $\varnothing 10 \times 30$	4
17	M12 Nut	4
18	M12 Washer	4
19	Casing	1
20	Oil Indicator R1/2"	1
21	Caps R1/2"	2
22	Studbolt M12x60	4
23	Adjusting Plate	2
24	Coupling Key 14x9x56 A	1
25	Gear Key 14x9x46 A	1
26	Driving Shaft	1
27	Driven Shaft	1
28	Lip Seal $\varnothing 68 \times \varnothing 95 \times 10$	2
29	Bearing Cover O-Ring	2
30	Bearing Cover	2
31	Hex Socket M8x30	6

No.	Part Name.	Qty.
32	Hex Socket M8x20	24
33	Flush Of Single Face Mechanical Seal	2
34	Lip Seal $\varnothing 60 \times \varnothing 75 \times 8$	2
35	Flush O-Ring	2
36	Mechanical Seal	2
37	Flush Of Double Face Mechanical	2
38	Flush Casing Of Double Face Mechanical Seal	2
39	Double Face Mechanical Seal	2
40	Internal Circlip ($\varnothing 80$)	2
41	Lip Seal $\varnothing 60 \times \varnothing 80 \times 8$	6
42	Flush Of Lip Seal	2
43	Inner O-Ring Of Lip Seal Housing	2
44	Outer O-Ring Of Lip Seal Housing	2
45	Front Face O-Ring Of Lip Seal Housing	2
46	Lobe Casing	1
47	Jacketed Lobe Casing	1
48	Ferrule	2
49	Rakor	2
50	Studbolt M10x50	8
51	Lobe O-Ring	4
52	Tri-Lobe	2
53	Bi-Lobe	2
54	Shaft Nut	2
55	Countersunk Head Screws M12x30	2
56	Cover O-Ring	1
57	Cover	1
58	Cover (w/ Heating Jacket)	1
59	M10 Domed Cap Nut	8
60	Horizontal Pump Foot	1
61	Hex Bolt M12x30	3