



2" GRRJ Internal Eccentric Gear Pump



Performance:

Flow rate	11.6 m ³ /h
Pressure	1 - 14 bar
Temperature	0 - 200 °C
Speed	500 d/d
Viscosity	100 - 250000 SSU

Technical Features:

- ✓ Internal eccentric gear pump
- ✓ 2" threaded ports
- ✓ Compact design
- ✓ Reliable construction thanks to only two moving parts
- ✓ Various material options
- ✓ Available with external bypass, jacketed and blind cover
- ✓ 230v, three phase 50/60hz motors available
- ✓ Gearbox and belt pulley drive available
- ✓ Manufactured according to CE regulations

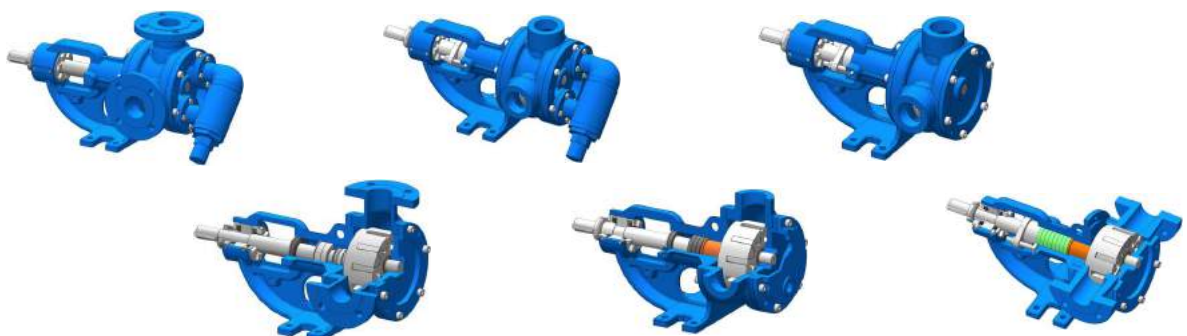
Applications:

- ✓ Fuel oil, diesel fuel and gas oil transfer
- ✓ Small scale thermal oil applications including Marlotherm, Duratherm, Paratherm, Multitherm, Mobiltherm and Dowtherm
- ✓ Lubrication applications
- ✓ Coolant transfer
- ✓ Any transfer of low to medium viscosity fluids with lubricating properties
- ✓ Not suitable for fluids containing abrasive particles

Material Options:

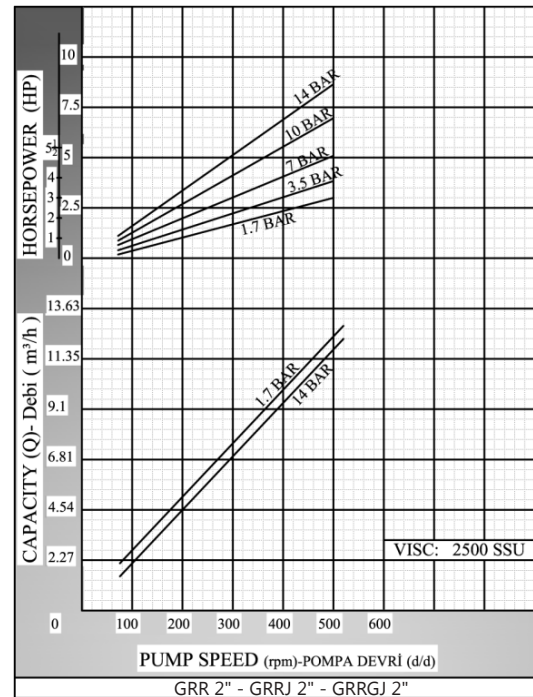
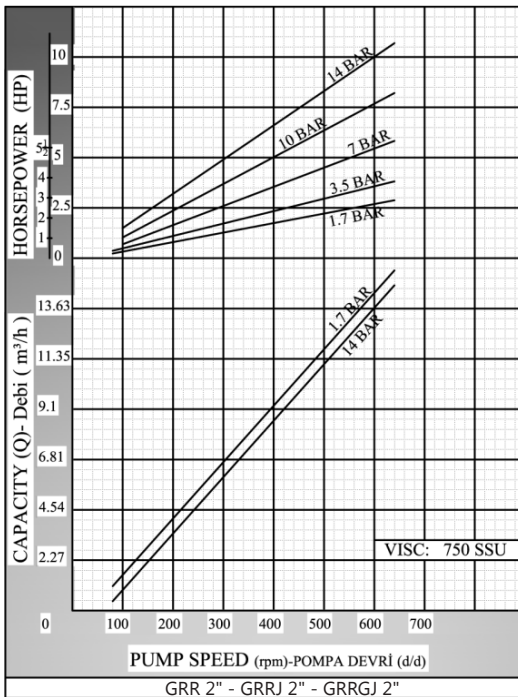
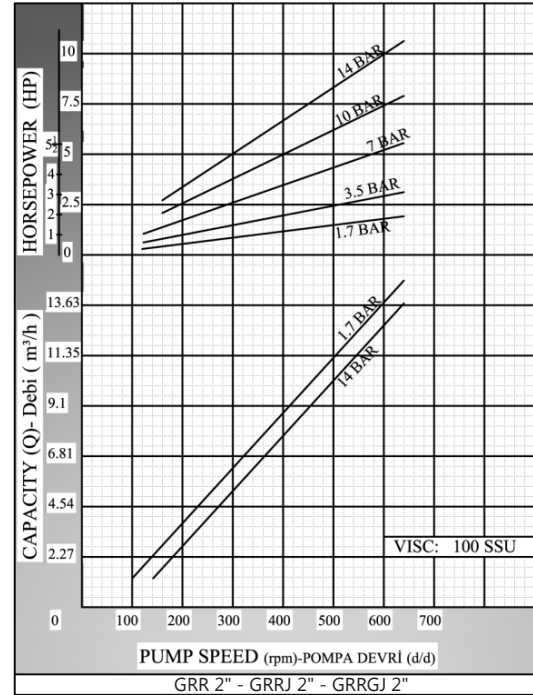
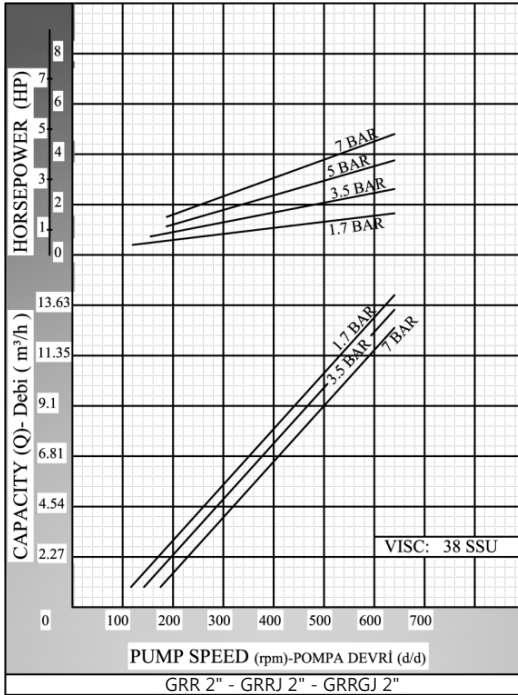
- ✓ Pump body, covers: Pig cast iron, Spheroidal cast iron, cast steel, AISI 304/316 CrNi Stainless Steel
- ✓ Gears: Spheroidal cast iron, cast steel, AISI 304/316 CrNi Stainless Steel
- ✓ Bearings: Snbz 12 bronze, carbon graphite, silicon carbide, hard metal coated steel, bearing
- ✓ Sealing: Soft seal or packing gland, Rotatherm seal, lip seal, mechanical seal, cartridge type mechanical seal

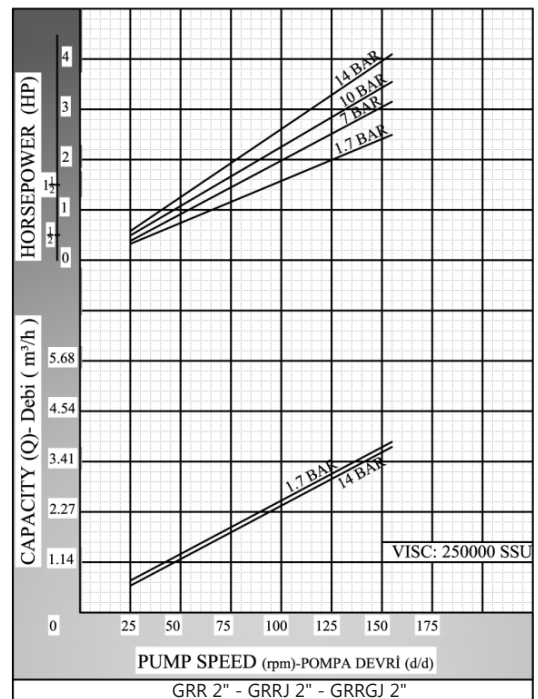
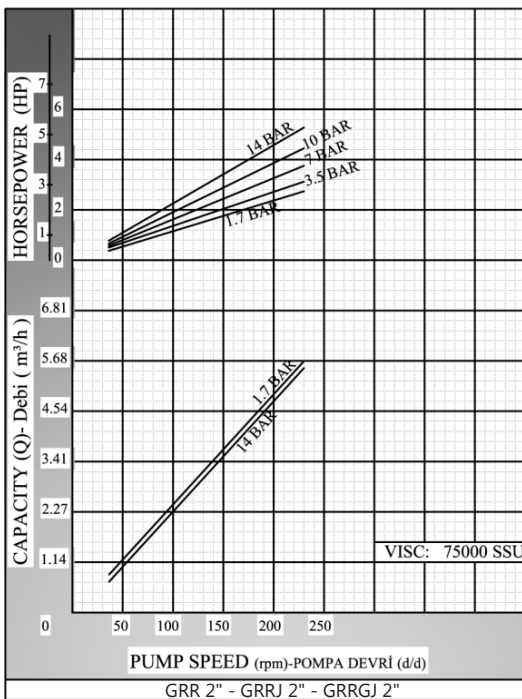
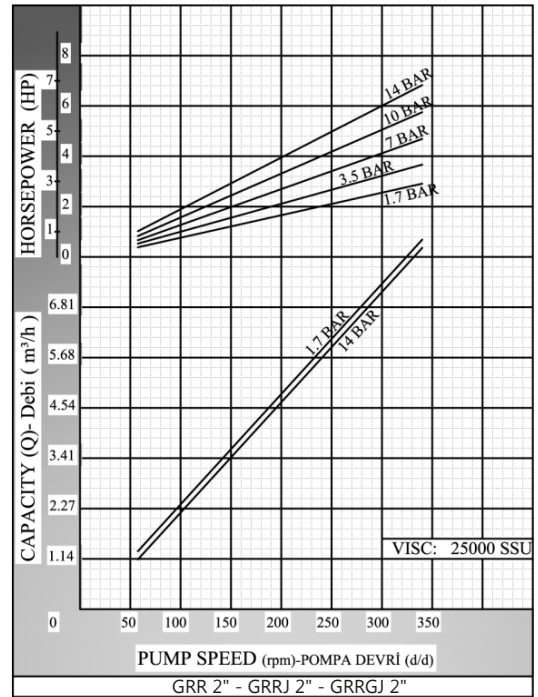
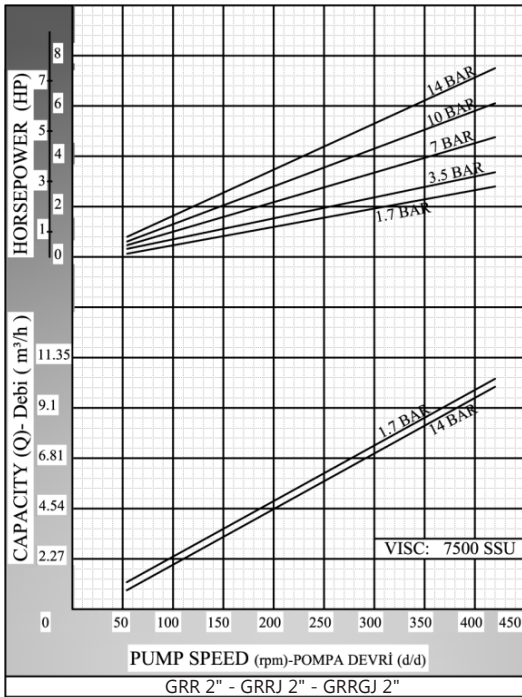
Capacity & Power Table						
Capacity (Q)	Speed (rpm)	Pressure				Viscosity
		3 Bar	6 Bar	9 Bar	12 Bar	
0.9	40	0.5 HP	0.75 HP	1 HP	1.5 HP	75000 SSU
1.2	60	0.75 HP	1 HP	1.5 HP	2 HP	25000 SSU
1.7	100	1 HP	1.5 HP	2 HP	2 HP	25000 SSU
6.3	280	3 HP	3 HP	4 HP	5.5 HP	7500 SSU
7.8	340	3 HP	4 HP	5.5 HP	5.5 HP	2500 SSU
10.5	450	3 HP	4 HP	5.5 HP	7.5 HP	750 SSU





Pump Dimensions - Capacity Graphs:

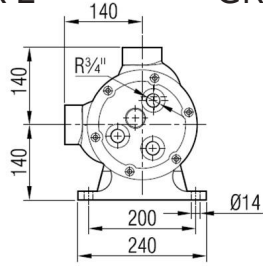




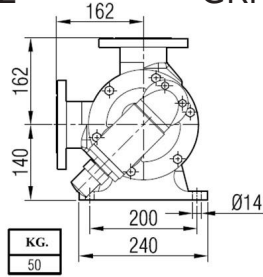


Pump Dimensions:

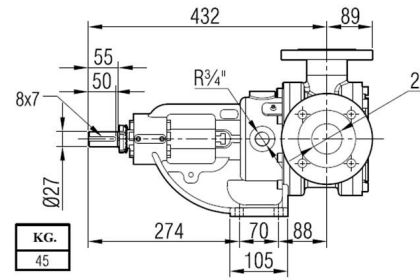
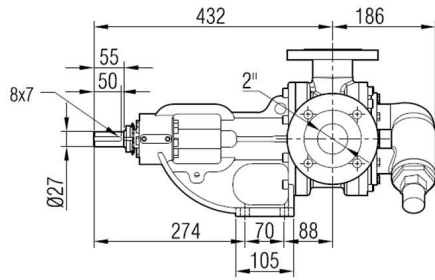
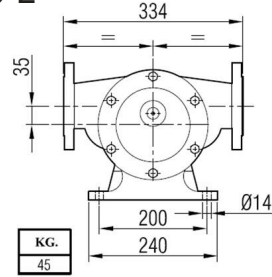
GRR 2"



GRRJ 2"

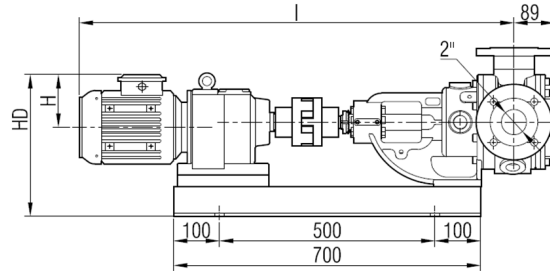
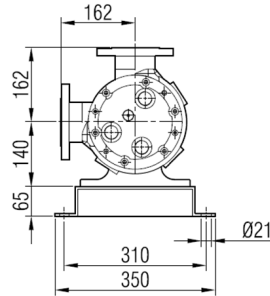


GRRGJ 2"

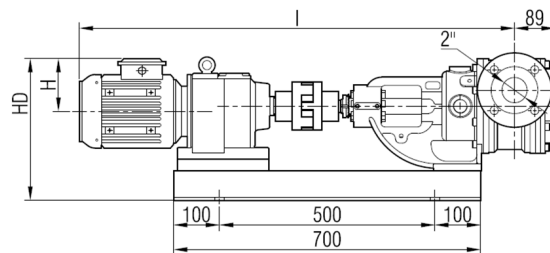
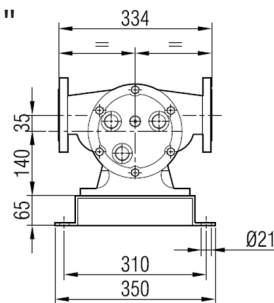


Coupling Dimensions - Gearbox drive:

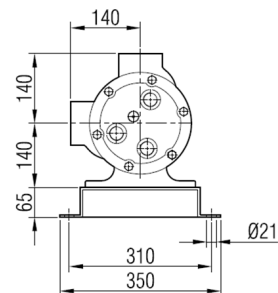
GRRJ 2"



GRRGJ 2"



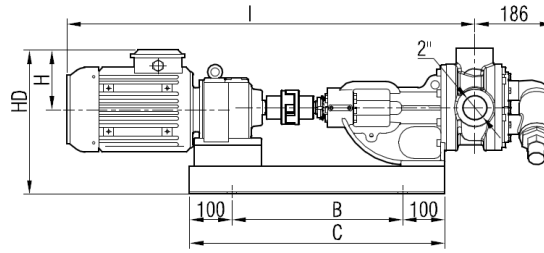
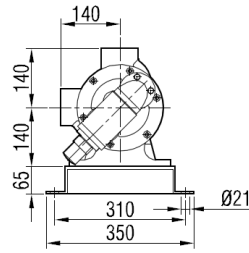
GRR 2"



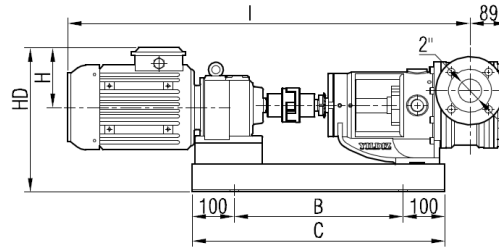
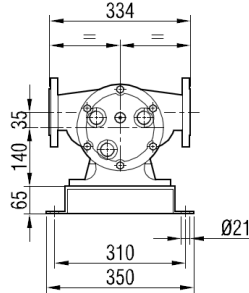
Motor Power & Speed		I	HD	H	Kg	
1 hp / 0.75 kw		950	311	118	115	
20/55 d/d (rpm)	IRAM63/80M					
1.5 hp / 1.1 kw		976	325	132	118	
27/104 d/d (rpm)	IRAM63/90S					
2 hp / 1.5 kw		1001	334	141	120	
33/98 d/d (rpm)	IRAM63/90L					
3 - 4 hp / 2.2 - 3 kw		1042	334	141	124	127
47/98 d/d (rpm)	IRAM63/100L					
5.5 hp / 4 kw		1063	342	149	129	
101/126 d/d (rpm)	IRAM63/112M					



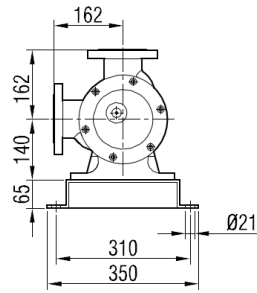
GRR 2"



GRRGJ 2"



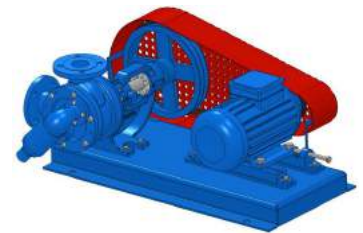
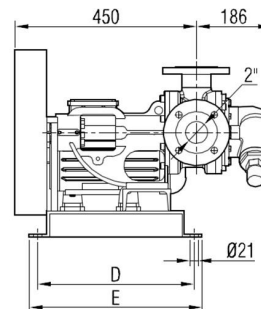
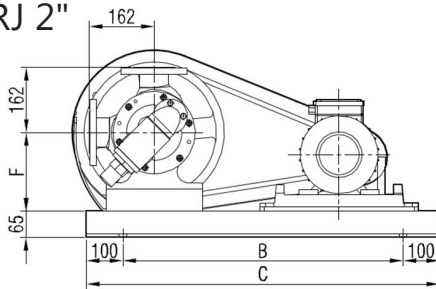
GRRJ 2"



Motor Power & Speed		I	HD	H	B	C	Kg	
1.5 hp / 1.1 kw		918	332	132	420	620	98	
60/380 d/d (rpm)	IRAM52/90S							
2 hp / 1.5 kw		943	325	141	500	700	100	
90/480 d/d (rpm)	IRAM52/90L							
3 hp / 2.2 kw		1001	334	149	500	700	117	
50/234 d/d (rpm)	IRAM62/C90L							
4 hp / 3 kw		1045	342	149	500	700	125	
65/450 d/d (rpm)	IRAM62/100L							
5.5 hp / 4 kw		1065	342	149	500	700	127	142
87/480 d/d (rpm)	210/450 d/d (rpm)							
IRAM62/112M								
7.5 hp / 5.5 kw		1151	371	182	600	800	148	
75/210 d/d (rpm)	IRAM72/132S							

Pump Dimensions - Belt Pulley Coupling:

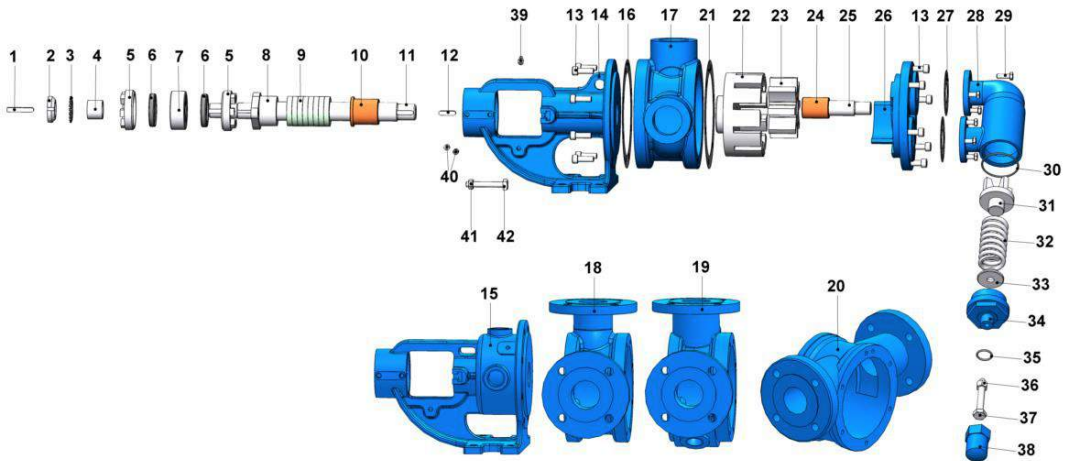
GRRJ 2"



Motor Power & Speed		Pump Speeds				F(1)	F(2)	F(3)	F(4)	B	C	D	E	Kg
		n1 d/d	n2 d/d	n3 d/d	n4 d/d									
3 hp / 2.2 kw	MOTOR 100L	450	400	350	310	140	195	195	250	680	880	390	430	140
4 hp / 3 kw	MOTOR 100L													150
5.5 hp / 4 kw	MOTOR 112M													155
7.5 hp / 5.5 kw	MOTOR 132S													165
10 hp / 7.5 kw	MOTOR 132M													175
15 hp / 11 kw	MOTOR 160M													230
20 hp / 15 kw	MOTOR 160L													240

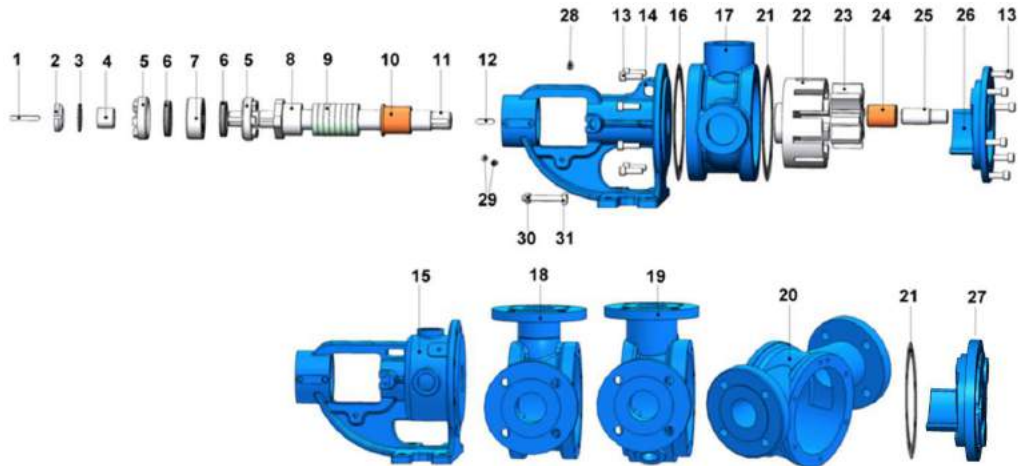


Spare Parts List - Sealed with soft seal, and pressure relief valve on cover:



No.	Part Name.	Qty.	No.	Part Name.	Qty.	No.	Part Name.	Qty.
1	Coupling Key 8x7x50 AB	1	15	Bracket (w/ Heating Jacket)	1	29	Hex Bolt M8x25	8
2	Lock Nut	1	16	Bracket Gasket	1	30	Bypass O-Ring	1
3	Lock Washer	1	17	Casing (90° Threaded Ports)	1	31	Valve	1
4	Spacer	1	18	Casing (90° Flanged Ports)	1	32	Spring	1
5	Adjusting Nut	2	19	Casing (90° Flanged Ports & w/ Heating Jacket)	1	33	Washer	1
6	Lip Seal $\varnothing 35 \times \varnothing 62 \times 10$	2	20	Casing (180° Flanged Ports)	1	34	Bypass Cover	1
7	Ball Bearing (2306)	1	21	Cover Gasket	1	35	Cap O-Ring	1
8	Packing Press	1	22	Rotor Gear	1	36	Nut M12	1
9	Soft Seal / Packing Gland	1 TK	23	Idler Gear	1	37	Adjusting Screw M12x80	1
10	Bracket Bushing	1	24	Idler Bushing	1	38	Cap	1
11	Shaft	1	25	Bypassed Cover Pin	1	39	Greasing Fitting R3/8"	1
12	Rotor Key 8x7x32 A	1	26	Cover (w/ Bypass Inlets)	1	40	Grub Screw M10x16	4
13	Inbus Bolt M10x30	14	27	Bypass Gasket	2	41	Nut M10	2
14	Bracket	1	28	Pressure Relief Valve	1	42	Square Screw M10x70	2

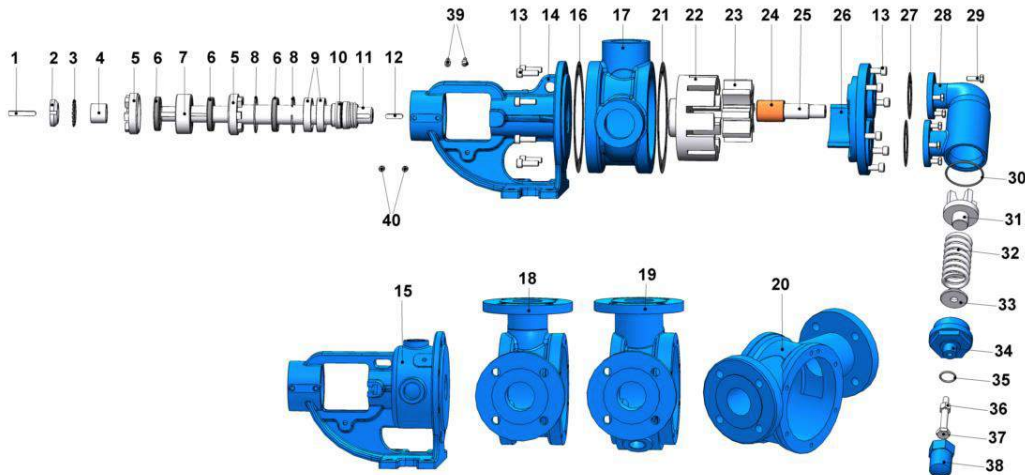
Spare Parts List - Sealed with soft seal, jacketed, and with blind cover:



No.	Part Name.	Qty.	No.	Part Name.	Qty.	No.	Part Name.	Qty.
1	Coupling Key 8x7x50 AB	1	12	Rotor Key 8x7x32 A	1	23	Idler Gear	1
2	Lock Nut	1	13	Inbus Bolt M10x30	14	24	Idler Bushing	1
				Inbus Bolt M10x35 (For Cover w/ Heating Jacket)				
3	Lock Washer	1	14	Bracket	6	25	Cover Pin	1
4	Spacer	1	15	Bracket (w/ Heating Jacket)	1	26	Blind Cover	1
5	Adjusting Nut	2	16	Bracket Gasket	1	27	Cover (w/ Heating Jacket)	1
6	Lip Seal $\varnothing 35 \times \varnothing 62 \times 10$	2	17	Casing (90° Threaded Ports)	1	28	Greasing Fitting R3/8"	1
7	Ball Bearing (2306)	1	18	Casing (90° Flanged Ports)	1	29	Grub Screw M10x16	4
8	Packing Press	1	19	Casing (90° Flanged Ports & w/ Heating Jacket)	1	30	Nut M10	2
9	Soft Seal / Packing Gland	1 TK	20	Casing (180° Flanged Ports)	1	31	Square Screw M10x70	2
10	Bracket Bushing	1	21	Cover Gasket	2			
11	Shaft	1	22	Rotor Gear	1			

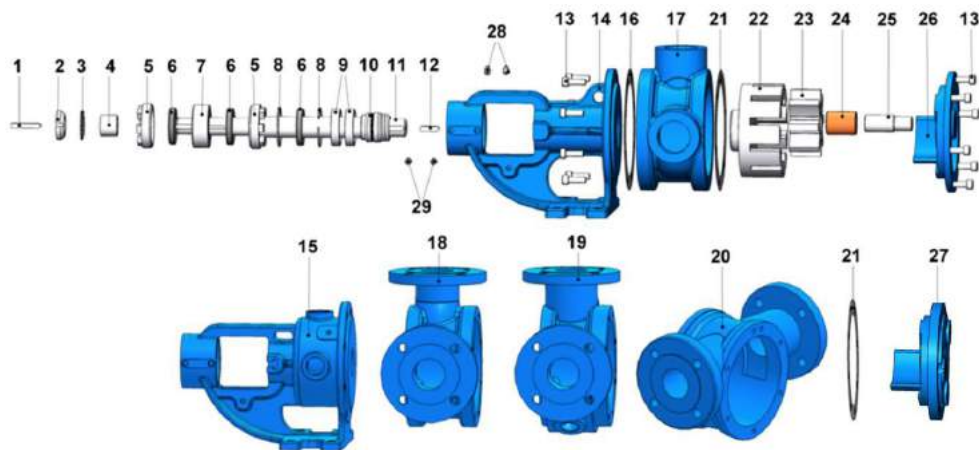


Spare Parts List - Sealed with mechanical seal, and pressure relief valve on cover:



No.	Part Name.	Qty.	No.	Part Name.	Qty.	No.	Part Name.	Qty.
1	Coupling Key 8x7x50 AB	1	15	Bracket (w/ Heating Jacket)	1	29	Hex Bolt M8x25	8
2	Lock Nut	1	16	Bracket Gasket	1	30	Bypass O-Ring	1
3	Lock Washer	1	17	Casing (90° Threaded Ports)	1	31	Valve	1
4	Spacer	1	18	Casing (90° Flanged Ports)	1	32	Spring	1
5	Adjusting Nut	2	19	Casing (90° Flanged Ports & w/ Heating Jacket)	1	33	Washer	1
6	Lip Seal $\varnothing 35 \times \varnothing 62 \times 10$	3	20	Casing (180° Flanged Ports)	1	34	Bypass Cover	1
7	Ball Bearing (2306)	1	21	Cover Gasket	1	35	Cap O-Ring	1
8	Internal Circlip ($\varnothing 62$)	2	22	Rotor Gear	1	36	Nut M12	1
9	Ball Bearing (6007)	2	23	Idler Gear	1	37	Adjusting Screw M12x80	1
10	Mechanical Seal $\varnothing 35$	1	24	Idler Bushing	1	38	Cap	1
11	Shaft	1	25	Bypassed Cover Pin	1	39	Greasing Fitting R3/8"	2
12	Rotor Key 8x7x32 A	1	26	Cover (w/ Bypass Inlets)	1	40	Grub Screw M10x16	4
13	Inbus Bolt M10x30	14	27	Bypass Gasket	2			
14	Bracket	1	28	Pressure Relief Valve	1			

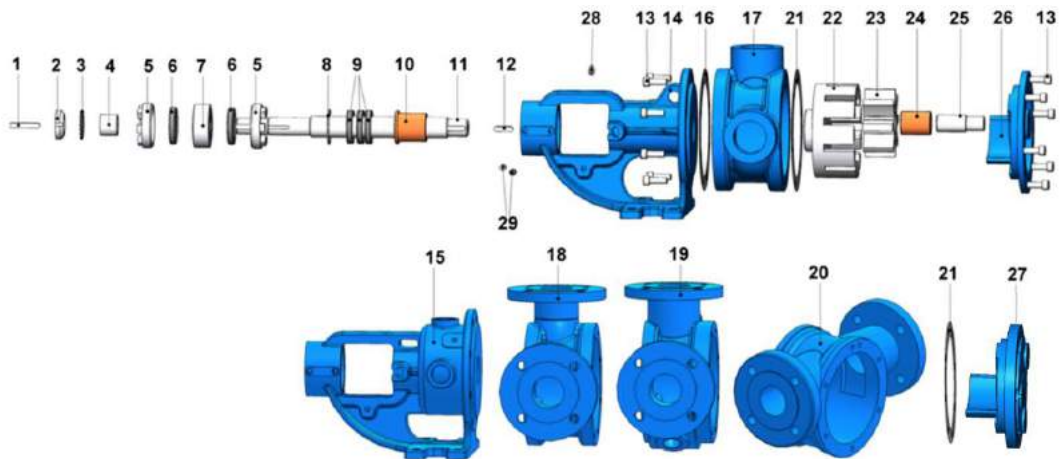
Spare Parts List - Sealed with soft seal, jacketed, and with blind cover:



No.	Part Name.	Qty.	No.	Part Name.	Qty.	No.	Part Name.	Qty.
1	Coupling Key 8x7x50 AB	1	11	Shaft	1	21	Cover Gasket	2
2	Lock Nut	1	12	Rotor Key 8x7x32 A	1	22	Rotor Gear	1
3	Lock Washer	1	13	Inbus Bolt M10x30	14	23	Idler Gear	1
				Inbus Bolt M10x35 (For Cover w/ Heating Jacket)	6			
4	Spacer	1	14	Bracket	1	24	Idler Bushing	1
5	Adjusting Nut	2	15	Bracket (w/ Heating Jacket)	1	25	Cover Pin	1
6	Lip Seal $\varnothing 35 \times \varnothing 62 \times 10$	3	16	Bracket Gasket	1	26	Blind Cover	1
7	Ball Bearing (2306)	1	17	Casing (90° Threaded Ports)	1	27	Cover (w/ Heating Jacket)	1
8	Internal Circlip ($\varnothing 62$)	2	18	Casing (90° Flanged Ports)	1	28	Greasing Fitting (R3/8")	2
9	Ball Bearing (6007)	2	19	Casing (90° Flanged Ports & w/ Heating Jacket)	1	29	Grub Screw M10x16	4
10	Mechanical Seal $\varnothing 35$	1	20	Casing (180° Flanged Ports)	1			

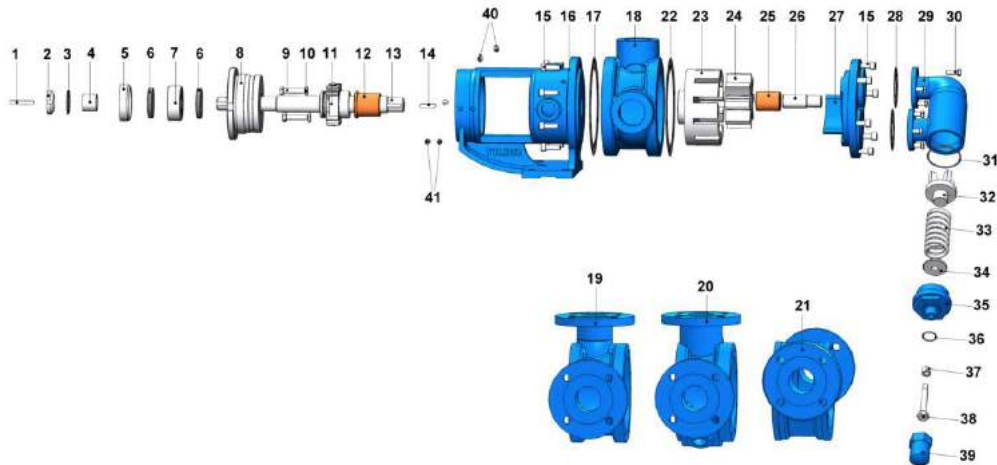


Spare Parts List - Sealed with lip seal, jacketed and with blind cover:



No.	Part Name.	Qty.	No.	Part Name.	Qty.	No.	Part Name.	Qty.
1	Coupling Key 8x7x50 AB	1	11	Shaft	1	21	Cover Gasket	1
2	Lock Nut	1	12	Rotor Key 8x7x32 A	1	22	Rotor Gear	1
3	Lock Washer	1	13	Inbus Bolt M10x30	14	23	Idler Gear	1
				Inbus Bolt M10x35 (For Cover w/ Heating Jacket)	6			
4	Spacer	1	14	Bracket	1	24	Idler Bushing	1
5	Adjusting Nut	2	15	Bracket (w/Heating Jacket)	1	25	Cover Pin	1
6	Lip Seal $\varnothing 35 \times \varnothing 62 \times 10$	2	16	Bracket Gasket	1	26	Blind Cover	1
7	Ball Bearing (2306)	1	17	Casing (90° Threaded Ports)	1	27	Cover (w/ Heating Jacket)	1
8	Internal Circlip ($\varnothing 56$)	1	18	Casing (90° Flanged Ports)	1	28	Greasing Fitting R3/8"	1
9	Lip Seal $\varnothing 35 \times \varnothing 56 \times 10$	3	19	Casing (90° Flanged Ports & w/ Heating Jacket)	1	29	Grub Screw M10x16	4
10	Bracket Bushing	1	20	Casing (180° Flanged Ports)	1			

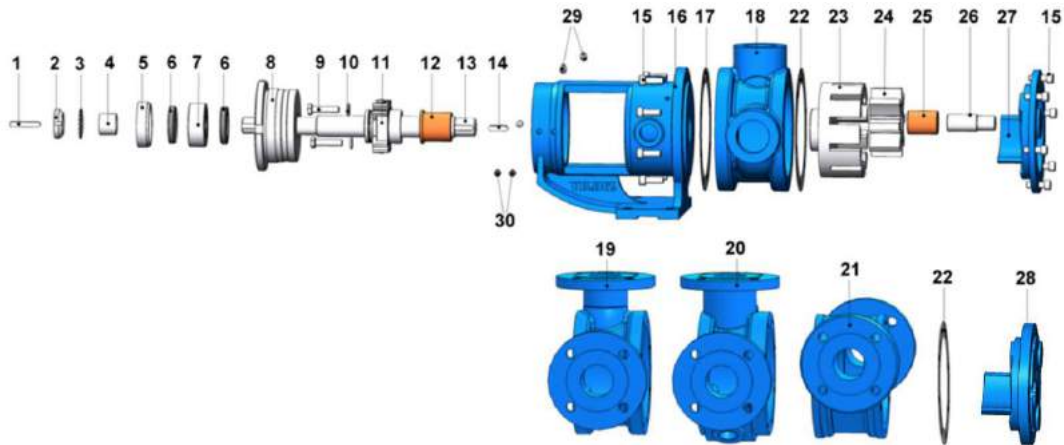
Spare Parts List - Sealed with cartex mechanical seal, and pressure relief valve on cover:



No.	Part Name.	Qty.	No.	Part Name.	Qty.	No.	Part Name.	Qty.
1	Coupling Key 8x7x50 AB	1	15	Inbus Bolt M10x30	14	29	Pressure Relief Valve	1
2	Lock Nut	1	16	Bracket (Jacketed & w/ Cartex)	1	30	Hex Bolt M8x25	8
3	Lock Washer	1	17	Bracket Gasket	1	31	Bypass O-Ring	1
4	Spacer	1	18	Casing (90° Threaded Ports)	1	32	Valve	1
5	Adjusting Nut	1	19	Casing (90° Flanged Ports)	1	33	Spring	1
6	Lip Seal $\varnothing 35 \times \varnothing 62 \times 10$	2	20	Casing (90° Flanged Ports & w/ Heating Jacket)	1	34	Washer	1
7	Ball Bearing (2306)	1	21	Casing (180° Flanged Ports)	1	35	Bypass Cover	1
8	Pulley	1	22	Cover Gasket	1	36	Cap O-Ring	1
9	Hex Bolt M10x45	2	23	Rotor Gear	1	37	Nut M12	1
10	M10 Washer	2	24	Idler Gear	1	38	Adjusting Screw M12x80	1
11	Cartex Seal $\varnothing 35$	1	25	Idler Bushing	1	39	Cap	1
12	Bracket Bushing	1	26	Bypassed Cover Pin	1	40	Greasing Fitting R3/8"	2
13	Shaft	1	27	Cover (w/ Bypass Inlets)	1	41	Grub Screw M10x16	4
14	Rotor Key 8x7x32 A	1	28	Bypass Gasket	2			



Spare Parts List - Sealed with cartex mechanical seal, jacketed and with blind cover:



No.	Part Name.	Qty.	No.	Part Name.	Qty.	No.	Part Name.	Qty.
1	Coupling Key 8x7x50 AB	1	11	Cartex Seal Ø35	1	21	Cover Gasket	1
2	Lock Nut	1	12	Bracket Bushing	1	22	Rotor Gear	1
3	Lock Washer	1	13	Shaft	14	23	Idler Gear	1
4	Spacer	1	14	Rotor Key 8x7x32 A	1	24	Idler Bushing	1
5	Adjusting Nut	2	15	Inbus Bolt M10x30		25	Cover Pin	1
6	Lip Seal ø35xø62x10	2	15	Inbus Bolt M10x35 (For Cover w/ Heating Jacket)	1	26	Blind Cover	1
7	Ball Bearing (2306)	1	16	Bracket (Jacketed & w/ Cartex)	1	27	Cover (w/ Heating Jacket)	1
8	Pulley	1	17	Bracket Gasket	1	28	Greasing Fitting R3/8"	1
9	Hex Bolt M10x45	3	18	Casing (90° Threaded Ports)	1	29	Grub Screw M10x16	4
10	M10 Washer	1	20	Casing (180° Flanged Ports)	1			