



GAEG 1" - Modular Gear Pump



Performance:

Flow rate	3 m ³ /h
Pressure	1 - 12 bar
Temperature	0 - 70 °C
Speed	1 - 1500 d/d
Viscosity	100 - 2500 SSU

Technical Features:

- ✓ Modular gear pump
- ✓ 1" threaded ports
- ✓ Designed for applications that require low flow
- ✓ Compact design
- ✓ Reliable construction
- ✓ Various sealing options
- ✓ Various material options
- ✓ Motor drive and gearbox drive versions available
- ✓ 230v, three phase 50/60hz motors available
- ✓ Manufactured according to CE regulations

Applications:

- ✓ Fuel oil, diesel fuel and gas oil transfer
- ✓ Small scale thermal oil applications including Marlotherm, Duratherm, Paratherm, Multitherm, Mobiltherm and Dowtherm
- ✓ Lubrication applications
- ✓ Coolant transfer
- ✓ Any transfer of low to medium viscosity fluids with lubricating properties
- ✓ Not suitable for fluids containing abrasive particles

Material Options:

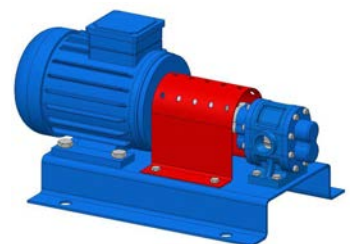
- ✓ Pump body & covers: Cast iron, steel cast, stainless AISI 304/316 cast
- ✓ Gears: Steel, stainless steel AISI 304 / 316
- ✓ Bearings: Snbz 12 bronze, bearing, carbon graphite, Ina bushing bearing
- ✓ Sealing: Soft seal, mechanical seal, lip seal

Capacity & Power Table					
Capacity (Q)	Speed (rpm)	Pressure			Viscosity
		0 Bar	3.5 Bar	7 Bar	
1.5	750	1 HP	1.5 HP	2 HP	2500 SSU
1.8	900	1 HP	1.5 HP	2 HP	750 SSU
2.6	1400	0.75 HP	1.5 HP	1.5 HP	100 SSU

Motor Powers	
1 HP	900 d/d (rpm)
1.5 HP	900 d/d (rpm)
1.5 HP	1400 d/d (rpm)
Motor Body	
90	

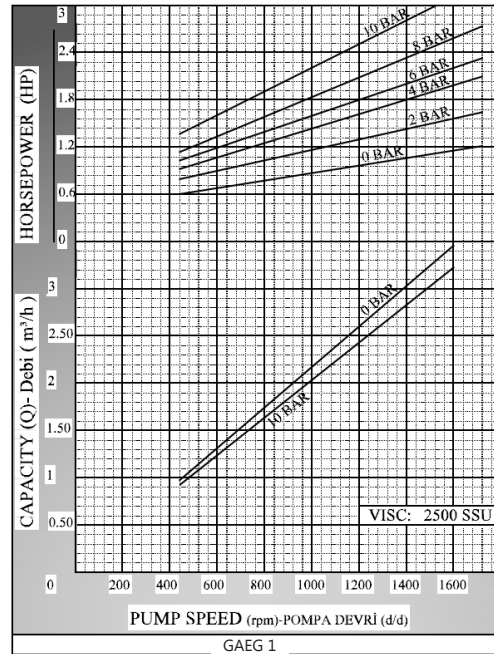
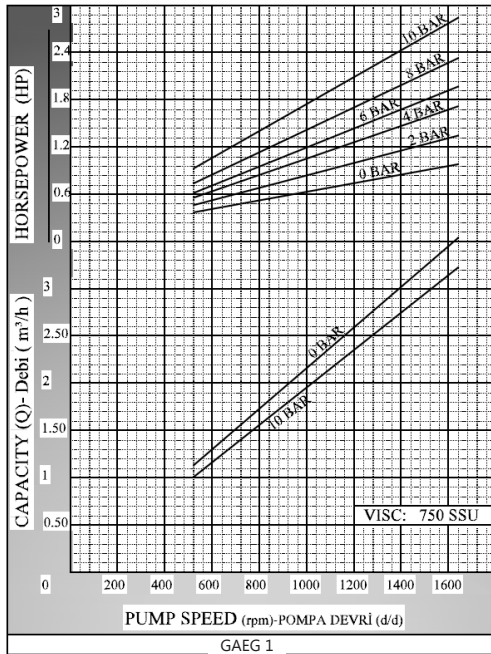
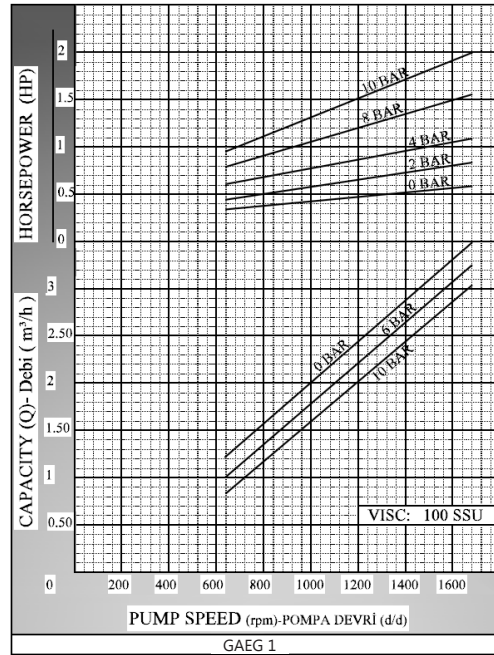
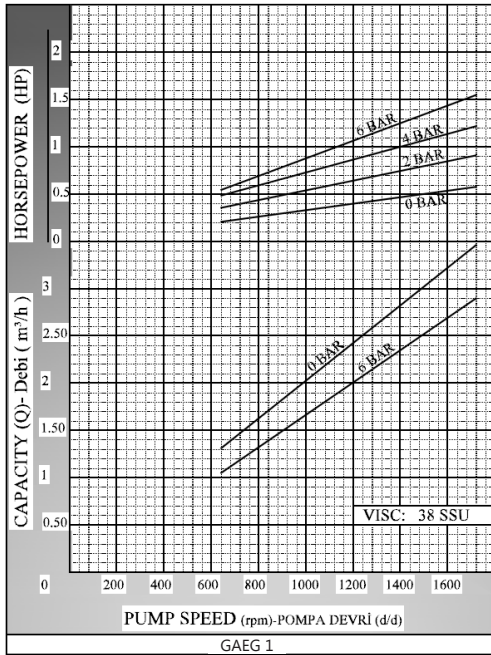
Motor Powers	
1 HP	750 d/d (rpm)
1.5 HP	750 d/d (rpm)
2 HP	900 d/d (rpm)
Motor Body	
100	

Motor Powers	
2 HP	750 d/d (rpm)
Motor Body	
112	

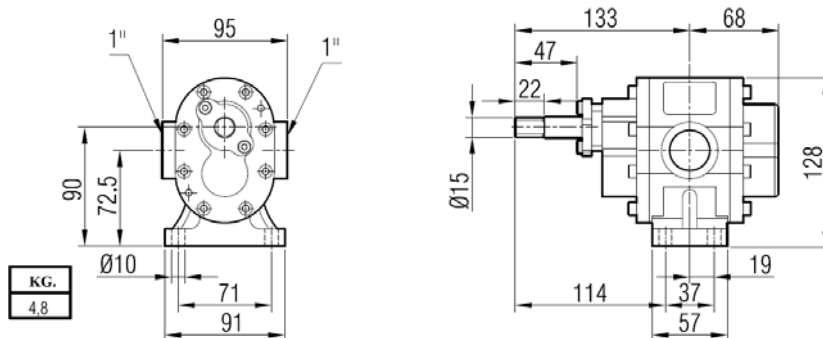




Performance Curves:

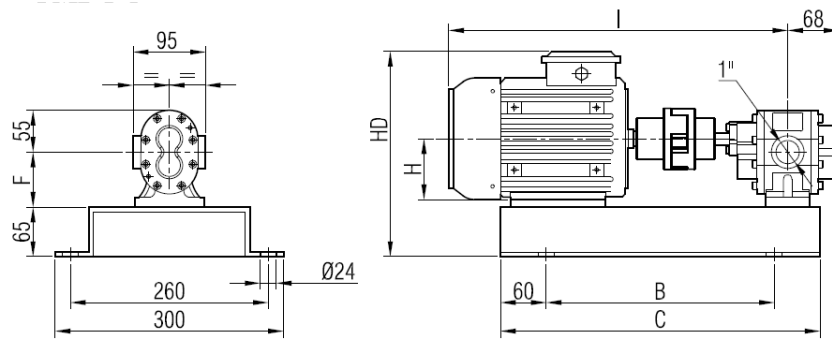


Pump Dimensions:



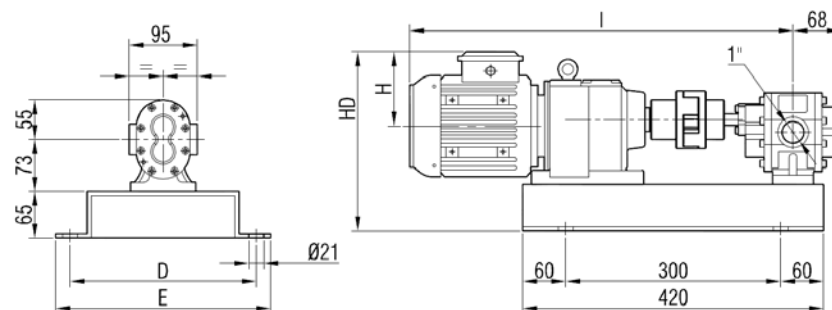


Coupling Dimensions - Motor Drive:



Motor Power & Speed			I	HD	H	B	C	F	Kg	
0.5 hp / 0.37 kw	900 d/d (rpm)	MOTOR 80	425	273	80	300	420	73	22	
0.75-1 hp / 0.55-0.75 kw	1400 d/d (rpm)									
0.5 hp / 0.37 kw	750 d/d (rpm)	MOTOR 90S	458	281	90	350	470	73	27	
1 hp / 0.75 kw	900 d/d (rpm)									
1.5 hp / 1.1 kw	1400 d/d (rpm)	MOTOR 90L	511	281	90	350	470	73	29	
1 hp / 0.55 kw	750 d/d (rpm)									
1.5 hp / 1.1 kw	900 d/d (rpm)	MOTOR 90L	511	281	90	350	470	73	29	
2 hp / 1.5 kw	1400 d/d (rpm)									
1-1.5 hp / 0.75-1.1 kw	750 d/d (rpm)	MOTOR 100L	558	300	100	380	500	83	32	34
2 hp / 1.5 kw	900 d/d (rpm)								34	
3-4 hp / 2.2-3 kw	1400 d/d (rpm)								32	35

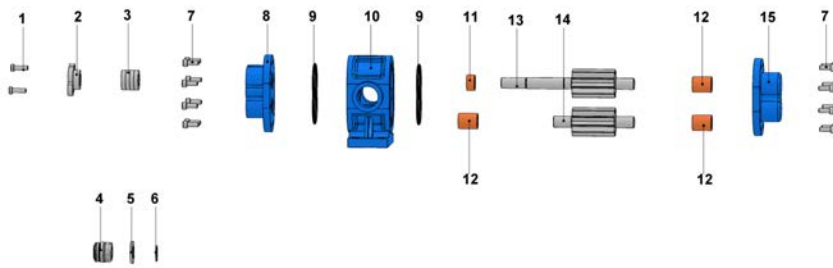
Coupling Dimensions - Gearbox Drive:



Motor Power & Speed			I	HD	H	Kg
0.75 hp / 0.55 kw	75/406 d/d (rpm)	IRAM42/80M	564	269	118	30
1 hp / 0.75 kw	40/240 d/d (rpm)	IRAM52/80M	597			37
1.5 hp / 1.1 kw	60/380 d/d (rpm)	IRAM52/90S	617	282	132	40
2 hp / 1.5 kw	100/540 d/d (rpm)	IRAM52/90L	642			42
3 hp / 2.2 kw	175/540 d/d (rpm)	IRAM52/100L	671	291	141	46
4 hp / 3 kw	345/650 d/d (rpm)	IRAM52/100L				49



Spare Parts List - Sealed with soft seal or mechanical seal:



No.	Part Name.	Qty.
1	Imbus Bolt M6x20	2
2	Packing Press	1
3	Soft Seal / Packing Gland	4
4	Mechanical Seal (ø16)	1
5	External Circlip (ø16)	1
6	Mechanical Seal Washer	1
7	Imbus Bolt M6x15	16
8	Front Cover	1
9	Casing O-Ring ø69xø3	2
10	Casing	1
11	Bushing	1
12	Seal Bushing	3
13	Driving Shaft	1
14	Driven Shaft	1
15	Back Cover	1