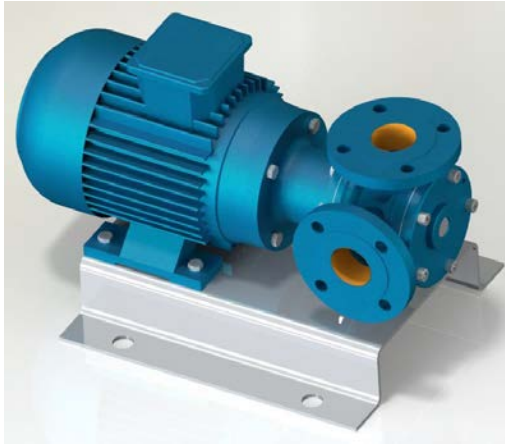




GASJ 2" Internal Eccentric Gear Pump



Performance:

Flow rate	14 m ³ /h
Pressure	1 - 5 bar
Temperature	0 - 70 °C
Speed	500 d/d
Viscosity	100 - 25000 SSU

Technical Features:

- ✓ Internal eccentric gear pump
- ✓ 2" flanged threaded connections
- ✓ Designed for low pressure applications
- ✓ Compact design
- ✓ Reliable construction thanks to only two moving parts
- ✓ Various material options
- ✓ Available with external bypass, jacketed cover and blind covered
- ✓ 230v, three phase 50/60hz motors available
- ✓ Manufactured according to CE regulations

Applications:

- ✓ Fuel oil, diesel fuel and gas oil transfer
- ✓ Small scale thermal oil applications including Marlotherm, Duratherm, Paratherm, Multitherm, Mobiltherm and Dowtherm
- ✓ Lubrication applications
- ✓ Coolant transfer
- ✓ Any transfer of low to medium viscosity fluids with lubricating properties
- ✓ Not suitable for fluids containing abrasive particles

Material Options:

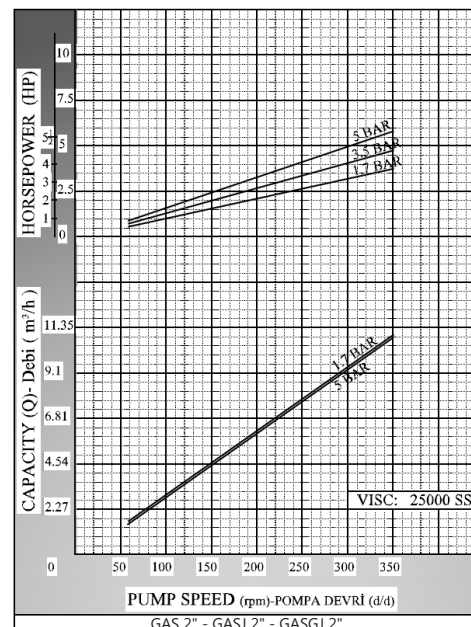
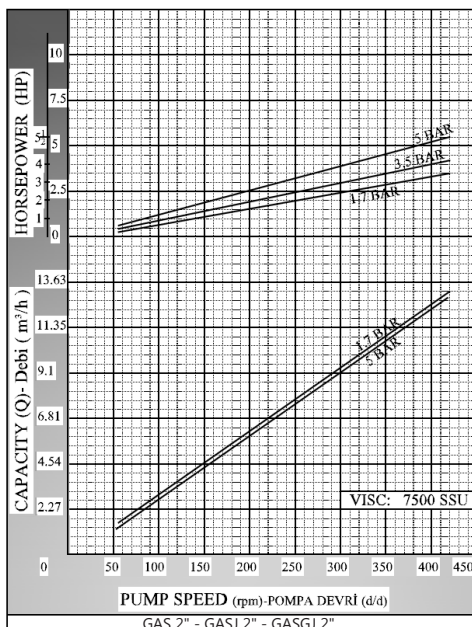
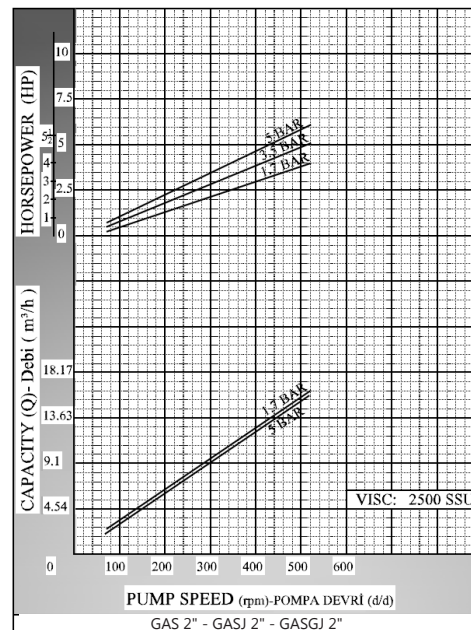
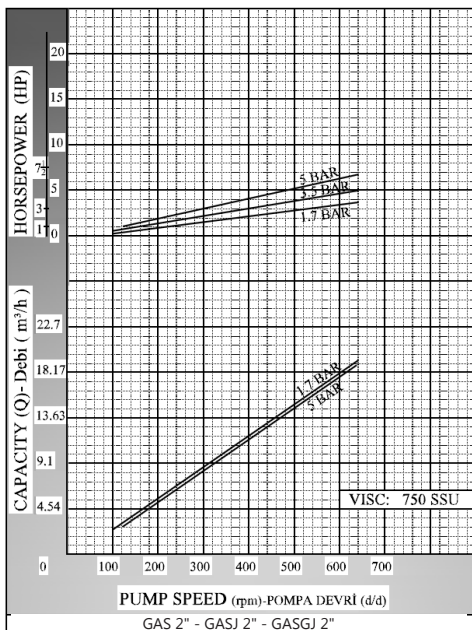
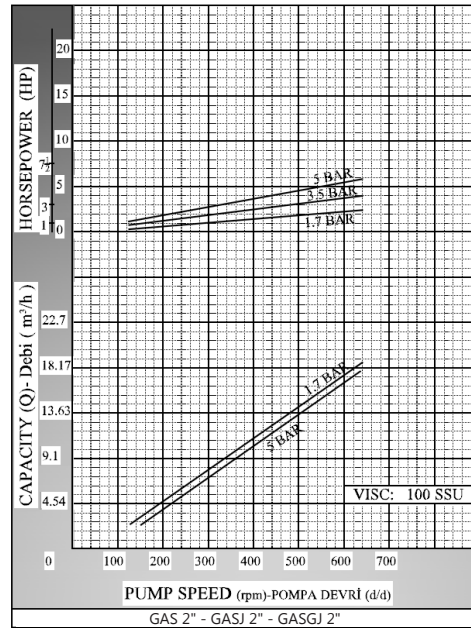
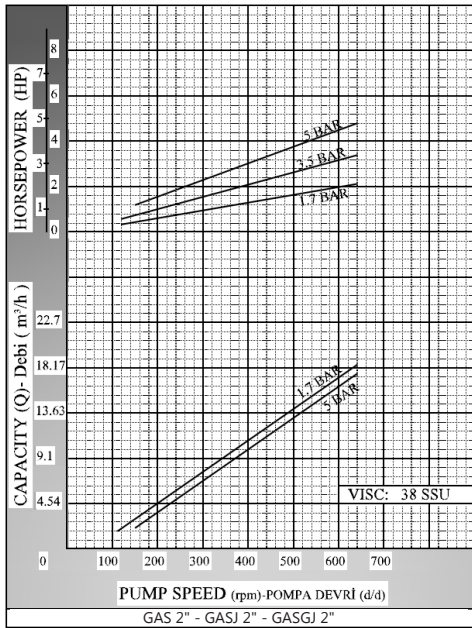
- ✓ Pump body & covers: Cast iron, steel cast, stainless AISI 304/316 cast
- ✓ Gears: Cast iron, steel cast, stainless AISI 304 / 316 cast, Spheroidal cast iron
- ✓ Bearings: Snbz 12 bronze, carbon graphite, silicon carbide, hard metal coated steel
- ✓ Sealing: Lip seal

Capacity & Power Table					
Capacity (Q)	Speed (rpm)	Pressure			Viscosity
		2 Bar	3 Bar	5 Bar	
8	280	3 HP	4 HP	5.5 HP	25000 SSU
10	340	3 HP	4 HP	5.5 HP	7500 SSU
12	400	3 HP	4 HP	5.5 HP	2500 SSU
13.5	450	3 HP	4 HP	5.5 HP	750 SSU





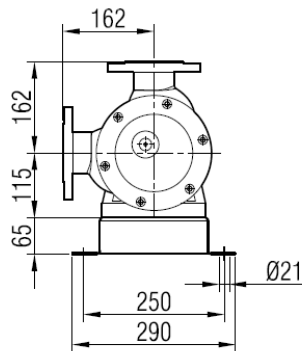
Performance Curves:



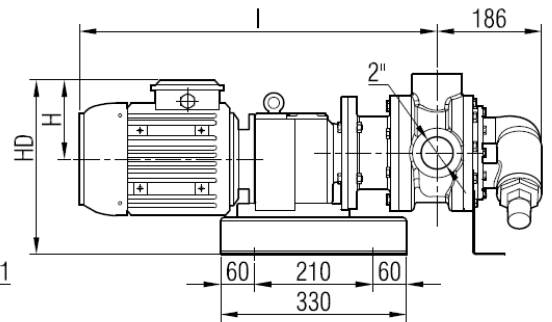
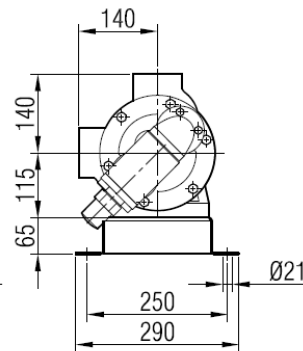


Pump Dimensions:

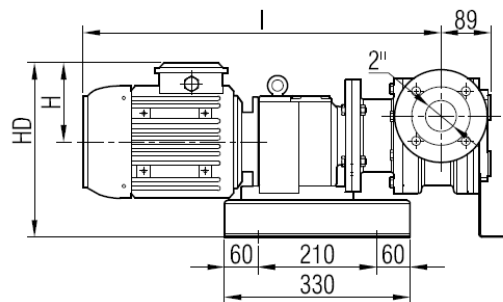
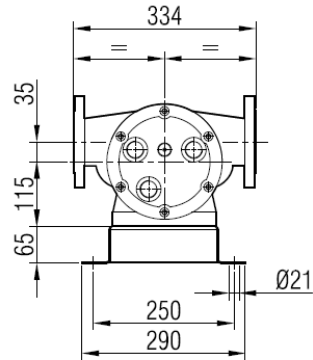
GASJ 2"



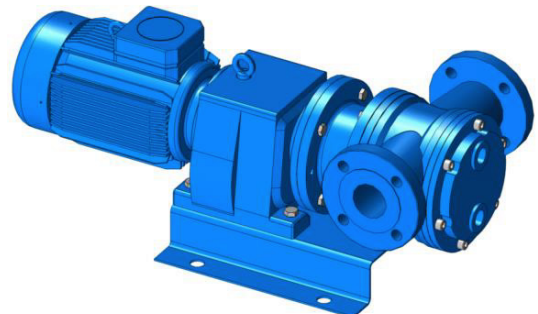
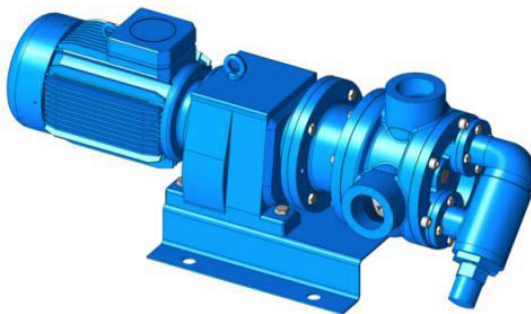
GAS 2"



GASGJ 2"

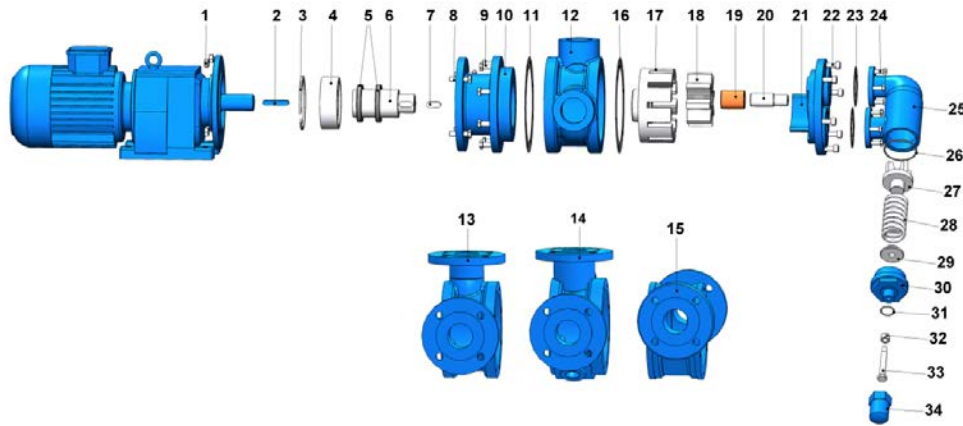


Motor Power & Speed		I	HD	H	Kg	
1.5 hp / 1.1 kw		605	301	132	91	
30/104 d/d (rpm)	IRAFM62/90S					
2 hp / 1.5 kw		630			93	
30/200 d/d (rpm)	IRAFM62/90L					
3-4 hp / 2.2-3 kw		672	310	141	97	105
65/450 d/d (rpm)	IRAFM62/100L					
5.5 hp / 4 kw		693	318	149	107	
87/450 d/d (rpm)	IRAFM62/112M					



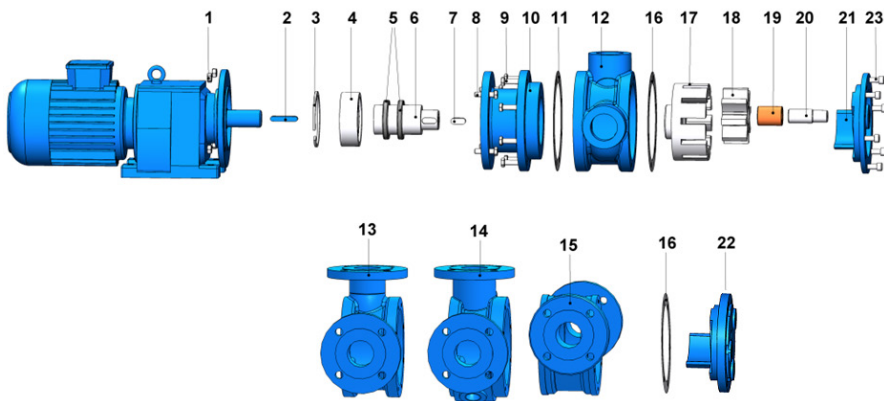


Spare Parts List - Sealed with lip seal and bypassed with pressure relief valve:



No.	Part Name.	Qty.	No.	Part Name.	Qty.
1	Nut M10	4	18	Idler Gear	1
2	Gear Motor Key 10x8x56 A	1	19	Idler Bushing	1
3	Internal Circlip (ø110)	1	20	Cover Pin	1
4	Ball Bearing (3212-2RS)	1	21	Cover (w/Bypass Inlets)	1
5	Lip Seal 60x80x10	2	22	Inbus Bolt M10x30	6
6	Shaft	1	23	Bypass Gasket	2
7	Rotor Key 12x8x30 A	1	24	Hex Screw M8x25	8
8	Hex Screw M10x40	4	25	Pressure Relief Valve	1
9	Hex Screw M10x30	8	26	Bypass O-Ring	1
10	Mounting Flange	1	27	Valve	1
11	Bracket Gasket	1	28	Spring	1
12	Casing (90° Threaded Ports)	1	29	Washer	1
13	Casing (90° Flanged Ports)	1	30	Bypass Cover	1
14	Casing (Jacketed & w/90° Flanged Ports)	1	31	Cap O-Ring	1
15	Casing (w/ 180° Flanged Ports)	1	32	Nut M12	1
16	Cover Gasket	1	33	Adjusting Screw M12x80	1
17	Rotor Gear	1	34	Cap	1

Spare Parts List - Sealed with lip seal, jacketed, and with blind cover:



No.	Part Name.	Qty.	No.	Part Name.	Qty.
1	Nut M10	4	13	Casing (90° Flanged Ports)	1
2	Gear Motor Key 10x8x56 A	1	14	Casing (Jacketed & w/90° Flanged Ports)	1
3	Internal Circlip (ø110)	1	15	Casing (w/ 180° Flanged Ports)	1
4	Ball Bearing (3212-2RS)	1	16	Cover Gasket	2
5	Lip Seal 60x80x10	2	17	Rotor Gear	1
6	Shaft	1	18	Idler Gear	1
7	Rotor Key 12x8x30 A	1	19	Idler Bushing	1
8	Hex Screw M10x40	4	20	Jacketed & Blind Cover Pin	1
9	Hex Screw M10x30	8	21	Blind Cover	1
10	Mounting Flange	1	22	Cover (w/ Heating Jacket)	1
11	Bracket Gasket	1	23	Inbus Bolt M10x35	6
12	Casing (90° Threaded Ports)	1			