



GASNJ 2½" Internal Eccentric Gear Pump



Performance:

Flow rate	32 m³/h
Pressure	1 - 5 bar
Temperature	0 - 70 °C
Speed	400 d/d
Viscosity	100 - 25000 SSU

Technical Features:

- ✓ Internal eccentric gear pump
- ✓ 2½" flanged threaded connections
- ✓ Designed for low pressure applications
- ✓ Compact design
- ✓ Reliable construction thanks to only two moving parts
- ✓ Various material options
- ✓ Available with external bypass, jacketed cover and blind covered
- ✓ 230v, three phase 50/60hz motors available
- ✓ Manufactured according to CE regulations

Applications:

- ✓ Fuel oil, diesel fuel and gas oil transfer
- ✓ Small scale thermal oil applications including Marlotherm, Duratherm, Paratherm, Multitherm, Mobiltherm and Dowtherm
- ✓ Lubrication applications
- ✓ Coolant transfer
- ✓ Any transfer of low to medium viscosity fluids with lubricating properties
- ✓ Not suitable for fluids containing abrasive particles

Material Options:

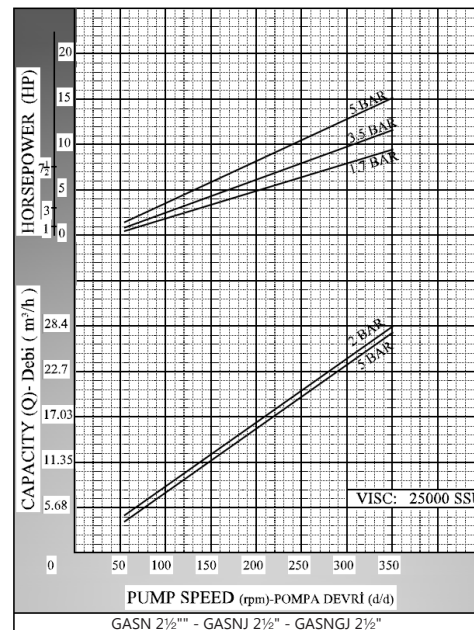
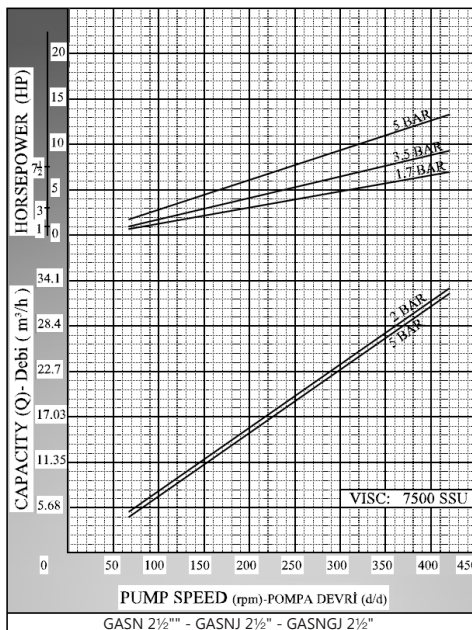
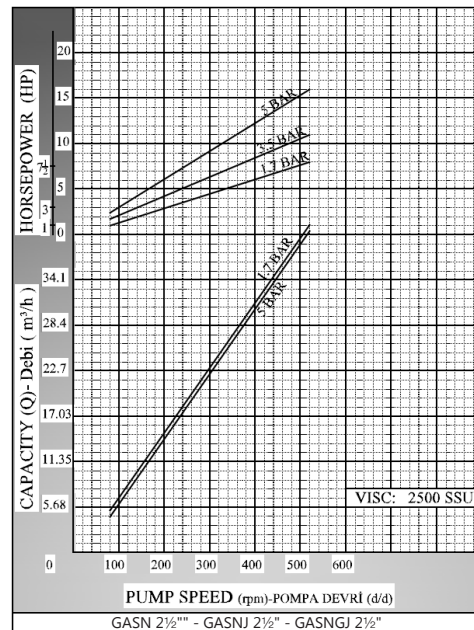
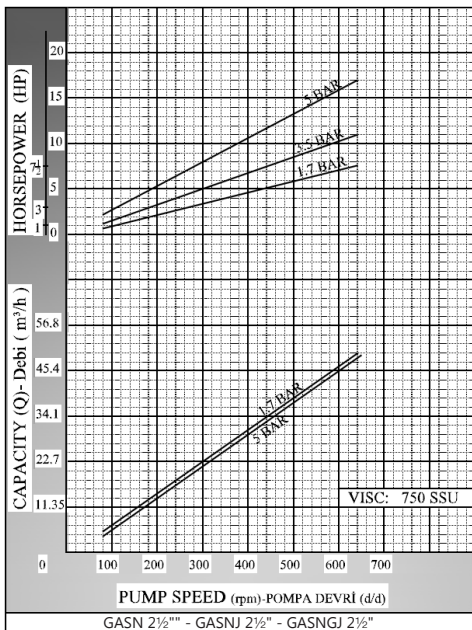
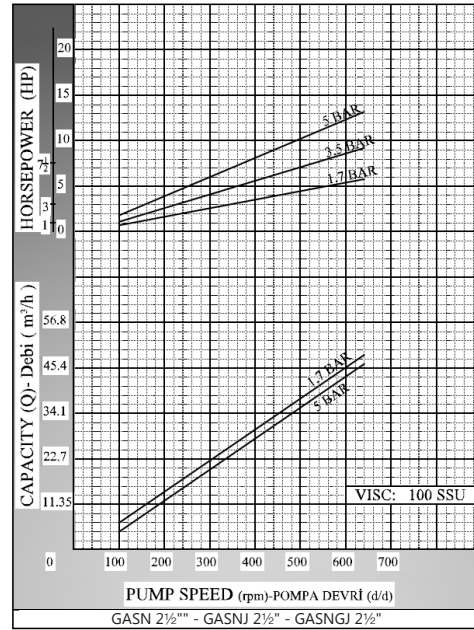
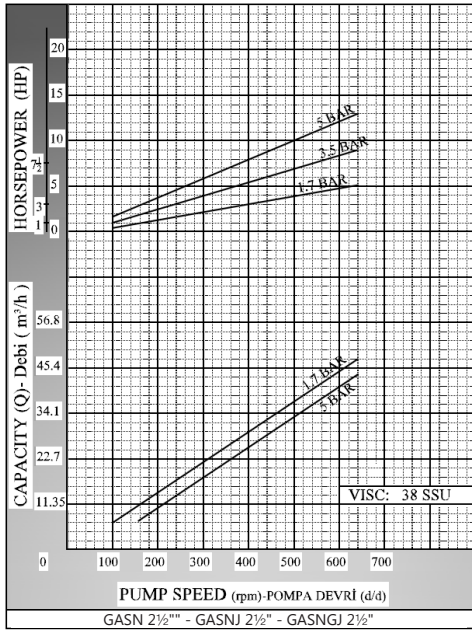
- ✓ Pump body & covers: Cast iron, steel cast, stainless AISI 304/316 cast
- ✓ Gears: Cast iron, steel cast, stainless AISI 304 / 316 cast, Spheroidal cast iron
- ✓ Bearings: Snbz 12 bronze, carbon graphite, silicon carbide, hard metal coated steel
- ✓ Sealing: Lip seal

Capacity & Power Table					
Capacity (Q)	Speed (rpm)	Pressure			Viscosity
		2 Bar	3 Bar	5 Bar	
16	200	7.5 HP	10 HP	10 HP	75000 SSU
22	280	7.5 HP	10 HP	15 HP	25000 SSU
27	350	7.5 HP	10 HP	15 HP	7500 SSU
32	400	7.5 HP	10 HP	15 HP	2500 SSU





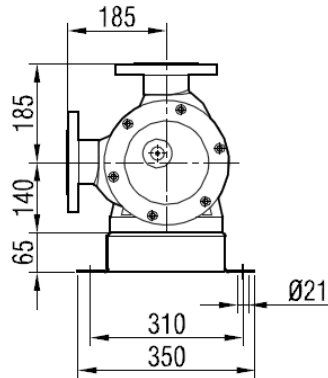
Performance Curves:



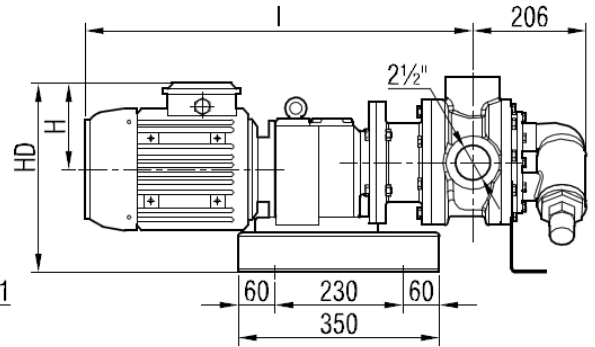
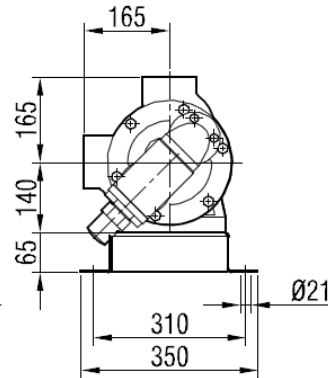


Pump Dimensions:

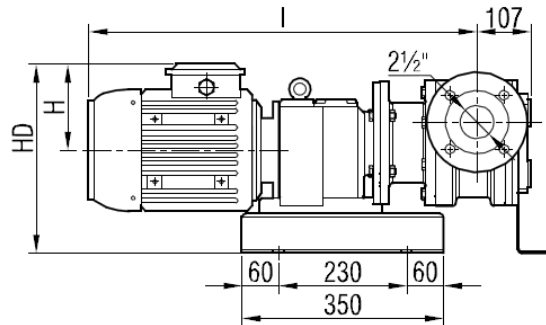
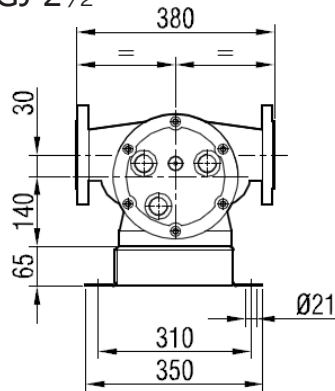
GASNJ 2½"



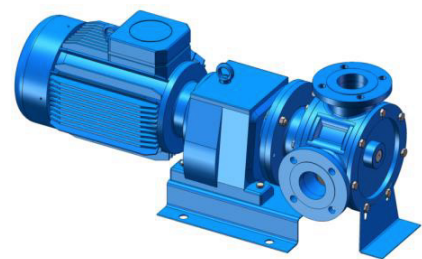
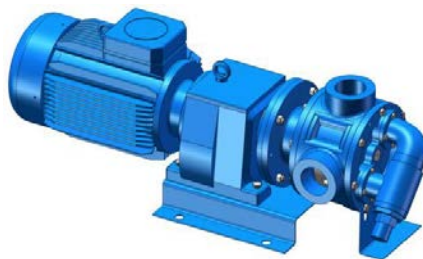
GASN 2½"



GASNGJ 2½"

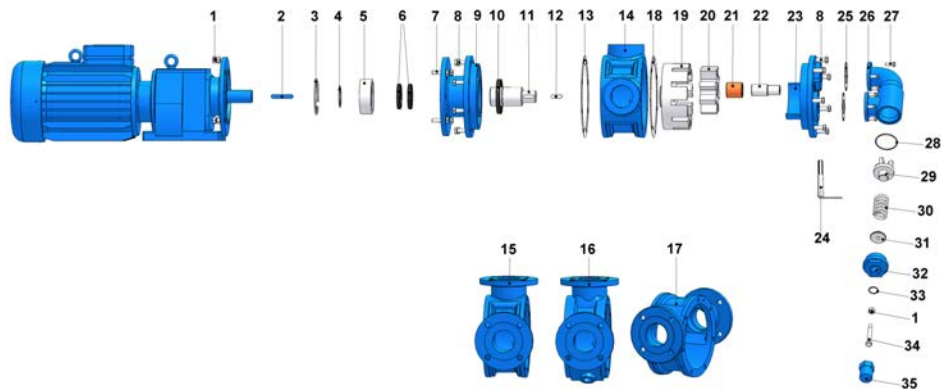


Motor Power & Speed		I	HD	H	Kg	
3-4 hp / 2.2-3 kw		701	335	141	123	131
65/450 d/d (rpm)	IRAFM62/100L					
5.5 hp / 4 kw		722	343	149	133	
87/450 d/d (rpm)	IRAFM62/112M					
7.5 hp / 5.5 kw		800	371	182	156	
70/400 d/d (rpm)	IRAFM72/132S					
10 hp / 7.5 kw		846	371	182	167	
120/400 d/d (rpm)	IRAFM72/132M					



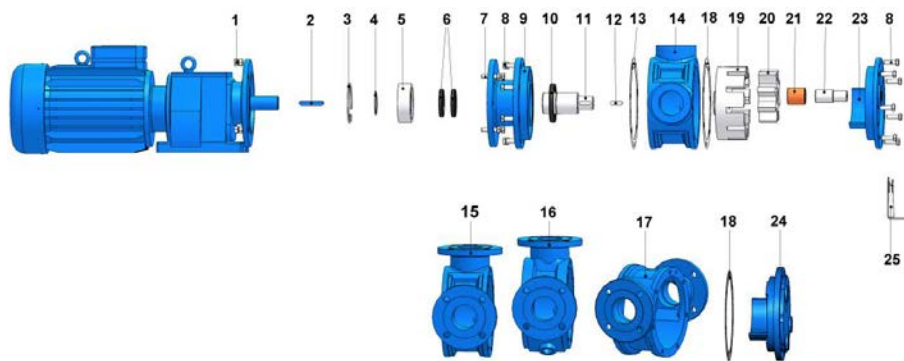


Spare Parts List - Sealed with lip seal and pressure relief valve on cover:



No.	Part Name.	Qty.	No.	Part Name.	Qty.
1	Nut M12	4	19	Rotor Gear	1
2	Gear Motor Key 12x8x70 A	1	20	Idler Gear	1
3	Internal Circlip (ø110)	1	21	Idler Bushing	1
4	External Circlip (ø60)	1	22	Cover Pin	1
5	Ball Bearing (3212-2RS)	1	23	Cover (w/ Bypass Inlets)	1
6	Lip Seal ø60xø80x10	2	24	Pump Support	1
7	Screw M12x45	4	25	Bypass Gasket	2
8	Screw M12x35	14	26	Pressure Relief Valve	1
9	Mounting Flange	1	27	Screw M8x25	8
10	Lip Seal ø70xø110x13	1	28	Bypass O-Ring	1
11	Shaft	1	29	Valve	1
12	Rotor Key 10x8x35 A	1	30	Spring	1
13	Casing Gasket	1	31	Washer	1
14	Casing (w/ 90° Threaded Ports)	1	32	Bypass Cover	1
15	Casing (w/ 90° Flanged Ports)	1	33	Cap O-Ring	1
16	Casing (90° Flanged Ports & w/ Heating Jacket)	1	34	Adjusting Screw M12x80	1
17	Casing (180° Flanged Ports)	1	35	Cap	1
18	Cover Gasket	1			

Spare Parts List - Sealed with lip seal, jacketed, and with blind cover:



No.	Part Name.	Qty.	No.	Part Name.	Qty.
1	Nut M12	4	14	Casing (w/ 90° Threaded Ports)	1
2	Gear Motor Key 12x8x70 A	1	15	Casing (w/ 90° Flanged Ports)	1
3	Internal Circlip (ø110)	1	16	Casing (90° Flanged Ports & w/ Heating Jacket)	1
4	External Circlip (ø60)	1	17	Casing (180° Flanged Ports)	1
5	Ball Bearing (3212-2RS)	1	18	Cover Gasket	2
6	Lip Seal ø60xø80x10	2	19	Rotor Gear	1
7	Screw M12x45	4	20	Idler Gear	1
8	Screw M12x35 For Blind Cover	15	21	Idler Bushing	1
	Screw M12x40 For Cover (w/ Heating Jacket)	7	22	Cover Pin	1
9	Mounting Flange	1	23	Blind Cover	1
10	Lip Seal ø70xø110x13	1	24	Cover (w/ Heating Jacket)	1
11	Shaft	1	25	Pump Support	1
12	Rotor Key 10x8x35 A	1			
13	Casing Gasket	1			