



## GASN 1½" Internal Eccentric Gear Pump



### Performance:

Flow rate	6.7 m³/h
Pressure	1 - 7 bar
Temperature	0 - 70 °C
Speed	1400 d/d
Viscosity	100 - 7500 SSU

### Technical Features:

- ✓ Internal eccentric gear pump
- ✓ 1½" flanged threaded connections
- ✓ Designed for low pressure applications
- ✓ Compact design
- ✓ Reliable construction thanks to only two moving parts
- ✓ Various material options
- ✓ Available with external bypass, jacketed cover and blind covered
- ✓ 230v, three phase 50/60hz motors available
- ✓ Manufactured according to CE regulations

### Applications:

- ✓ Fuel oil, diesel fuel and gas oil transfer
- ✓ Small scale thermal oil applications including Marlotherm, Duratherm, Paratherm, Multitherm, Mobiltherm and Dowtherm
- ✓ Lubrication applications
- ✓ Coolant transfer
- ✓ Any transfer of low to medium viscosity fluids with lubricating properties
- ✓ Not suitable for fluids containing abrasive particles

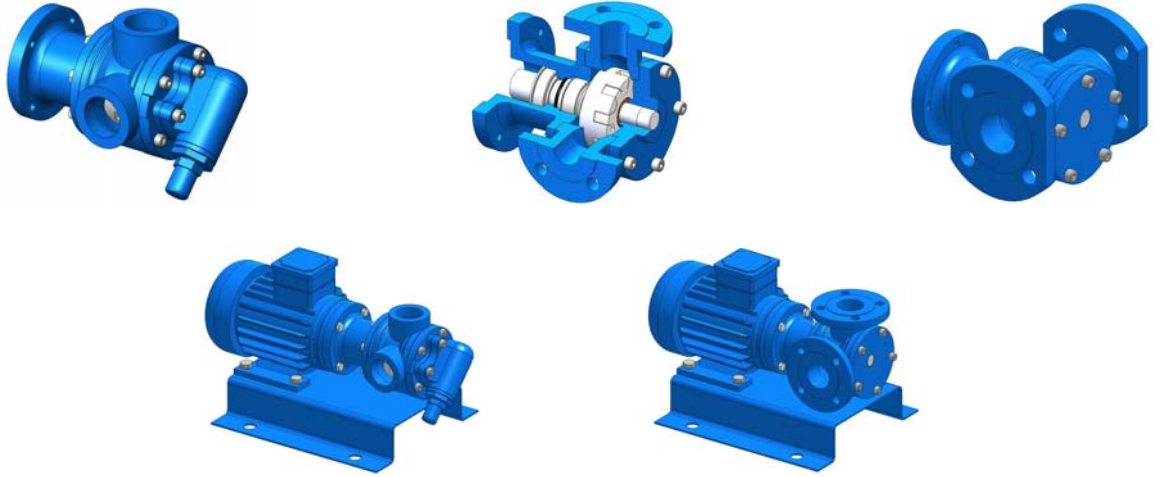
### Material Options:

- ✓ Pump body & covers: Cast iron, steel cast, stainless AISI 304/316 cast
- ✓ Gears: Cast iron, steel cast, stainless AISI 304 / 316 cast, Spheroidal cast iron
- ✓ Bearings: Snbz 12 bronze, carbon graphite, silicon carbide, hard metal coated steel
- ✓ Sealing: Lip seal

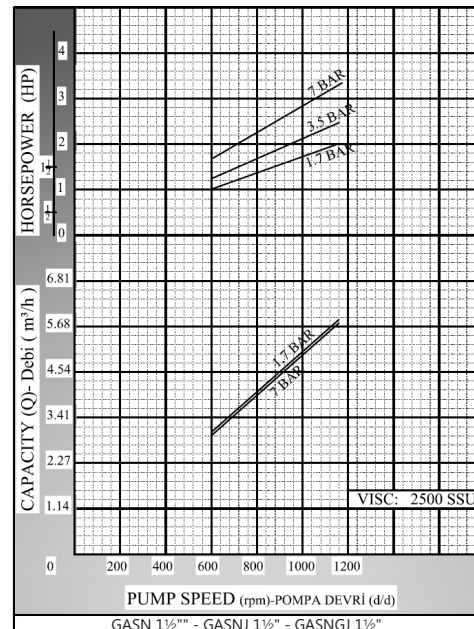
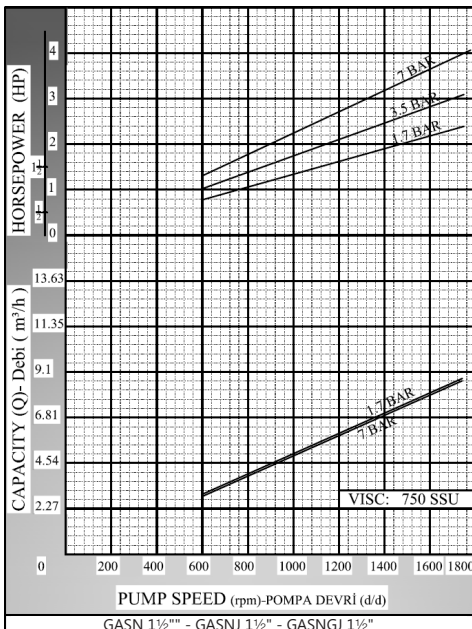
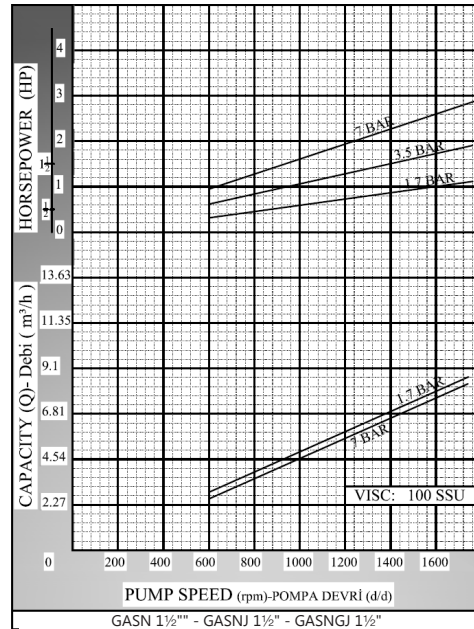
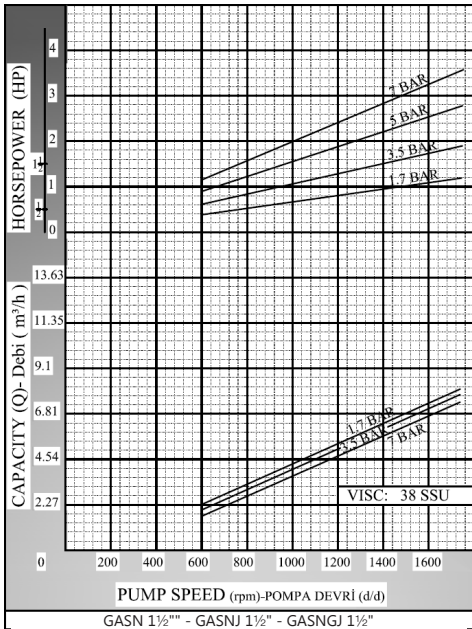
Capacity & Power Table						
Capacity (Q)	Speed (rpm)	Pressure				Viscosity
		2.5 Bar	5 Bar	7.5 Bar	10 Bar	
4.7	900	1.5 HP	2 HP	3 HP	4 HP	750 SSU
6.7	1400	1.5 HP	2 HP	3 HP	4 HP	100 SSU

Motor Powers	
1.5 HP	900 d/d (rpm)
1.5 HP	1400 d/d (rpm)
2 HP	1400 d/d (rpm)
Motor Body	
90	

Motor Powers	
2 HP	900 d/d (rpm)
3 HP	1400 d/d (rpm)
4 HP	1400 d/d (rpm)
Motor Body	
100	



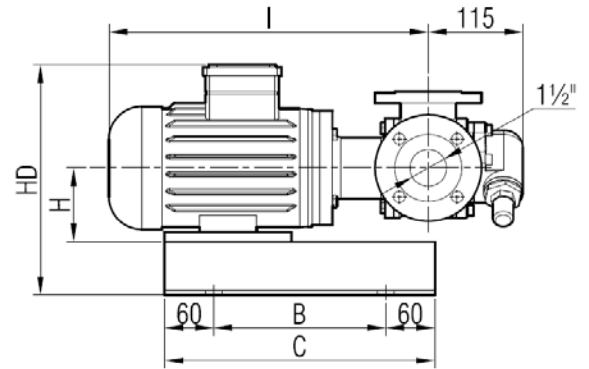
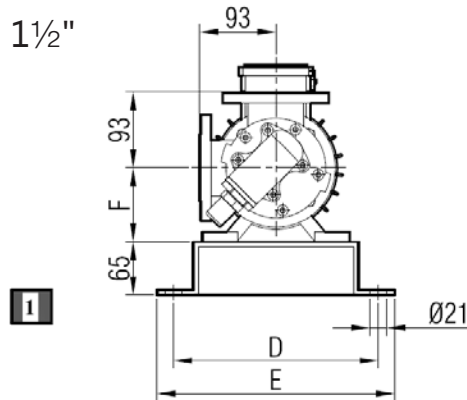
Performance Curves:



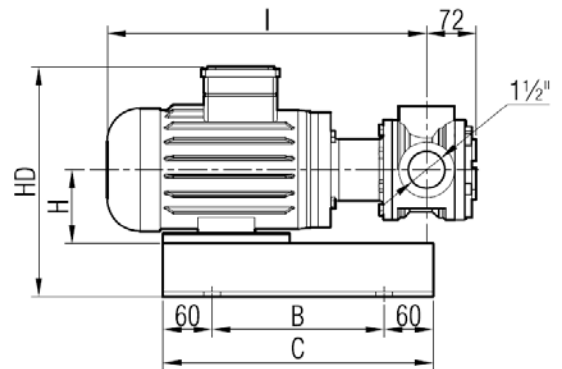
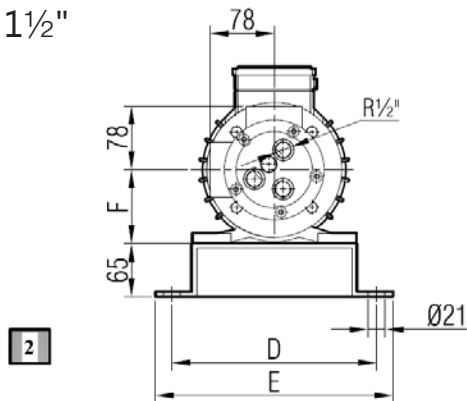


## Pump Dimensions:

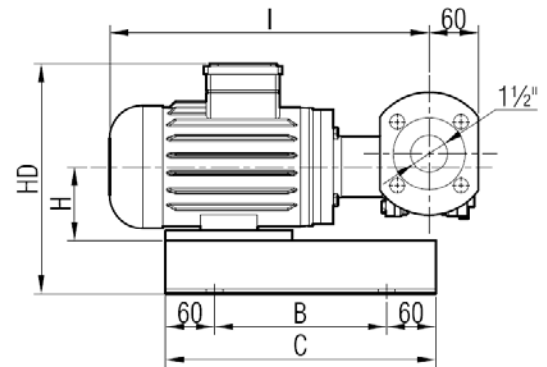
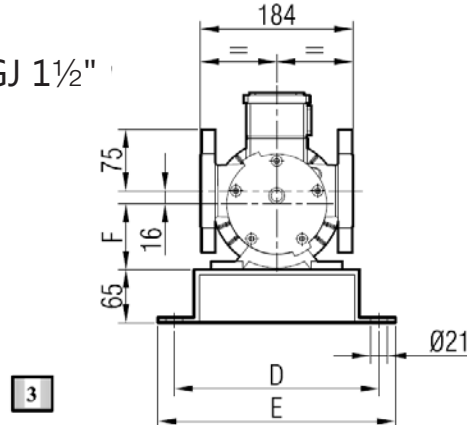
### GASNJ 1½"



### GASN 1½"



### GASNGJ 1½"

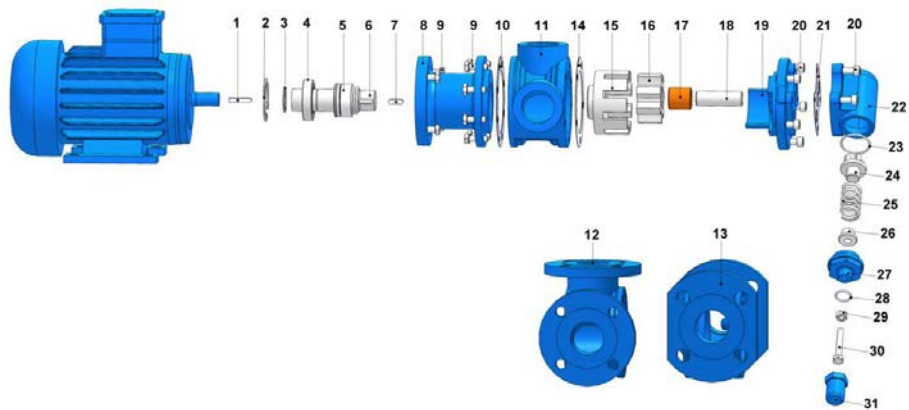


Motor Power & Speed			I	HD	H	B	C	D	E	F	Kg
1.5 hp / 1.1 kw	1400 d/d (rpm)	MOTOR 90S	390	281	90	210	330	250	290	90	32
1.5 hp / 1.1 kw	900 d/d (rpm)	MOTOR 90L	440								35
2 hp / 1.5 kw	1400 d/d (rpm)	MOTOR 100L	480	300	100	210	330	250	290	100	36
1.5 hp / 1.1 kw	750 d/d (rpm)										43
2 hp / 1.5 kw	900 d/d (rpm)										44
3 hp / 2.2 kw	1400 d/d (rpm)	MOTOR 112M	494	323	112	230	350	310	350	112	43
4 hp / 3 kw	1400 d/d (rpm)										47
5.5 hp / 4 kw	1400 d/d (rpm)	MOTOR 112M	494	323	112	230	350	310	350	112	55

Explanation	1	2	3
		Pump with bypass	Pump with jacket



## Spare Parts List - Sealed with mechanical seal and pressure relief valve on cover:



No.	Part Name.	Qty.	No.	Part Name.	Qty.
1	Motor Key 6x6x30 AB	1	17	Idler Bushing	1
2	Internal Circlip (ø55)	1	18	Cover Pin	1
3	External Circlip (ø30)	1	19	Cover (w/Bypass Inlets)	1
4	Ball Bearing (6006-2RS)	1	20	Inbus Bolts M8x25	9
5	Mechanical Seal Ø30	1	21	Bypass Gasket	1
6	Shaft	1	22	Pressure Relief Valve - Bypass	1
7	Rotor Key 6x6x20 A	1	23	Bypass O-Ring	1
8	Mounting Flange	1	24	Valve	1
9	Hex Bolt M8x25	12	25	Spring	1
10	Bracket Gasket	1	26	Washer	1
11	Casing (w/90° Threaded Ports)	1	27	Bypass Cover	1
12	Casing (w/ 90° Flanged Ports)	1	28	Cap O-Ring	1
13	Casing (w/ 180° Flanged Ports)	1	29	Nut M8	1
14	Cover Gasket	1	30	Adjusting Screw M8x55	1
15	Rotor Gear	1	31	Cap	1
16	Idler Gear	1			

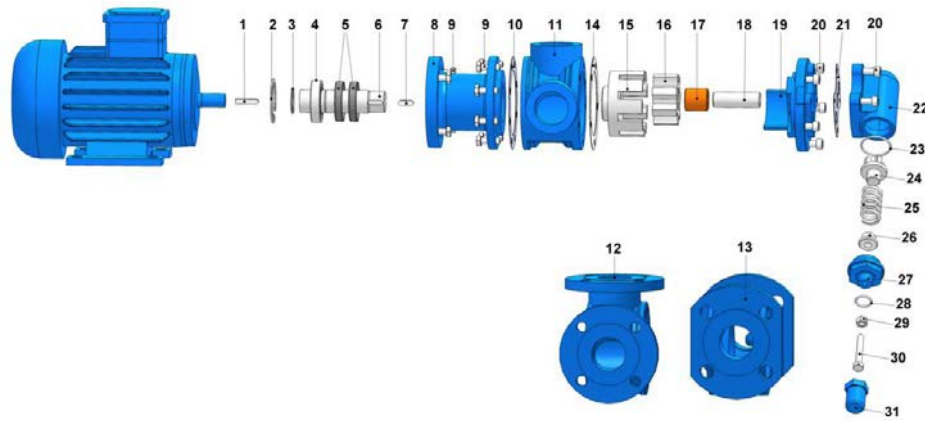
## Spare Parts List - Sealed with mechanical seal, jacketed, and with blind cover:



No.	Part Name.	Qty.	No.	Part Name.	Qty.
1	Motor Key 6x6x30 AB	1	13	Casing (w/ 180° Flanged Ports)	1
2	Internal Circlip (ø55)	1	14	Head Gasket	1
3	External Circlip (ø30)	1	15	Rotor Gear	1
4	Ball Bearing (6006-2RS)	1	16	Idler Gear	1
5	Mechanical Seal Ø30	1	17	Idler Bushing	1
6	Shaft	1	18	Cover Pin	1
7	Rotor Key 6x6x20 A	1	19	Blind Cover	1
8	Mounting Flange	1	20	Cover (w/ Heating Jacket)	1
9	Hex Bolt M8x25	12	21	Inbus Bolt M8x25	5
10	Bracket Gasket	1		Inbus Bolt M8x30 For Cover	5
11	Casing (w/90° Threaded Ports)	1		w/ Heating Jacket	
12	Casing (w/ 90° Flanged Ports)	1			

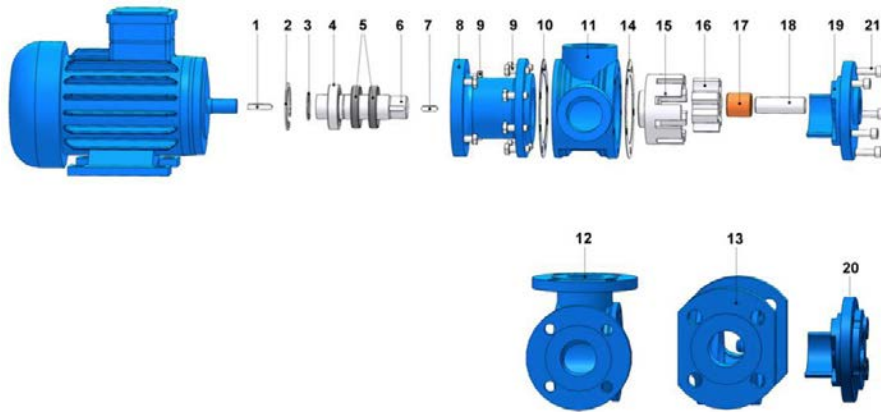


## Spare Parts List - Sealed with lip seal and pressure relief valve on cover:



No.	Part Name.	Qty.	No.	Part Name.	Qty.
1	Motor Key 6x6x30 AB	1	17	Idler Bushing	1
2	Internal Circlip (ø55)	1	18	Cover Pin	1
3	External Circlip (ø30)	1	19	Cover (w/Bypass Inlets)	1
4	Ball Bearing (6006-2RS)	1	20	Hex Socket M8x25	9
5	Lip Seal ø30xø52x10	2	21	Bypass Gasket	1
6	Shaft	1	22	Pressure Relief Valve - Bypass	1
7	Rotor Key 6x6x20 A	1	23	Bypass O-Ring	1
8	Mounting Flange	1	24	Valve	1
9	Hex Bolt M8x25	12	25	Spring	1
10	Bracket Gasket	1	26	Washer	1
11	Casing (w/90° Threaded Ports)	1	27	Bypass Cover	1
12	Casing (w/ 90° Flanged Ports)	1	28	Cap O-Ring	1
13	Casing (w/ 180° Flanged Ports)	1	29	Nut M8	1
14	Cover Gasket	1	30	Adjusting Screw M8x55	1
15	Rotor Gear	1	31	Cap	1
16	Idler Gear	1			

## Spare Parts List - Sealed with lip seal, jacketed, and with blind cover:



No.	Part Name.	Qty.	No.	Part Name.	Qty.
1	Motor Key 6x6x30 AB	1	13	Casing (w/ 180° Flanged Ports)	1
2	Internal Circlip (ø55)	1	14	Cover Gasket	1
3	External Circlip (ø30)	1	15	Rotor Gear	1
4	Ball Bearing (6006-2RS)	1	16	Idler Gear	1
5	Lip Seal ø30xø52x10	2	17	Idler Bushing	1
6	Shaft	1	18	Cover Pin	1
7	Rotor Key 6x6x20 A	1	19	Blind Cover	1
8	Mounting Flange	1	20	Cover (w/ Heating Jacket)	1
9	Hex Bolt M8x25	12	21	Hex Socket M8x25	5
10	Bracket Gasket	1		Hex Socket M8x30 For Cover	5
11	Casing (w/90° Threaded Ports)	1		w/ Heating Jacket	
12	Casing (w/ 90° Flanged Ports)	1			