



GAS 1" Internal Eccentric Gear Pump



Performance:

Flow rate	3 m ³ /h
Pressure	1 - 10 bar
Temperature	0 - 70 °C
Speed	1400 d/d
Viscosity	100 - 2500 SSU

Technical Features:

- ✓ Internal eccentric gear pump
- ✓ 1" flanged threaded connections
- ✓ Designed for low pressure applications
- ✓ Compact design
- ✓ Reliable construction thanks to only two moving parts
- ✓ Various material options
- ✓ Available with external bypass, jacketed cover and blind covered
- ✓ 230v, three phase 50/60hz motors available
- ✓ Manufactured according to CE regulations

Applications:

- ✓ Fuel oil, diesel fuel and gas oil transfer
- ✓ Small scale thermal oil applications including Marlotherm, Duratherm, Paratherm, Multitherm, Mobiltherm and Dowtherm
- ✓ Lubrication applications
- ✓ Coolant transfer
- ✓ Any transfer of low to medium viscosity fluids with lubricating properties
- ✓ Not suitable for fluids containing abrasive particles

Material Options:

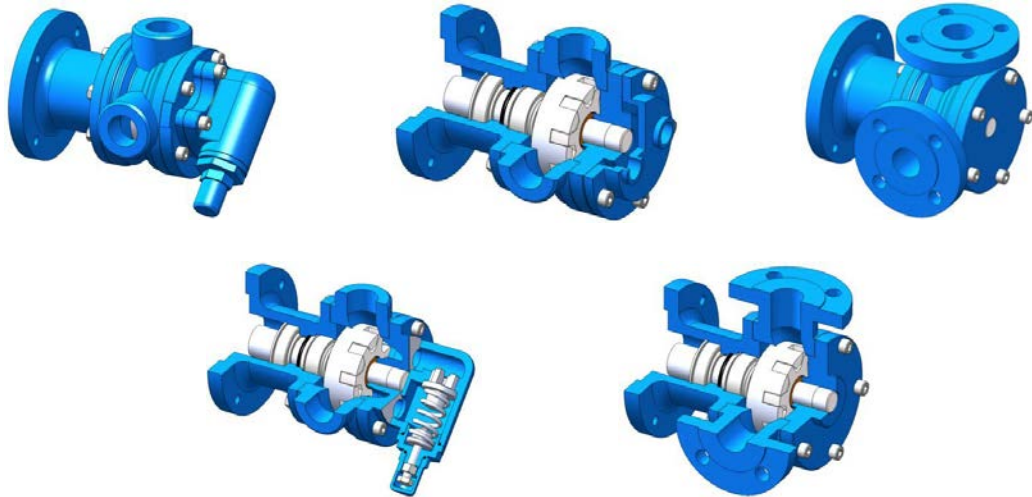
- ✓ Pump body & covers: Cast iron, steel cast, stainless AISI 304/316 cast
- ✓ Gears: Cast iron, steel cast, stainless AISI 304 / 316 cast, Spheroidal cast iron
- ✓ Bearings: Snbz 12 bronze, carbon graphite, silicon carbide, hard metal coated steel
- ✓ Sealing: Lip seal

Capacity & Power Table						
Capacity (Q)	Speed (rpm)	Pressure				Viscosity
		2.5 Bar	5 Bar	7.5 Bar	10 Bar	
1.8	900	0.75 HP	1 HP	1.5 HP	2 HP	750 SSU
3	1400	1 HP	1.5 HP	2 HP	3 HP	100 SSU

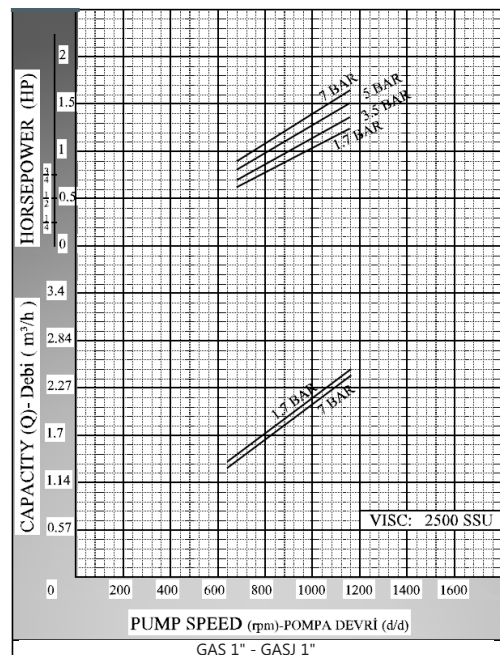
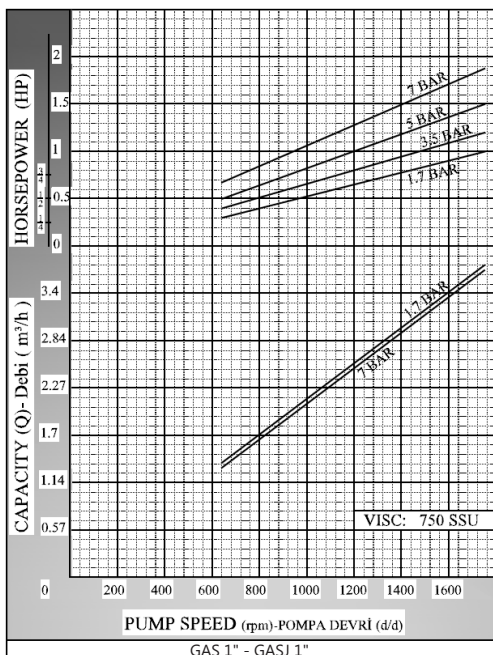
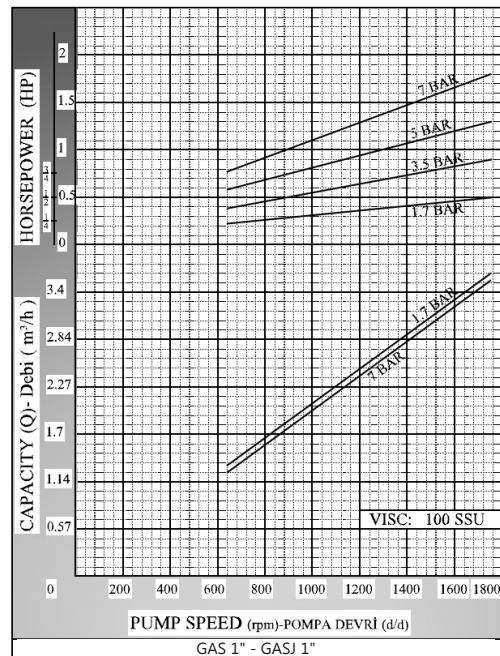
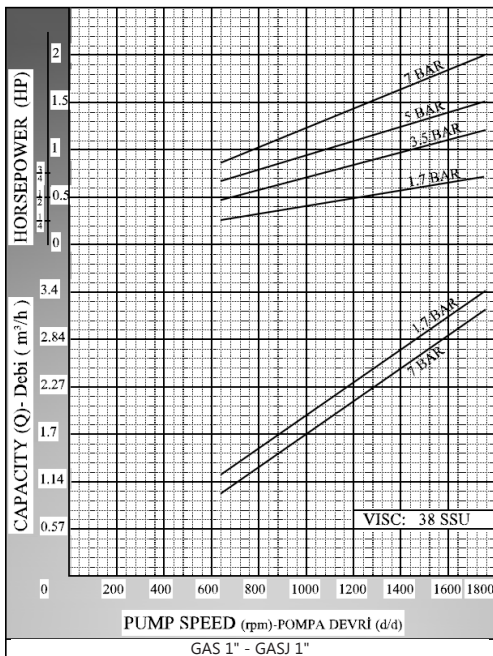
Motor Powers	
1 HP	1400 d/d (rpm)
0.75 HP	900 d/d (rpm)
Motor Body	
80	

Motor Powers	
1 HP	900 d/d (rpm)
1.5 HP	900 d/d (rpm)
1.5 HP	1400 d/d (rpm)
2 HP	1400 d/d (rpm)
Motor Body	
90	

Motor Powers	
1.5 HP	750 d/d (rpm)
2 HP	900 d/d (rpm)
3 HP	1400 d/d (rpm)
Motor Body	
100	



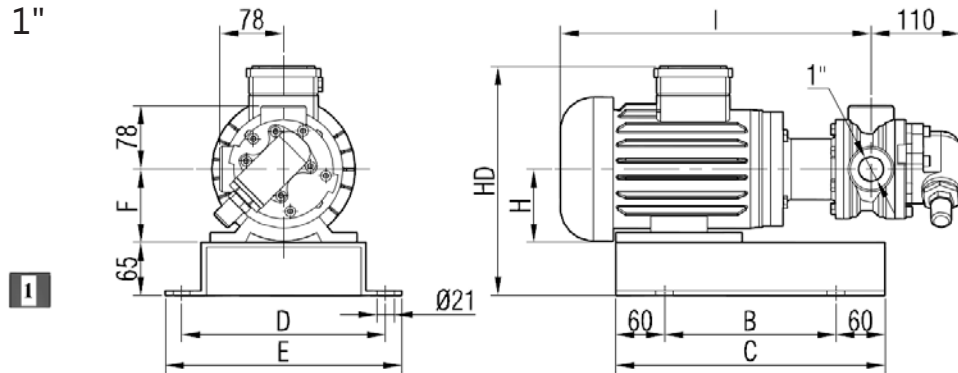
Performance Curves:



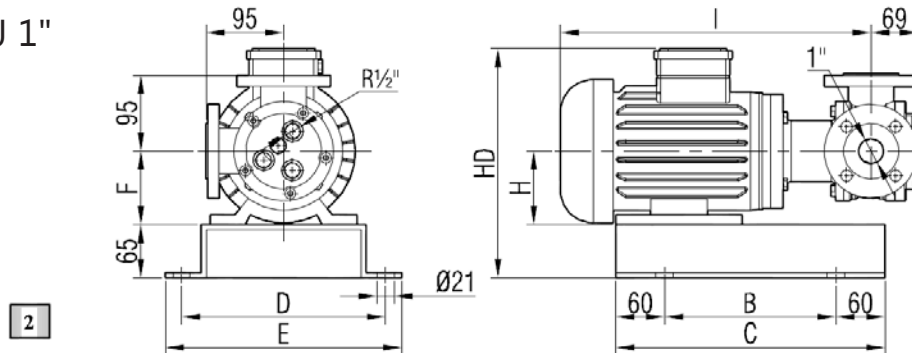


Pump Dimensions:

GAS 1"

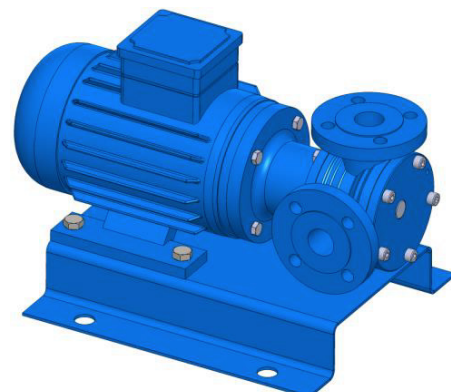
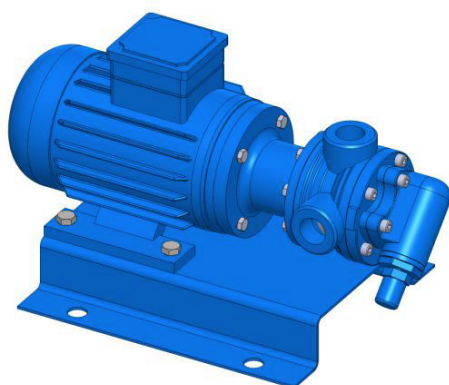


GASJ 1"



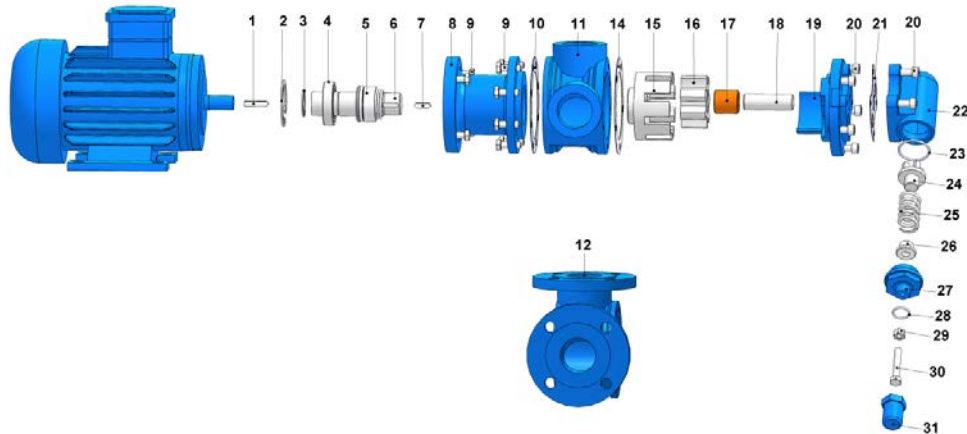
EXPLANATION	1	2
	Pump with bypass	Pump with jacket

Motor Power & Speed		I	HD	H	B	C	D	E	F	Kg
0.75 hp / 0.55 kw	900 d/d (rpm)	MOTOR 80	361	263	80				80	28
0.75 hp / 0.55 kw	1400 d/d (rpm)									26
1 hp / 0.75 kw	1400 d/d (rpm)									27
1 hp / 0.75 kw	900 d/d (rpm)	MOTOR 90S	380	90	210	330	250	290	90	30
1.5 hp / 1.1 kw	1400 d/d (rpm)									30
1.5 hp / 1.1 kw	900 d/d (rpm)	MOTOR 90L	400	90						32
2 hp / 1.5 kw	1400 d/d (rpm)									32
1.5 hp / 1.1 kw	750 d/d (rpm)	MOTOR 100L	470	300	100				100	38
2 hp / 1.5 kw	900 d/d (rpm)									38
3 hp / 2.2 kw	1400 d/d (rpm)									36



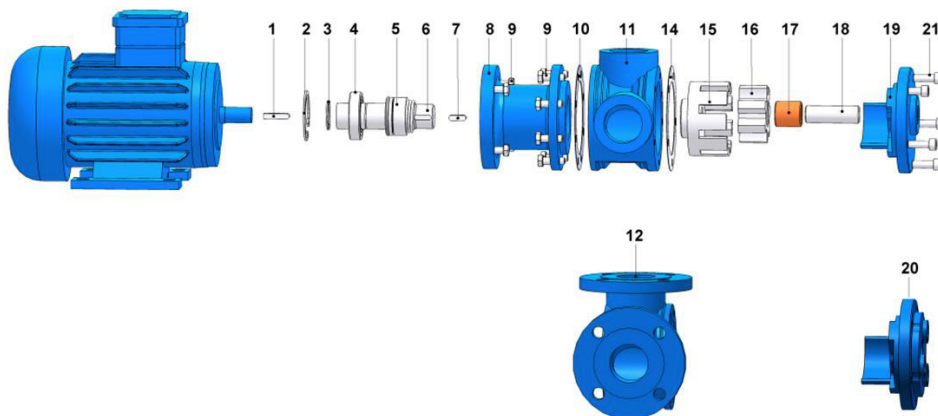


Spare Parts List - Sealed with mechanical seal and pressure relief valve on cover:



No.	Part Name.	Qty.	No.	Part Name.	Qty.
1	Motor Key 6x6x30 AB	1	17	Idler Bushing	1
2	Internal Circlip (ø55)	1	18	Cover Pin	1
3	External Circlip (ø30)	1	19	Cover (w/ Bypass Inlets)	1
4	Ball Bearing (6006-2RS)	1	20	Inbus Bolts M8x25	9
5	Mechanical Seal Ø30	1	21	Bypass Gasket	1
6	Shaft	1	22	Pressure Relief Valve - Bypass	1
7	Rotor Key 6x6x20 A	1	23	Bypass O-Ring	1
8	Mounting Flange	1	24	Valve	1
9	Hex Bolt M8x25	12	25	Spring	1
10	Bracket Gasket	1	26	Washer	1
11	Casing (w/ 90° Threaded Ports)	1	27	Bypass Cover	1
12	Casing (w/ 90° Flanged Ports)	1	28	Cap O-Ring	1
13	-----		29	Nut M8	1
14	Cover Gasket	1	30	Adjusting Screw M8x55	1
15	Rotor Gear	1	31	Cap	1
16	Idler Gear	1			

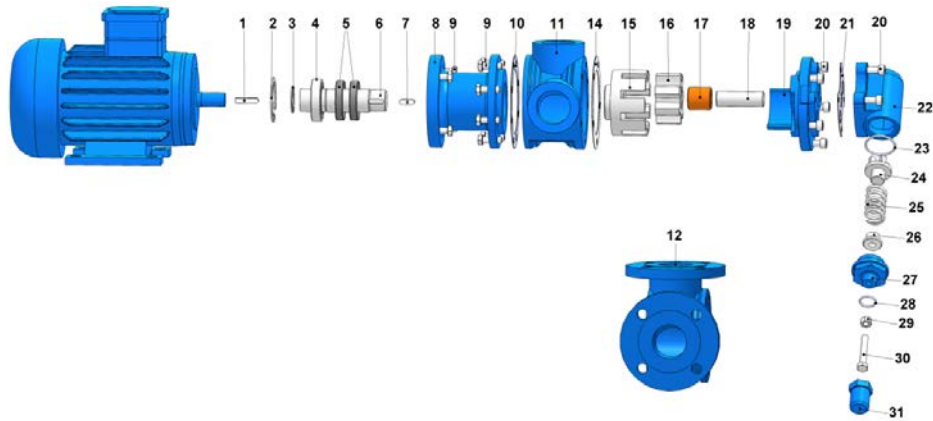
Spare Parts List - Sealed with mechanical seal, jacketed, and with blind cover:



No.	Part Name.	Qty.	No.	Part Name.	Qty.
1	Motor Key 6x6x30 AB	1	13	-----	
2	Internal Circlip (ø55)	1	14	Head Gasket	1
3	External Circlip (ø30)	1	15	Rotor Gear	1
4	Ball Bearing (6006-2RS)	1	16	Idler Gear	1
5	Mechanical Seal Ø30	1	17	Idler Bushing	1
6	Shaft	1	18	Cover Pin	1
7	Rotor Key 6x6x20 A	1	19	Blind Cover	1
8	Mounting Flange	1	20	Cover (w/ Heating Jacket)	1
9	Hex Bolt M8x25	12	21	Inbus Bolt M8x25	5
10	Bracket Gasket	1		Inbus Bolt M8x30 For Cover w/ Heating Jacket	5
11	Casing (w/ 90° Threaded Ports)	1			
12	Casing (w/ 90° Flanged Ports)	1			

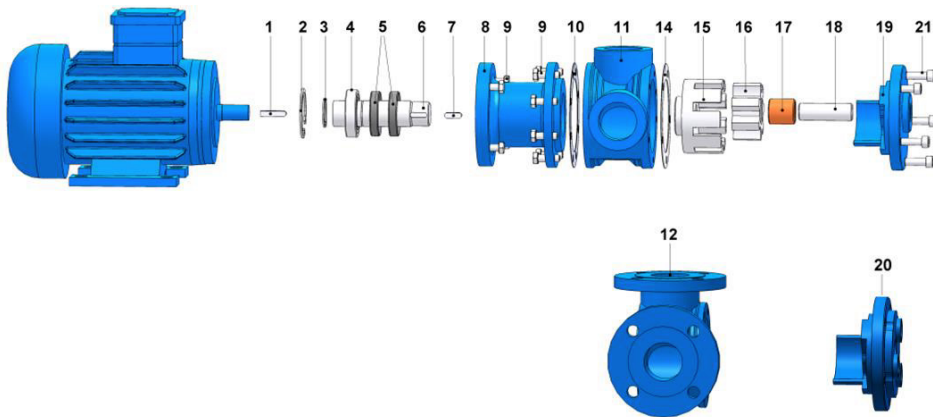


Spare Parts List - Sealed with lip seal and pressure relief valve on cover:



No.	Part Name.	Qty.	No.	Part Name.	Qty.
1	Motor Key 6x6x30 AB	1	17	Idler Bushing	1
2	Internal Circlip (ø55)	1	18	Cover Pin	1
3	External Circlip (ø30)	1	19	Cover (w/ Bypass Inlets)	1
4	Ball Bearing (6006-2RS)	1	20	Hex Socket M8x25	9
5	Lip Seal ø30xø52x10	2	21	Bypass Gasket	1
6	Shaft	1	22	Pressure Relief Valve - Bypass	1
7	Rotor Key 6x6x20 A	1	23	Bypass O-Ring	1
8	Mounting Flange	1	24	Valve	1
9	Hex Bolt M8x25	12	25	Spring	1
10	Bracket Gasket	1	26	Washer	1
11	Casing (w/ 90° Threaded Ports)	1	27	Bypass Cover	1
12	Casing (w/ 90° Flanged Ports)	1	28	Cap O-Ring	1
13	-----		29	Nut M8	1
14	Cover Gasket	1	30	Adjusting Screw M8x55	1
15	Rotor Gear	1	31	Cap	1
16	Idler Gear	1			

Spare Parts List - Sealed with lip seal, jacketed, and with blind cover:



No.	Part Name.	Qty.	No.	Part Name.	Qty.
1	Motor Key 6x6x30 AB	1	13	-----	
2	Internal Circlip (ø55)	1	14	Cover Gasket	1
3	External Circlip (ø30)	1	15	Rotor Gear	1
4	Ball Bearing (6006-2RS)	1	16	Idler Gear	1
5	Lip Seal ø30xø52x10	2	17	Idler Bushing	1
6	Shaft	1	18	Cover Pin	1
7	Rotor Key 6x6x20 A	1	19	Blind Cover	1
8	Mounting Flange	1	20	Cover (w/ Heating Jacket)	1
9	Hex Bolt M8x25	12	21	Hex Socket M8x25	5
10	Bracket Gasket	1		Hex Socket M8x30 For Cover w/ Heating Jacket	5
11	Casing (w/ 90° Threaded Ports)	1			
12	Casing (w/ 90° Flanged Ports)	1			