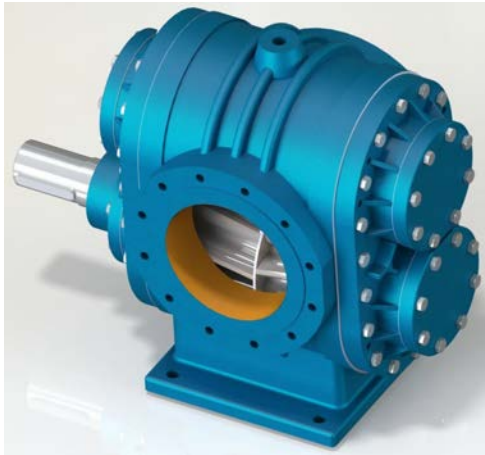




10" GOQ Helical Gear Pump



Performance:

Flow rate	250 m ³ /h
Pressure	1 - 15 bar
Temperature	0 - 200 °C
Speed	1 - 450 d/d
Viscosity	100 - 250000 SSU

Technical Features:

- ✓ Helical gear pump
- ✓ 10" flanged threaded connections
- ✓ Designed for medium pressure, high temperature applications
- ✓ Compact design
- ✓ Various material options
- ✓ Various sealing options
- ✓ Pressure relief valve on cover
- ✓ External jacket cover to maintain liquid temperature available
- ✓ 230v, three phase 50/60hz motors available
- ✓ Motor and gearbox drive available
- ✓ Manufactured according to CE regulations

Applications:

- ✓ Fuel oil, diesel fuel and gas oil transfer
- ✓ Molasses transfer
- ✓ Lubrication applications
- ✓ Coolant transfer
- ✓ Any fluids with lubricating properties
- ✓ Not suitable for fluids containing abrasive particles

Material Options:

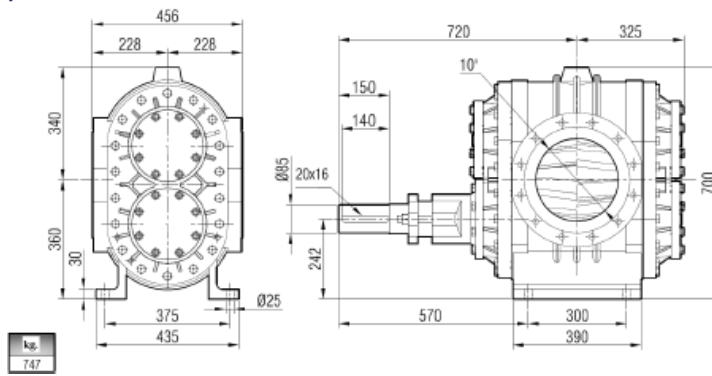
- ✓ Pump body, covers & gears: Cast iron, steel cast, stainless AISI 304/316 cast
- ✓ Bearings: Snbz 12 bronze, bearing, carbon graphite, Ina bushing bearing
- ✓ Sealing: Soft seal, mechanical seal

Capacity & Power Table					
Capacity (Q)	Speed (rpm)	Pressure			Viscosity
		0 Bar	3.5 Bar	7 Bar	
90	100	75 HP	100 HP	100 HP	25000 SSU
135	150	100 HP	100 HP	120 HP	7500 SSU
187	200	100 HP	100 HP	120 HP	2500 SSU
235	250	100 HP	120 HP	150 HP	750 SSU
280	300	75 HP	100 HP	150 HP	100 SSU

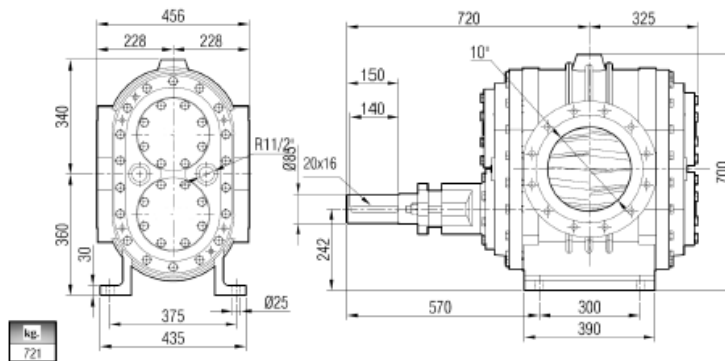




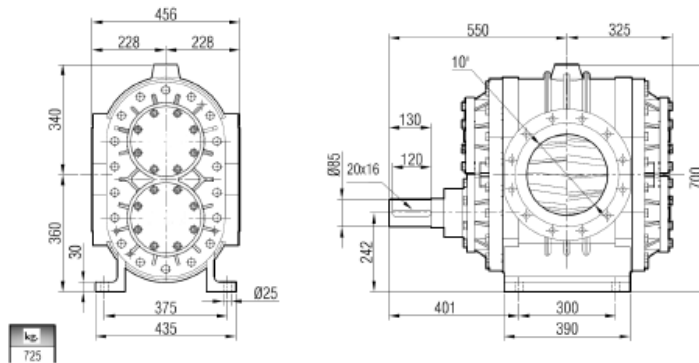
Pump Dimensions - Sealed with soft seal:



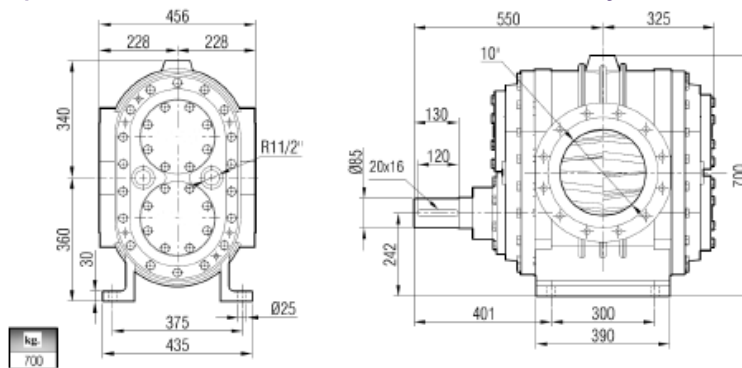
Pump Dimensions - Sealed with soft seal and jacketed:



Pump Dimensions - Sealed with mechanical seal:

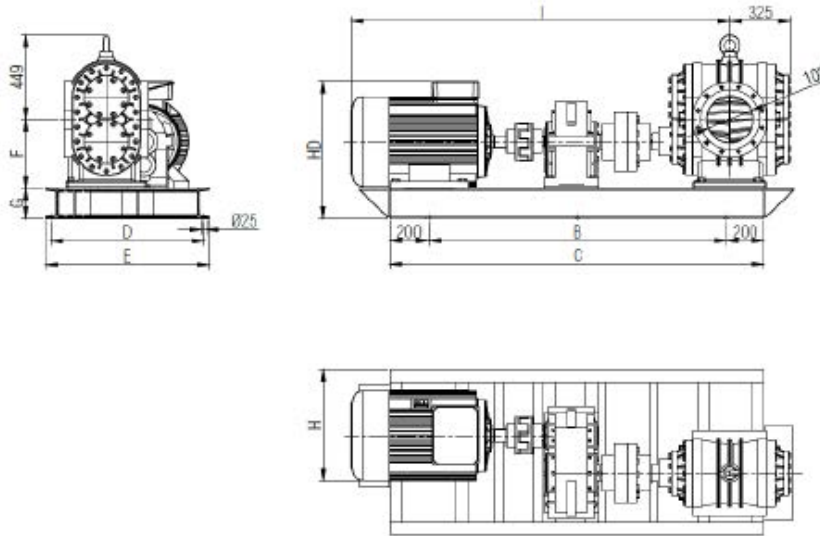


Pump Dimensions - Sealed with mechanical seal and jacketed:





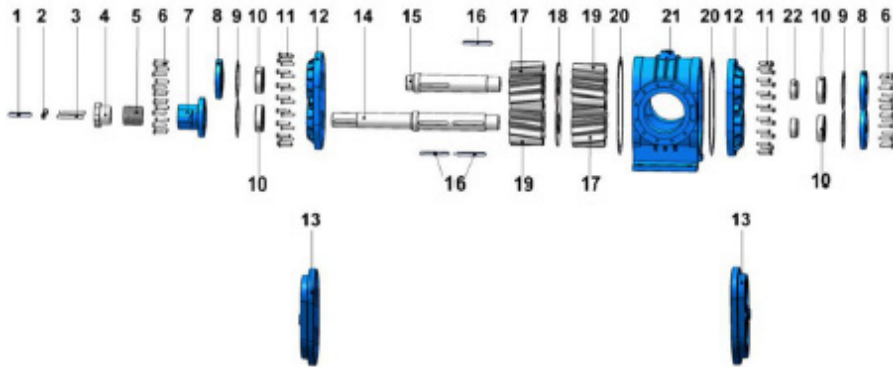
Coupling Dimensions - Gearbox Drive:



Motor Power & Speed		I	HD	H	B	C	D	E	F	G	Kg
75 hp / 55 kw A200-P9 / 250M	YUMUŞAK SALMASTRALI	2192	731	592	1765	2165	820	880	368	160	1666
	MEKANIK SALMASTRALI	2022			1595	1995					1638
100 hp / 75 kw A200-P9 / 280M	YUMUŞAK SALMASTRALI	2253	791	755	1865	2265	1030	1100	360	200	1907
	MEKANIK SALMASTRALI	2083			1695	2095					1873
120 hp / 90 kw A200-P9 / 280M	YUMUŞAK SALMASTRALI	2253	964	803	1865	2265	1030	1100	360	200	1961
	MEKANIK SALMASTRALI	2083			1695	2095					1927
150 hp / 110 kw A200-P9 / 315S	YUMUŞAK SALMASTRALI	2470	964	803	1975	2375	1030	1100	360	200	2105
	MEKANIK SALMASTRALI	2301			1805	2205					2074
175 hp / 132 kw A200-P9 / 315M	YUMUŞAK SALMASTRALI	2470	964	803	1975	2375	1030	1100	360	200	2187
	MEKANIK SALMASTRALI	2301			1805	2205					2156
150 hp / 110 kw 2A430-P9 / 315S	YUMUŞAK SALMASTRALI	2624	969	813	2130	2530	1280	1350	378	200	2495
	MEKANIK SALMASTRALI	2454			1960	2360					2464
175 hp / 132 kw 2A430-P9 / 315S	YUMUŞAK SALMASTRALI	2624	969	813	2130	2530	1280	1350	378	200	2577
	MEKANIK SALMASTRALI	2454			1960	2360					2568

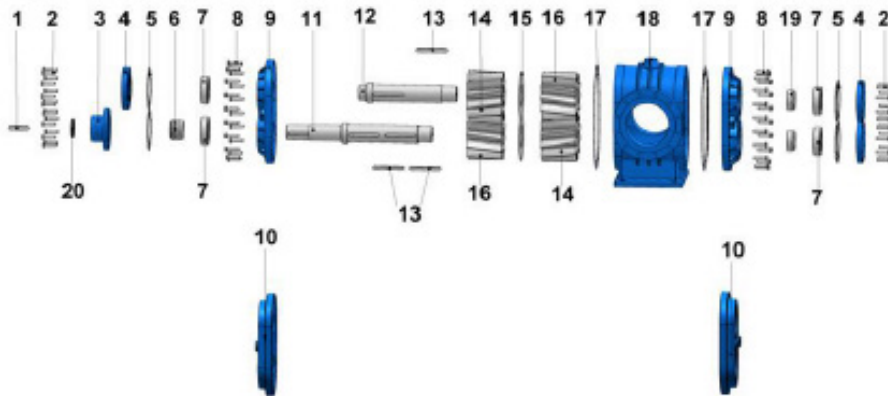


Spare Parts List - Sealed with soft seal:



No.	Part Name.	Qty.	No.	Part Name.	Qty.	No.	Part Name.	Qty.
1	Coupling Key 20x16x140 A	1	9	Bearing Cover Gasket	4	17	Left Helical Gear with Key & Shoulder	2
2	Nut M20	2	10	Bearing (NJ2218)	4	18	Interval Sheet Metal	1
3	Stud M20x160 (For Packing Seal)	2	11	Hex Bolt M16x70	36	19	Right Helical Gear with Key	2
4	Packing Press	1	12	Cover	2	20	Casing Gasket	2
5	Packing	1	13	Jacketed Cover	2	21	Casing	1
6	Hex Bolt M18x70	32	14	Driving Shaft	1	22	Spacer	2
6	Hex Screw M16x60 (For Jacketed Cover)	32						
7	Soft Seal Seat	1	15	Driven Shaft	1			
8	Ball Bearing Cover	3	16	Gear Key 20x16x180	3			

Spare Parts List - Sealed with mechanical seal:



No.	Part Name.	Qty.	No.	Part Name.	Qty.	No.	Part Name.	Qty.
1	Coupling Key 20x16x120 A	1	8	Hex Bolt M16x70	36	15	Interval Sheet Metal	1
2	Hex Bolt M18x70	32	9	Cover	2	16	Right Helical Gear with Key	2
	Hex Bolt M16x60 (For Jacketed Cover)	32	10	Jacketed Cover	2	17	Casing Gasket	2
3	Mechanical Seals	1	11	Driving Shaft	1	18	Casing	1
	Seat		12	Driven Shaft	1	19	Spacer	2
4	Ball Bearing Cover	3	13	Gear Key 20x16x180	3	20	Lip Seal (ø90xø110x13)	1
5	Bearing Cover Gasket	4	14	Left Helical Gear with Key & Sholder	2			
6	Mechanical Seal	1						
7	Bearing (NJ2218)	4						