



2½" GOQ Helical Gear Pump



Performance:

Flow rate	38 m ³ /h
Pressure	1 - 15 bar
Temperature	0 - 350 °C
Speed	1 - 450 d/d
Viscosity	100 - 250000 SSU

Technical Features:

- ✓ Helical gear pump
- ✓ 2½" flanged threaded connections
- ✓ Designed for medium pressure, high temperature applications
- ✓ Compact design
- ✓ Various material options
- ✓ Various sealing options
- ✓ Pressure relief valve on cover
- ✓ External jacket cover to maintain liquid temperature available
- ✓ 230v, three phase 50/60hz motors available
- ✓ Motor and gearbox drive available
- ✓ Manufactured according to CE regulations

Applications:

- ✓ Fuel oil, diesel fuel and gas oil transfer
- ✓ Molasses transfer
- ✓ Lubrication applications
- ✓ Coolant transfer
- ✓ Any fluids with lubricating properties
- ✓ Not suitable for fluids containing abrasive particles

Material Options:

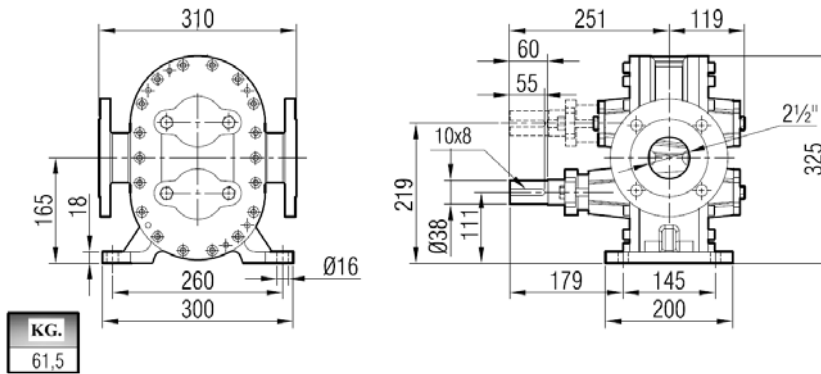
- ✓ Pump body, covers & gears: Cast iron, steel cast, stainless AISI 304/316 cast
- ✓ Bearings: Snbz 12 bronze, bearing, carbon graphite, Ina bushing bearing
- ✓ Sealing: Soft seal, mechanical seal



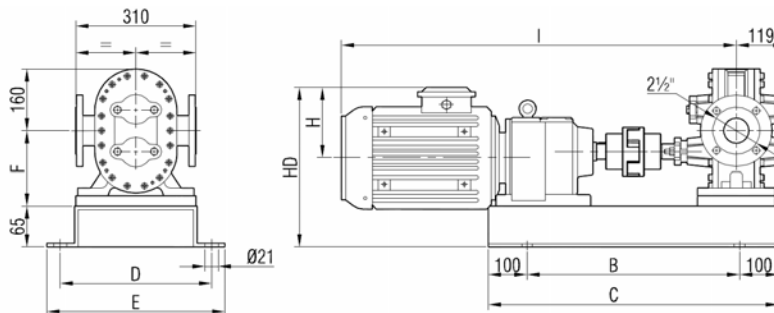
Capacity & Power Table					
Capacity (Q)	Speed (rpm)	Pressure			Viscosity
		0 Bar	3.5 Bar	7 Bar	
15.7	200	7.5 HP	10 HP	15 HP	25000 SSU
24	300	10 HP	15 HP	20 HP	7500 SSU
34	400	10 HP	15 HP	20 HP	2500 SSU
43	500	10 HP	15 HP	20 HP	750 SSU
37	500	7.5 HP	10 HP	20 HP	100 SSU



Pump Dimensions:



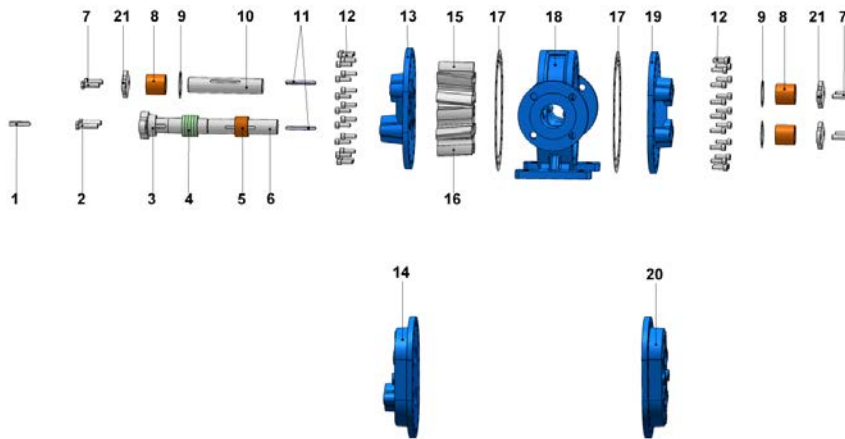
Coupling Dimensions - Gearbox Drive:



Motor Power & Speed			I	HD	H	B	C	D	E	F	Kg
7.5 hp / 5.5 kw	75 / 450 d/d (rpm)	IRAM72/132S	943	371	182	580	780	380	420	194	168
10 hp / 7.5 kw	115 / 450 d/d (rpm)	IRAM72/132M	1018								179
15 hp / 11 kw	205 / 450 d/d (rpm)	IRAM72/C132M	181								
20 hp / 15 kw	130 / 450 d/d (rpm)	IRAM82/160L	1206	457	225	680	880	390	430	234	318

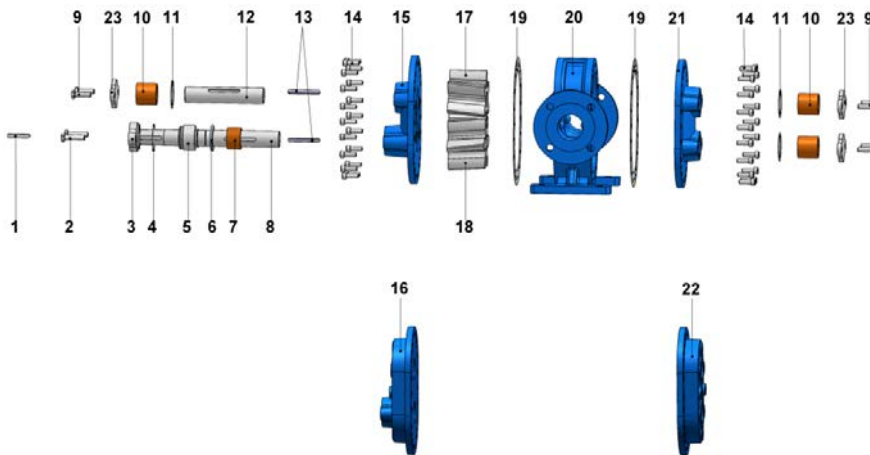


Spare Parts List - Sealed with soft seal:



No.	Part Name.	Qty.	No.	Part Name.	Qty.	No.	Part Name.	Qty.
1	Coupling Key 10x8x55 AB	1	8	Bushing	3	15	Right Helical Gear	1
2	Hex Bolt M12x50	2	9	Bushing Cover O-Ring	3	16	Left Helical Gear	1
3	Packing Press	1	10	Driven Shaft	1	17	Casing Gasket	2
4	Packing Gland / Soft Seal	5	11	Gear Key 8x7x80 A	2	18	Casing	1
5	Seal Bushing	1	12	Imbus Bolt M10x30	36	19	Back Cover	1
6	Driving Shaft	1	13	Front Cover	1	20	Jacketed Back Cover	1
7	Hex Bolt M12x40	6	14	Jacketed Front Cover	1	21	Bushing Cover	3

Spare Parts List - Sealed with mechanical seal:



No.	Part Name.	Qty.	No.	Part Name.	Qty.	No.	Part Name.	Qty.
1	Coupling Key 10x8x55 AB	1	9	Hex Bolt M12x40	6	17	Right Helical Gear	1
2	Hex Bolt M12x50	2	10	Bushing	3	18	Left Helical Gear	1
3	Mechanical Seal Cover	1	11	Bushing Cover O-Ring	3	19	Casing Gasket	2
4	Mechanical Seal Cover O-Ring	1	12	Driven Shaft	1	20	Casing	1
5	Mechanical Seal	1	13	Gear Key 8x7x80 A	2	21	Back Cover	1
6	Mechanical Seal Washer	1	14	Hex Socket M10x30	36	22	Jacketed Back Cover	1
7	Seal Bushing	1	15	Front Cover	1	23	Bushing Cover	3
8	Driving Shaft	1	16	Jacketed Front Cover	1			