



## 4" GOQ Helical Gear Pump



### Performance:

Flow rate	76 m <sup>3</sup> /h
Pressure	1 - 15 bar
Temperature	0 - 200 °C
Speed	1 - 450 d/d
Viscosity	100 - 250000 SSU

### Technical Features:

- ✓ Helical gear pump
- ✓ 4" flanged threaded connections
- ✓ Designed for medium pressure, high temperature applications
- ✓ Compact design
- ✓ Various material options
- ✓ Various sealing options
- ✓ Pressure relief valve on cover
- ✓ External jacket cover to maintain liquid temperature available
- ✓ 230v, three phase 50/60hz motors available
- ✓ Motor and gearbox drive available
- ✓ Manufactured according to CE regulations

### Applications:

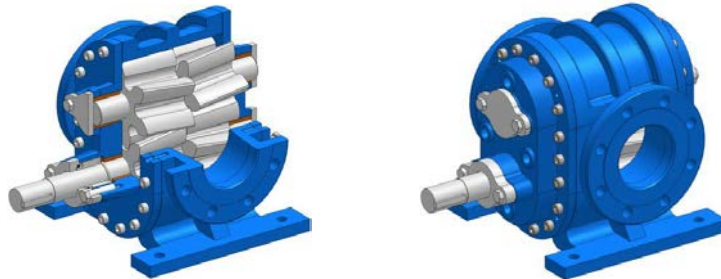
- ✓ Fuel oil, diesel fuel and gas oil transfer
- ✓ Molasses transfer
- ✓ Lubrication applications
- ✓ Coolant transfer
- ✓ Any fluids with lubricating properties
- ✓ Not suitable for fluids containing abrasive particles

### Material Options:

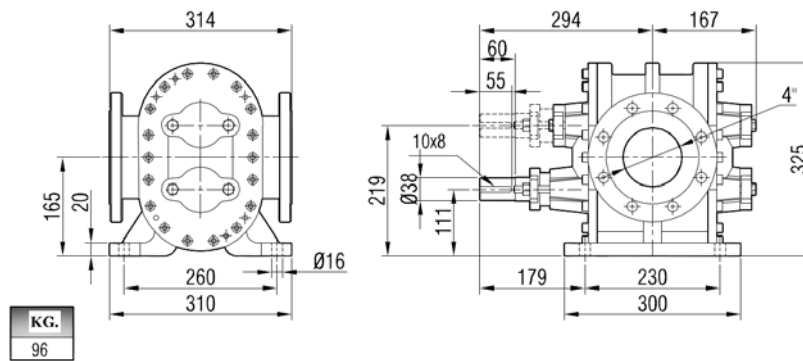
- ✓ Pump body, covers & gears: Cast iron, steel cast, stainless AISI 304/316 cast
- ✓ Bearings: Snbz 12 bronze, bearing, carbon graphite, Ina bushing bearing
- ✓ Sealing: Soft seal, mechanical seal



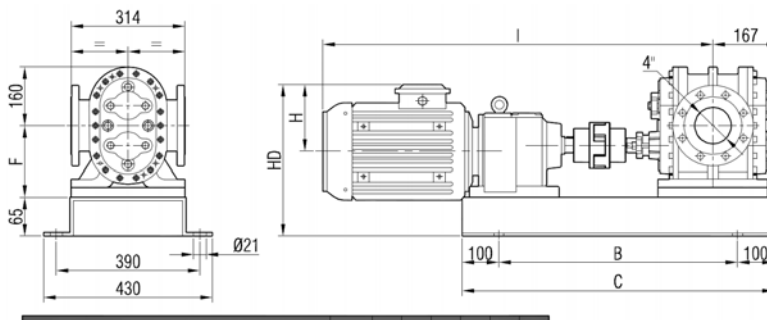
Capacity & Power Table					
Capacity (Q)	Speed (rpm)	Pressure			Viscosity
		0 Bar	3.5 Bar	7 Bar	
31	200	15 HP	20 HP	25 HP	25000 SSU
48	300	20 HP	25 HP	30 HP	7500 SSU
68	400	20 HP	25 HP	40 HP	2500 SSU
75	440	20 HP	25 HP	40 HP	750 SSU
78	500	15 HP	20 HP	40 HP	100 SSU



### Pump Dimensions:



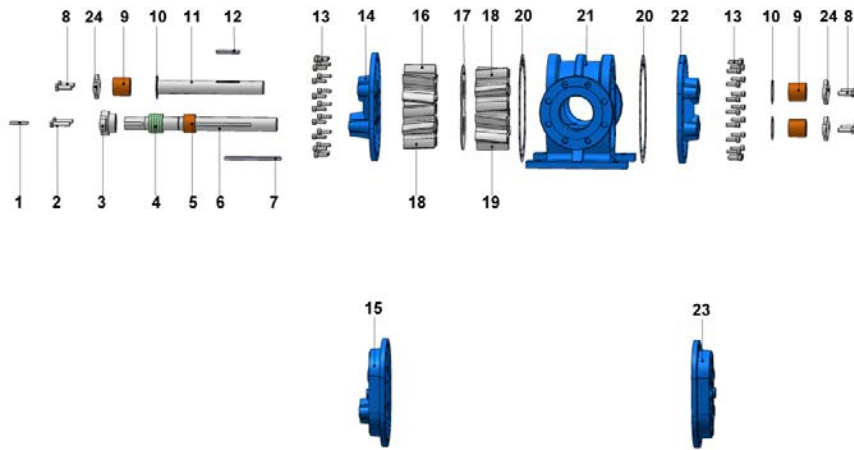
### Coupling Dimensions - Gearbox Drive:



Motor Power & Speed			I	HD	H	B	C	F	Kg
15 hp / 11 kw	205 / 450 d/d (rpm)	IRAM72/C132M	1064	371	182	680	880	194	221
20 hp / 15 kw	130 / 450 d/d (rpm)	IRAM82/160L	1249	457	225	750	950	234	357
25 hp / 18.5 kw	180 / 450 d/d (rpm)	IRAM82/180M	1261	480	248				377
30 hp / 22 kw	260 / 450 d/d (rpm)	IRAM82/180L	1299						402

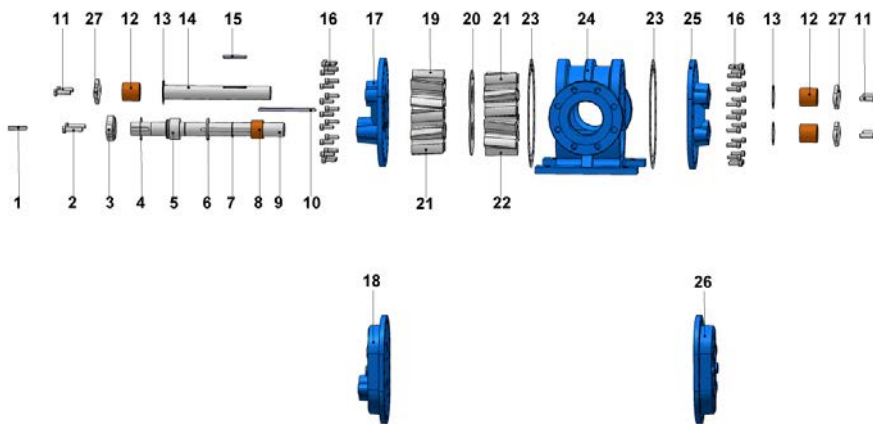


## Spare Parts List - Sealed with soft seal:



No.	Part Name.	Qty.	No.	Part Name.	Qty.	No.	Part Name.	Qty.
1	Coupling Key 10x8x55 AB	1	9	Bushing	3	17	Interval Sheet Material	1
2	Hex Bolt M12x50	2	10	Bushing Cover O-Ring	3	18	Left Helical Gear (w/ Key & Shoulder)	2
3	Packing Press	1	11	Driven Shaft	1	19	Right Helical Gear (w/ Key)	1
4	Soft Seal / Packing Gland	1	12	Driven Shaft Key 8x7x80 A	1	20	Casing Gasket	2
5	Seal Bushing	1	13	Imbus Bolt M10x30	36	21	Casing	1
6	Driving Shaft	1	14	Front Cover	1	22	Back Cover	1
7	Driving Shaft Key 8x7x170 A	1	15	Jacketed Front Cover	1	23	Jacketed Back Cover	1
8	Hex Bolt M12x40	6	16	Right Helical Gear (w/out Key)	1	24	Bushing Cover	3

## Spare Parts List - Sealed with mechanical seal:



No.	Part Name.	Qty.	No.	Part Name.	Qty.	No.	Part Name.	Qty.
1	Coupling Key 10x8x55 AB	1	10	Driving Shaft Key 8x7x170 A	1	19	Right Helical Gear (w/out Key)	1
2	Hex Bolt M12x50	2	11	Hex Bolt M12x40	6	20	Interval Sheet Material	1
3	Mechanical Seal Cover	1	12	Bushing	3	21	Left Helical Gear (w/ Key & Shoulder)	2
4	Mechanical Seal Cover O-Ring	1	13	Bushing O-Ring	3	22	Right Helical Gear (w/ Key)	1
5	Mechanical Seal	1	14	Driven Shaft	1	23	Casing Gasket	2
6	Mechanical Seal Washer	1	15	Driven Shaft Key 8x7x80 A	1	24	Casing	1
7	External Circlip (ø40)	1	16	Imbus Bolt M10x30	36	25	Back Cover	1
8	Seal Bushing	1	17	Front Cover	1	26	Jacketed Back Cover	1
9	Driving Shaft	1	18	Jacketed Front Cover	1	27	Bushing Cover	3