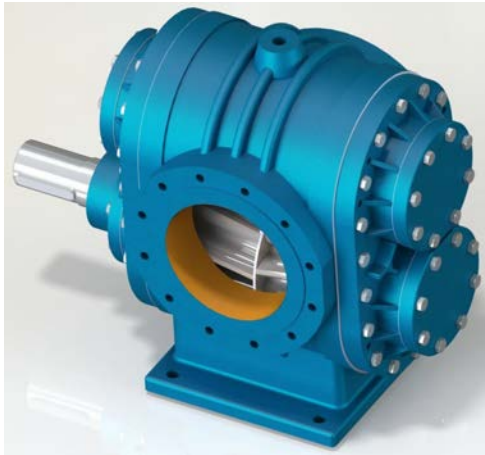




8" GOQ Helical Gear Pump



Performance:

Flow rate	250 m ³ /h
Pressure	1 - 15 bar
Temperature	0 - 200 °C
Speed	1 - 450 d/d
Viscosity	100 - 250000 SSU

Technical Features:

- ✓ Helical gear pump
- ✓ 8" flanged threaded connections
- ✓ Designed for medium pressure, high temperature applications
- ✓ Compact design
- ✓ Various material options
- ✓ Various sealing options
- ✓ Pressure relief valve on cover
- ✓ External jacket cover to maintain liquid temperature available
- ✓ 230v, three phase 50/60hz motors available
- ✓ Motor and gearbox drive available
- ✓ Manufactured according to CE regulations

Applications:

- ✓ Fuel oil, diesel fuel and gas oil transfer
- ✓ Molasses transfer
- ✓ Lubrication applications
- ✓ Coolant transfer
- ✓ Any fluids with lubricating properties
- ✓ Not suitable for fluids containing abrasive particles

Material Options:

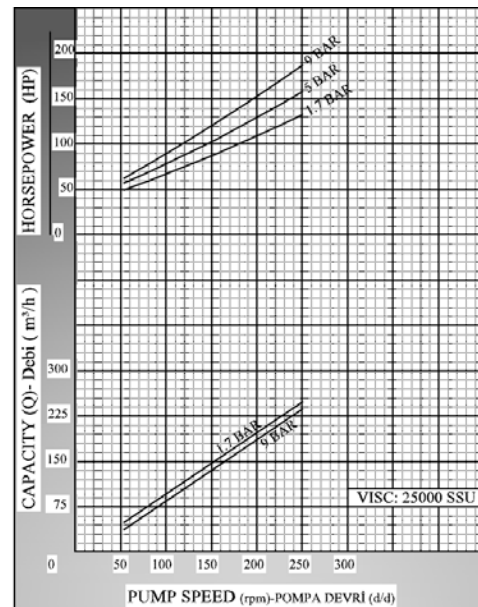
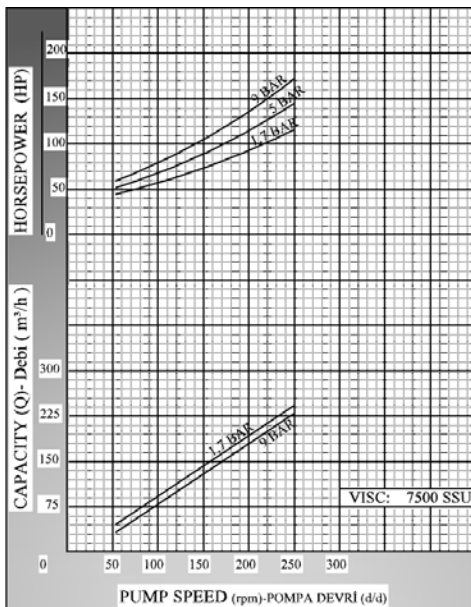
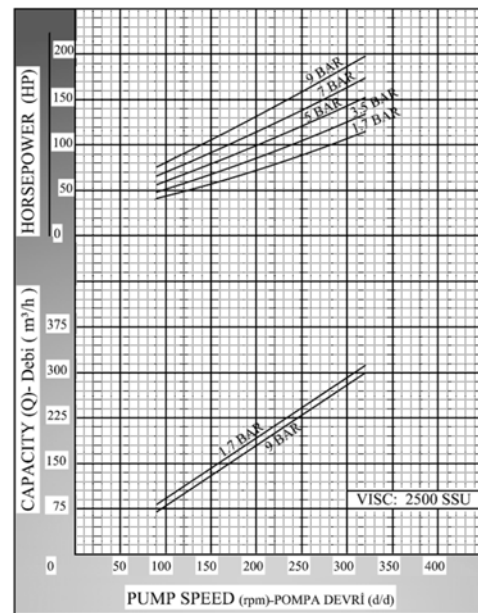
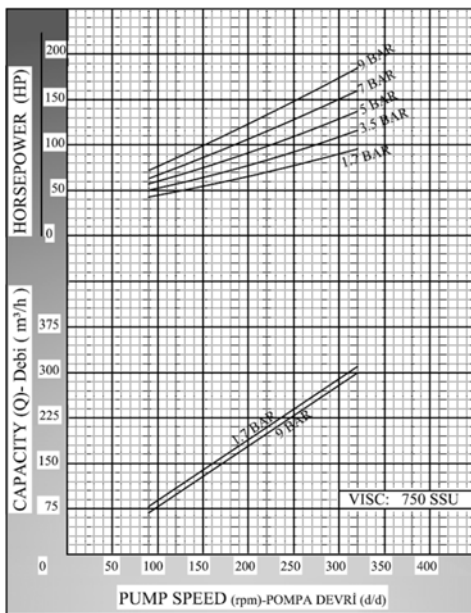
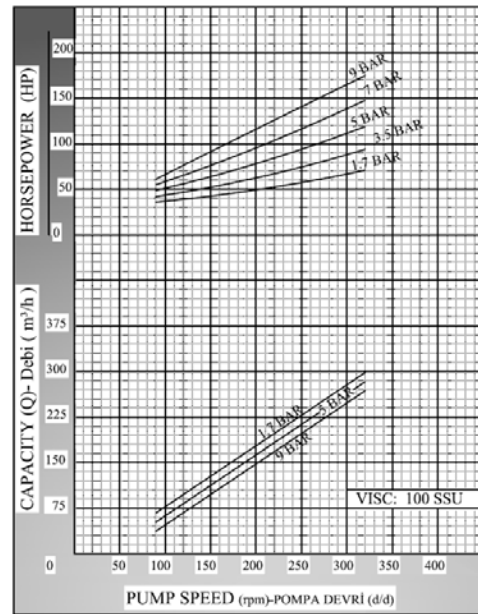
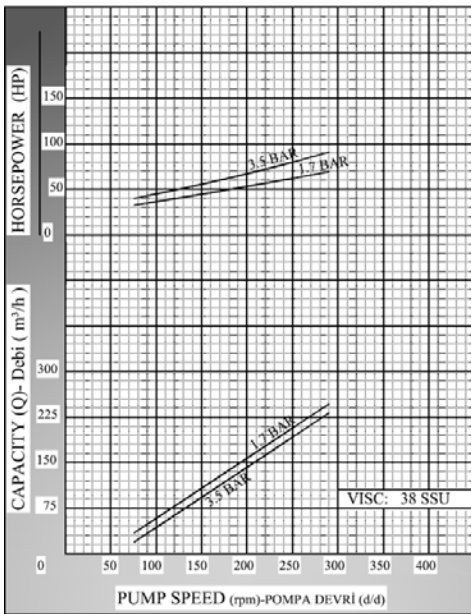
- ✓ Pump body, covers & gears: Cast iron, steel cast, stainless AISI 304/316 cast
- ✓ Bearings: Snbz 12 bronze, bearing, carbon graphite, Ina bushing bearing
- ✓ Sealing: Soft seal, mechanical seal

Capacity & Power Table					
Capacity (Q)	Speed (rpm)	Pressure			Viscosity
		0 Bar	3.5 Bar	7 Bar	
90	100	75 HP	100 HP	100 HP	25000 SSU
135	150	100 HP	100 HP	120 HP	7500 SSU
187	200	100 HP	100 HP	120 HP	2500 SSU
235	250	100 HP	120 HP	150 HP	750 SSU
280	300	75 HP	100 HP	150 HP	100 SSU



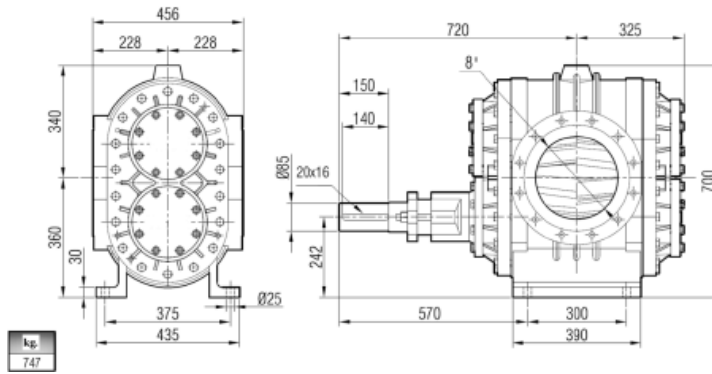


Performance Curves:

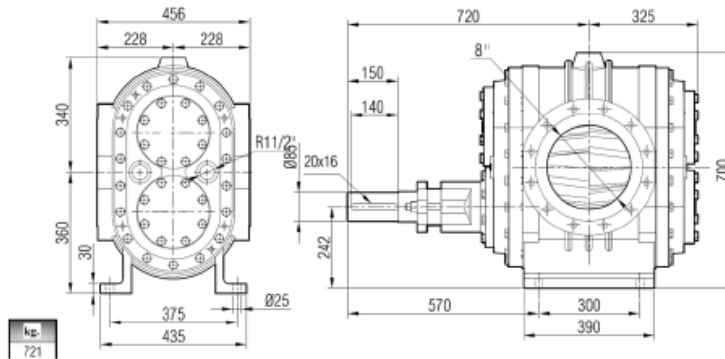




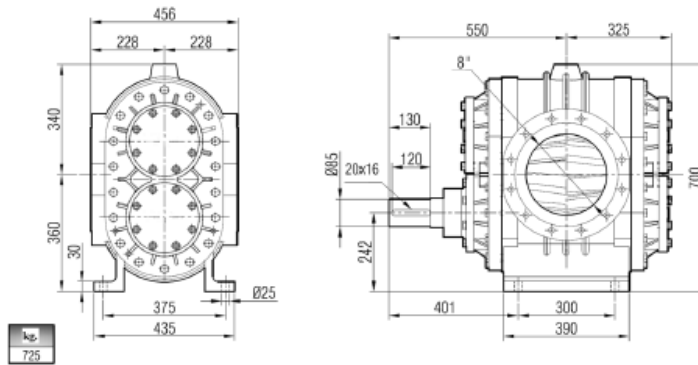
Pump Dimensions - Sealed with soft seal:



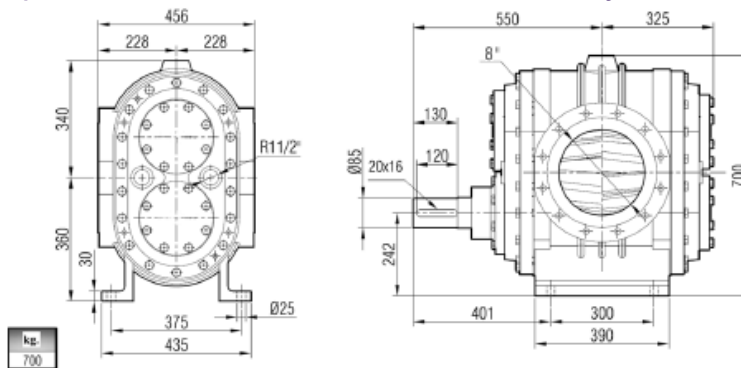
Pump Dimensions - Sealed with soft seal and jacketed:



Pump Dimensions - Sealed with mechanical seal:

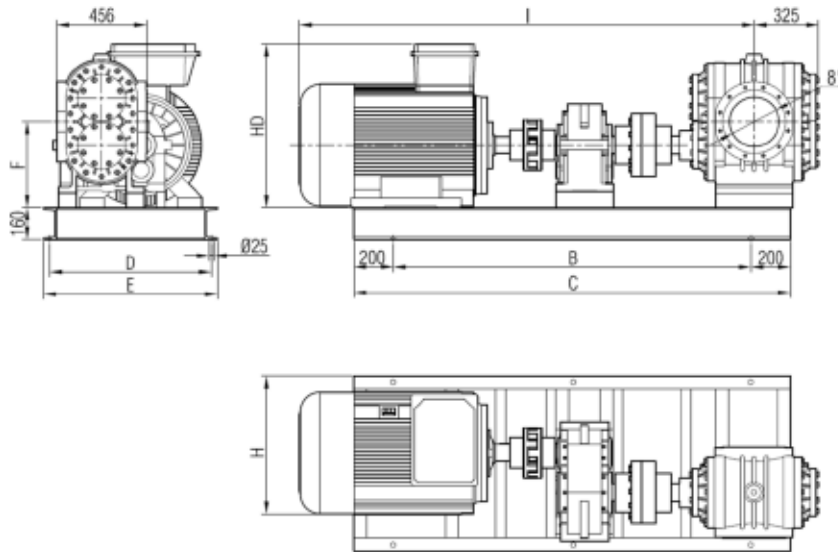


Pump Dimensions - Sealed with mechanical seal and jacketed:





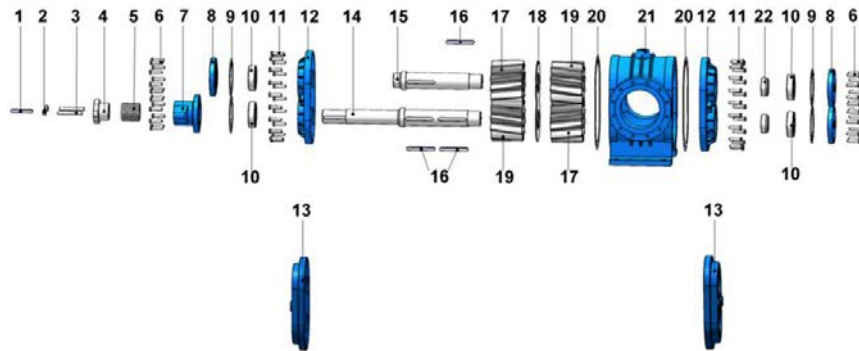
Coupling Dimensions - Gearbox Drive:



Motor Power & Speed			I	HD	H	B	C	D	E	F	Kg		
75 hp / 55 kw A200-P9 / 250M	YUMUŞAK SALMASTRALI	DN250	2175	692	677	1730	2130	980	1050	288	1660		
	MEKANIK SALMASTRALI		2024			1590	1990				1631		
100 hp / 75 kw A200-P9 / 280M	YUMUŞAK SALMASTRALI		2238	752	751	1825	2225	1030	1100	320	1823		
	MEKANIK SALMASTRALI		2089			1680	2080				1793		
120 hp / 90 kw A200-P9 / 280M	YUMUŞAK SALMASTRALI		2238			1825	2225				1877		
	MEKANIK SALMASTRALI		2089			1680	2080				1847		
150 hp / 110 kw A200-P9 / 315S	YUMUŞAK SALMASTRALI		2430	925	803	1920	2320			1280	1350	333	2043
	MEKANIK SALMASTRALI		2281			1770	2170						2013
175 hp / 132 kw A200-P9 / 315M	YUMUŞAK SALMASTRALI		2430			1920	2320						2125
	MEKANIK SALMASTRALI		2281			1770	2170						2095
150 hp / 110 kw 2A430-P9 / 315S	YUMUŞAK SALMASTRALI		2598	930	813	2090	2490	1280	1350			338	2423
	MEKANIK SALMASTRALI		2448			1940	2340						2393
175 hp / 132 kw 2A430-P9 / 315S	YUMUŞAK SALMASTRALI		2598			2090	2490						2504
	MEKANIK SALMASTRALI		2448			1940	2340						2497

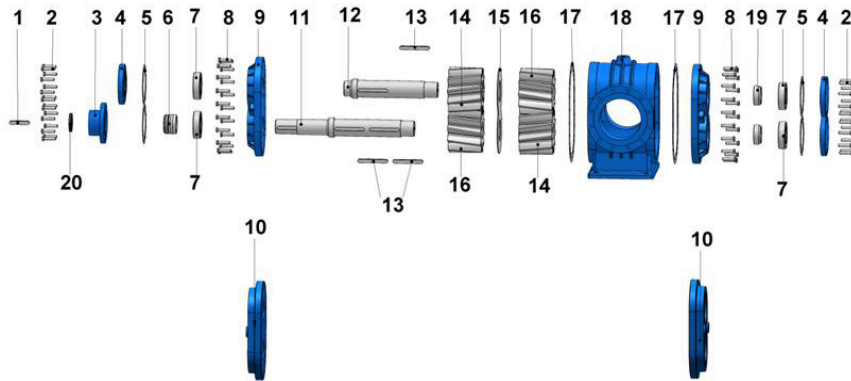


Spare Parts List - Sealed with soft seal:



No.	Part Name.	Qty.	No.	Part Name.	Qty.	No.	Part Name.	Qty.
1	Coupling Key 20x16x140 A	1	9	Bearing Cover Gasket	4	17	Left Helical Gear with Key & Shoulder	2
2	Nut M20	2	10	Bearing (NJ2218)	4	18	Interval Sheet Metal	1
3	Stud M20x160 (For Packing Seal)	2	11	Hex Bolt M16x70	36	19	Right Helical Gear with Key	2
4	Packing Press	1	12	Cover	2	20	Casing Gasket	2
5	Packing	1	13	Jacketed Cover	2	21	Casing	1
6	Hex Bolt M18x70	32	14	Driving Shaft	1	22	Spacer	2
6	Hex Screw M16x60 (For Jacketed Cover)	32						
7	Soft Seal Seat	1	15	Driven Shaft	1			
8	Ball Bearing Cover	3	16	Gear Key 20x16x180	3			

Spare Parts List - Sealed with mechanical seal:



No.	Part Name.	Qty.	No.	Part Name.	Qty.	No.	Part Name.	Qty.
1	Coupling Key 20x16x120 A	1	8	Hex Bolt M16x70	36	15	Interval Sheet Metal	1
2	Hex Bolt M18x70	32	9	Cover	2	16	Right Helical Gear with Key	2
	Hex Bolt M16x60 (For Jacketed Cover)	32	10	Jacketed Cover	2	17	Casing Gasket	2
3	Mechanical Seals	1	11	Driving Shaft	1	18	Casing	1
	Seat		12	Driven Shaft	1	19	Spacer	2
4	Ball Bearing Cover	3	13	Gear Key 20x16x180	3	20	Lip Seal (ø90xø110x13)	1
5	Bearing Cover Gasket	4	14	Left Helical Gear with Key & Sholder	2			
6	Mechanical Seal	1						
7	Bearing (NJ2218)	4						