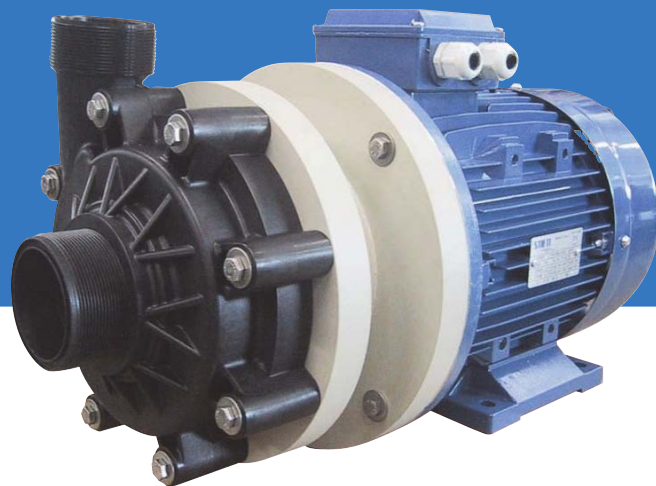


## **HCO Mechanical seal centrifugal pumps**

## **HCO Pompe centrifughe orizzontali con tenuta meccanica**



### **FEATURES**

- *Materials available: PP / PVDF;*
- *Flow up to 60 m<sup>3</sup>/h; Pressure up to 38 mcl;*
- *Temperature: PP: max 70 °C – PVDF: max 90 °C;*
- *Max viscosity: 200 cSt;*
- *Pressure rating: NP 6 at 20°C;*
- *Lip seal for pumps size 95-10; internal PTFE bellows mechanical seal for all the other sizes;*
- *Suitable for high corrosive liquids containing solids in suspension;*

### **STANDARD**

- *Gas threaded in and out connections*
- *Direct starting motor*

### **OPTIONAL**

- *Flanges available*
- *Dry- running protection*
- *Baseplate*

### **CARATTERISTICHE**

- *Materiali disponibili: PP / PVDF;*
- *Portata fino a 60 m<sup>3</sup>/h; Pressione fino a 38 mcl;*
- *Temperatura max di esercizio: PP: 70°C – PVDF: 90°C;*
- *Viscosità massima: 200 cSt;*
- *Pressione nominale massima: PN 6 a 20°C;*
- *Tenuta a labbro per la grandezza 95-10, tenuta meccanica interna con soffiello in PTFE per tutte le altre grandezze;*
- *Adatte al pompaggio di liquidi altamente corrosivi con presenza di solidi in sospensione.*

### **STANDARD**

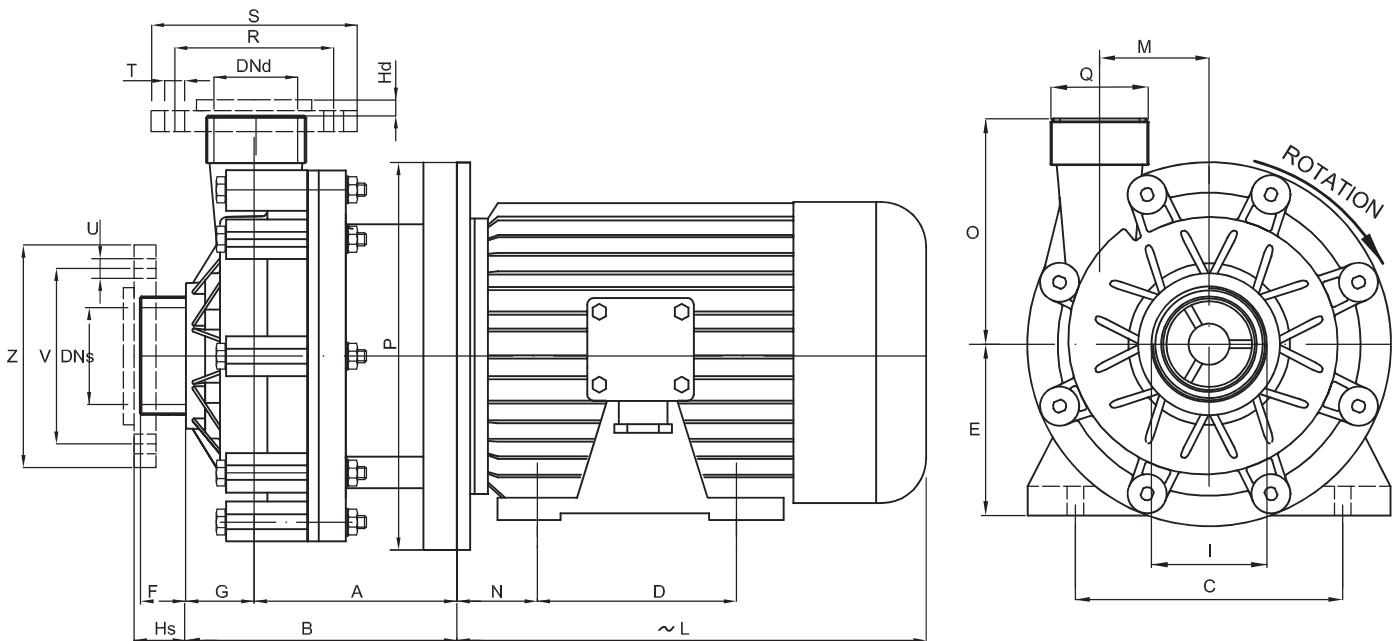
- *Attacchi aspirazione e mandata filettati gas*
- *Avviamento diretto*

### **OPTIONAL**

- *Flange*
- *Dispositivo contro la marcia a secco*
- *Basamento*

# HCO 95/10 - 110 - 120 - 130 - 140 - 150 - 155 - 160 - 170 PP/PVDF

## DIMENSIONS - DIMENSIONI D'INGOMBRO



PUMP TYPE	FLANGES DIMENSIONS - mm -							
	R	S	T	U	V	Z	DN <sub>s</sub>	DN <sub>d</sub>
HCO 95-10	85	115	14	18	110	150	40	25
HCO 110	125	168	18	18	145	188	65	50
HCO 120	125	168	18	18	145	188	65	50
HCO 130	125	168	18	18	145	188	65	50
HCO 140	125	168	18	18	145	188	65	50
HCO 150	145	188	18	18	160	203	80	65
HCO 155	145	188	18	18	160	203	80	65
HCO 160	145	188	18	18	160	203	80	65
HCO 170	145	188	18	18	160	203	80	65

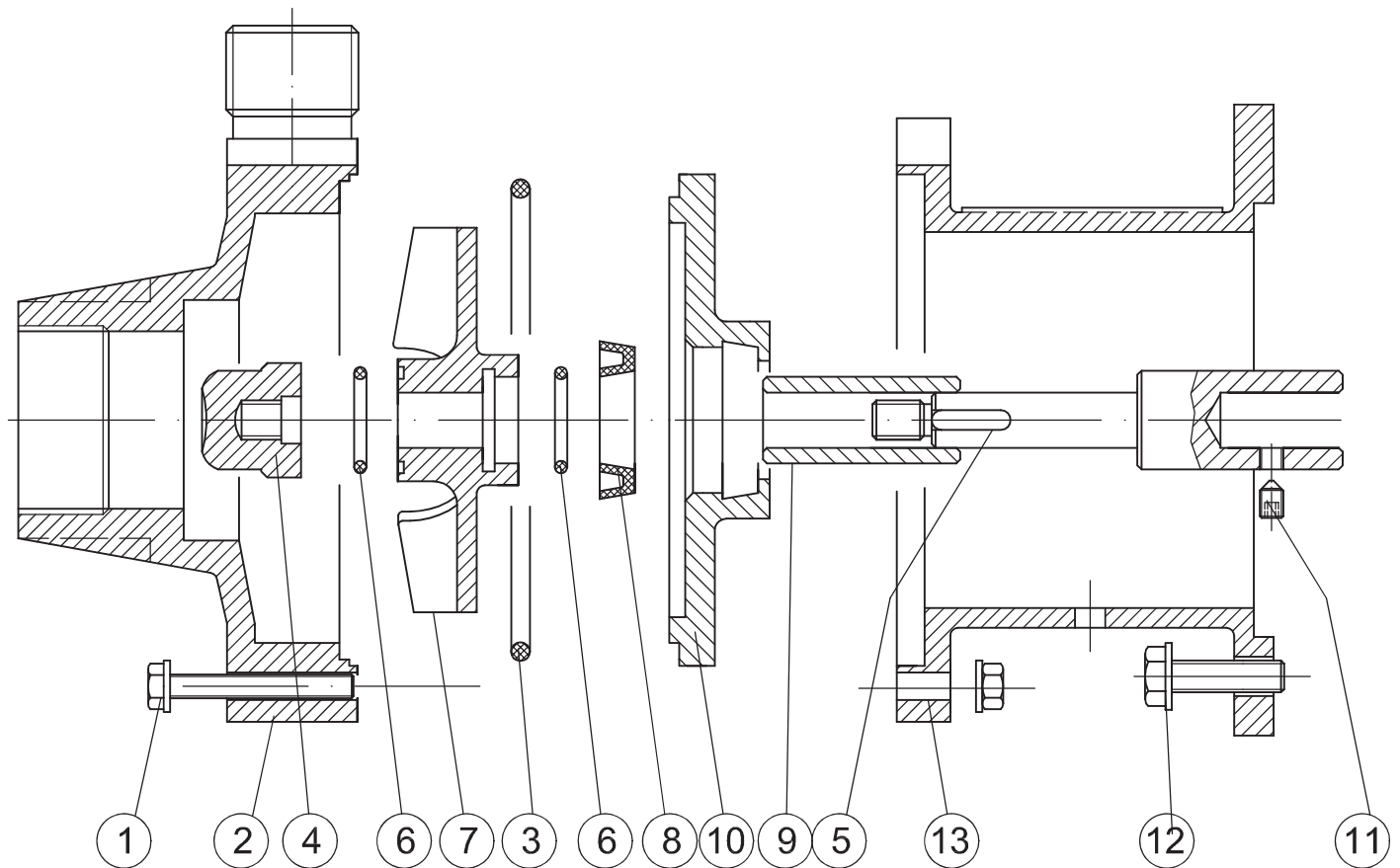
**NOTE: DIRECTION OF ROTATION IS COUNTER CLOCKWISE AS SEEN WHEN FACING THE MOTOR. PUMPS AVAILABLE THREADED OR FLANGED.**

**NOTA: ROTAZIONE ANTIORARIA VISTA DAL MOTORE. POMPE DISPONIBILI CON ATTACCHI FILETTATI O FLANGIATI.**

PUMP TYPE	MOTOR FLANGE B3 - B5	POT. kW	DIMENSIONS - mm -															
			A	B	C	D	E	F	G	H <sub>s</sub>	H <sub>d</sub>	I	~L	M	N	O	P	Q
HCO 95-10	G 71 B	0,55	110	180	112	90	71	-	70	20	9	1 1/2 FEMALE	215	45	45	100	160	1" MALE
HCO 110	G 80 B	1,1	199	260	125	100	80	30	61	44	13	2 1/2 MALE	232	66	50	140	200	2" MALE
HCO 120	G 90 S	1,5	199	260	140	100	90	30	61	44	13	2 1/2 MALE	255	66	56	140	200	2" MALE
HCO 130	G 90 L	2,2	199	260	140	125	90	30	61	44	13	2 1/2 MALE	280	66	56	140	200	2" MALE
HCO 140	G 100	3	219	280	160	140	100	30	61	44	13	2 1/2 MALE	315	66	63	140	250	2" MALE
HCO 150	G 132 S	5,5	184	235	216	140	132	40	51	50	10	3" MALE	380	82,5	89	170	300	2 1/2 MALE
HCO 155	G 132 S	5,5	184	235	216	140	132	40	51	50	10	3" MALE	380	82,5	89	170	300	2 1/2 MALE
HCO 160	G 132 M	7,5	184	235	216	178	132	40	51	50	10	3" MALE	420	82,5	89	170	300	2 1/2 MALE
HCO 170	G 132 M	7,5	184	235	216	178	132	40	51	50	10	3" MALE	420	82,5	89	170	300	2 1/2 MALE

# HCO 95/10 PP/PVDF

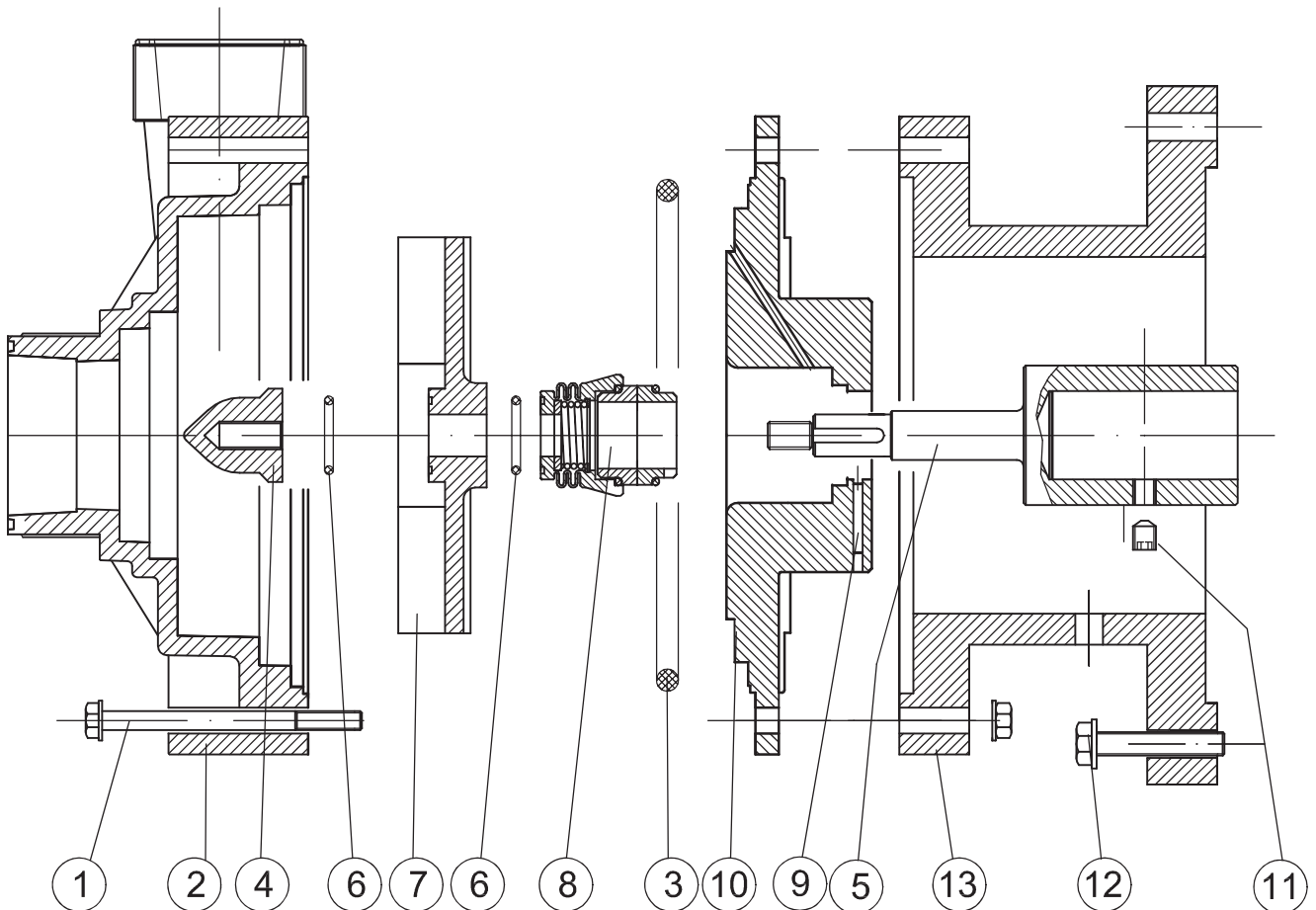
## SECTION AND PARTS LIST - SEZIONE E LISTA PARTI



POS.	1	2	3	4	5	6	7	8	9	10	11	12	13
PART. DESCR.	SET SCREWS	PUMP HEAD	O-RING	IMPELLER NUT	SHAFT	O-RING	IMPELLER	LIP SEAL	SHAFT SLEEVE	COVER	GRUB SCREW	SET SCREWS	BRACKET
Materials	AISI304	PP-PVDF	EPDM VITON	PP-PVDF	C 40 AISI316	EPDM VITON	PP-PVDF	EPDM VITON	Al <sup>2</sup> O <sup>3</sup>	PP-PVDF	AISI304	AISI304	PP

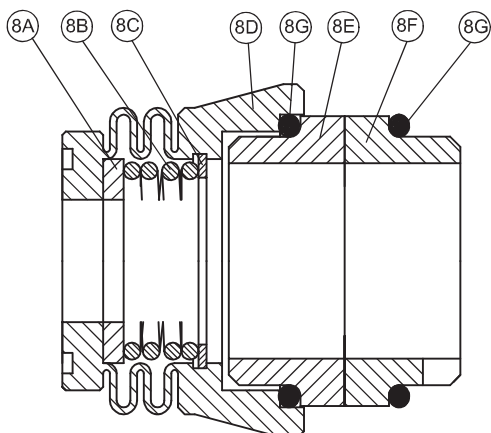
# HCO 110 - 120 - 130 - 140 - 150 - 155 - 160 - 170 PP/PVDF

## SECTION AND PARTS LIST - SEZIONE E LISTA PARTI



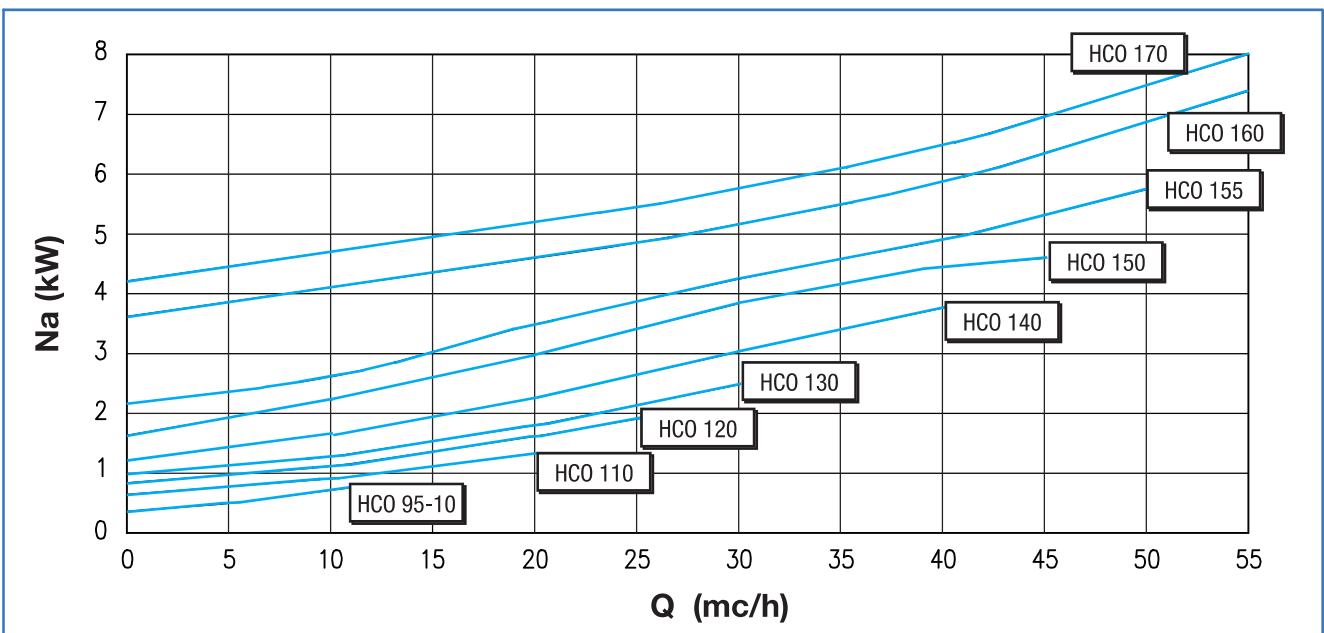
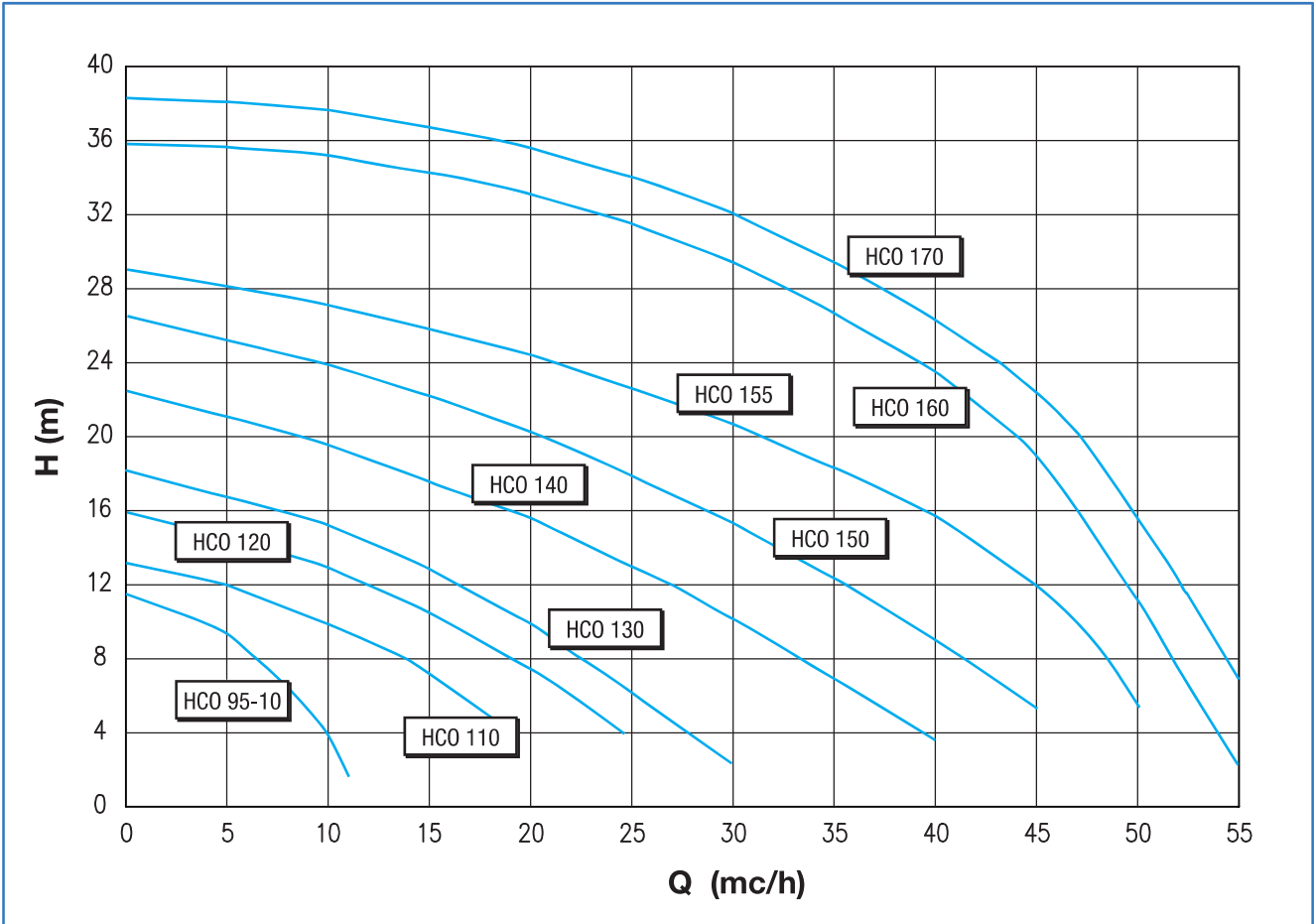
POS.	1	2	3	4	5	6	7	8	9	10	11	12	13
PART. DESCR.	SET SCREWS	PUMP HEAD	O-RING	IMPELLER NUT	SHAFT	O-RING	IMPELLER	MECHANICAL SEAL	PIN	COVER	GRUB SCREW	SET SCREWS	BRACKET
Materials	AISI304	PP-PVDF	EPDM VITON	PP-PVDF	C 40 AISI316	EPDM VITON	PP-PVDF	●	AISI304	PP-PVDF	AISI304	AISI304	PP

### MECHANICAL SEAL - PARTICOLARE DELLA TENUTA MECCANICA



POS.	8A	8B	8C	8D	8E	8F	8G
PART. DESCR.	SPRING SHOULDER	SPRING	LOCKING RING	BELLOW	ROTATING RING	STATIC RING	O-RING
Materials	C 40 AISI316	STEEL	STEEL	PTFE	SIC Al <sub>2</sub> O <sub>3</sub>	SIC Al <sub>2</sub> O <sub>3</sub>	EPDM VITON

# 50 HZ-2900 RPM CURVES - CURVE 50 HZ-2900 RPM



# RANGE OF PRODUCTION - PANORAMA PRODUTTIVO

## HTM PP/ PVDF



### MAG-DRIVE CENTRIFUGAL PUMPS

- Q max: 50 m<sup>3</sup>/h - H max: 32 mlc
- Materials: PP / PVDF

## HTM SS



### MAG-DRIVE CENTRIFUGAL PUMPS

- Q max: 30 m<sup>3</sup>/h - H max: 24 mlc
- Materials: AISI 316

## HTT



### REGENERATIVE MAG-DRIVE TURBINE PUMPS

- Q max: 8 m<sup>3</sup>/h - H max: 34 mlc
- Materials: PP / PVDF

## HTA



### REGENERATIVE MAG-DRIVE TURBINE PUMPS

- Q max: 7 m<sup>3</sup>/h - H max: 85 mlc
- Materials: AISI 316 L / HASTELLOY-C / TITANIUM

## HPP - HPF



### MAG-DRIVE VANE PUMPS SELF-PRIMING

- Q max: 400 l/h - H max: 5 bar
- Materials: PP / PVDF

## HTP



### ROTARY VANE MAG-DRIVE PUMPS DRY SELF-PRIMING

- Q max: 2000 l/h - H max: 12 bar
- Materials: AISI 316 L / HASTELLOY-C / TITANIUM

## HCO



### MECHANICAL SEALED CENTRIFUGAL PUMPS

- Q max: 60 m<sup>3</sup>/h - H max: 38 mlc
- Materials: PP / PVDF

## VPM / VPS / VPL



### LIQUID RING VACUUM PUMPS

- Q max: 450 m<sup>3</sup>/h - H max: 33 mbar
- Materials: AISI 316/316 L SS / ALLOY 20  
HASTELLOY-C / TITANIUM

## PVA



### VERTICAL CENTRIFUGAL PUMPS

- Q max: 30 m<sup>3</sup>/h - H max: 34 mlc
- Materials: AISI 316 / TITANIUM

## HVL



### VERTICAL CENTRIFUGAL PUMPS OPEN IMPELLER

- Q max: 55 m<sup>3</sup>/h - H max: 36 mlc
- Materials: PP / PVDF

## HTF



### DRUM PUMPS

- Q max: 130 l/min - H max: 22 mlc
- Materials: AISI 316 / PP / PVDF

## W 01



### WATTMETRIC RELAY

### DRY-RUNNING PROTECTION