

# VERTICAL CENTRIFUGAL PUMPS

## IM 160

MADE IN ITALY 

- **Product of Italian origin**
- Available in PP-PVDF
- Pump immersed in tank
- Removable motor even with pump installed
- No welded seams
- Operation also possible with heavily soiled fluids, with solids in suspension
- Max. flow rate 55 m<sup>3</sup>/h
- Max head 32 m
- Open impeller Ø 162 mm x H 11 mm (Standard impeller, for any special design with reference to the pumped fluid contact DEBEM's technical support), 10 gradi
- Simple replacement of wear bushing
- Extremely easy maintenance
- Also available without motor
- Low cost of spare parts
- Viscosity up to 500 CPS
- Column length: 500 / 800 / 1000 / 1250 mm (*other sizes on request*)
- Operating temperatures:  
PP min. +3°C / max. +65°C  
PVDF min. +3°C / max. +95°C
- Continuous operation: YES
- Warranty: 1 year, according to our general conditions of sale
- Spare parts: to identify the spare parts check the exploded views provided at the end of the operation and maintenance manual.

MODEL	Kw MOTOR	HP	MOTOR SIZE	RPM	MOTOR SPECIFICATIONS
IM160	7,5	10	B5	2900	THREE-PHASE 400/690 V-50/60 HZ 2-POLE efficiency class IE2 protection rating IP55 - Ambient temperature -30°C + 45° C / ATEX motor available

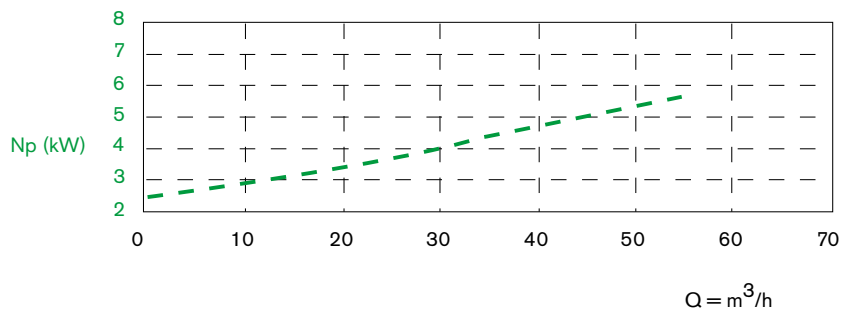
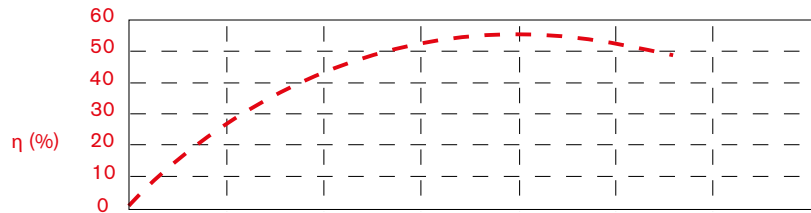
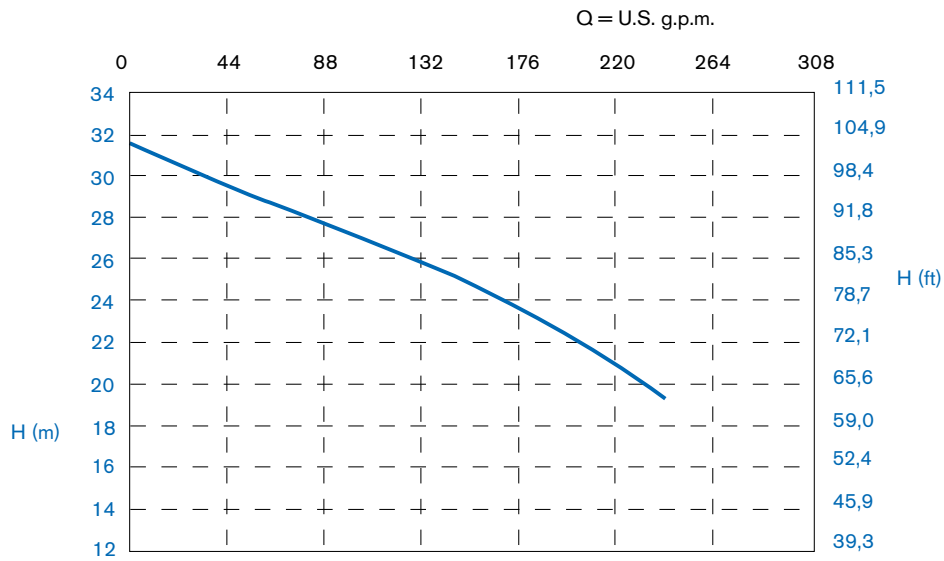
ATTENTION: technical data for standard motor, for any special design with reference to the pumped fluid contact DEBEM's technical support.



**Intake connections** G 2" 1/2 f (or DN 65 on request)  
**Delivery connections** G 2" m (or DN 50 on request)  
**Max. flow rate** 55 m<sup>3</sup>/h  
**Max head** 32 m  
**Construction materials** PP - PVDF

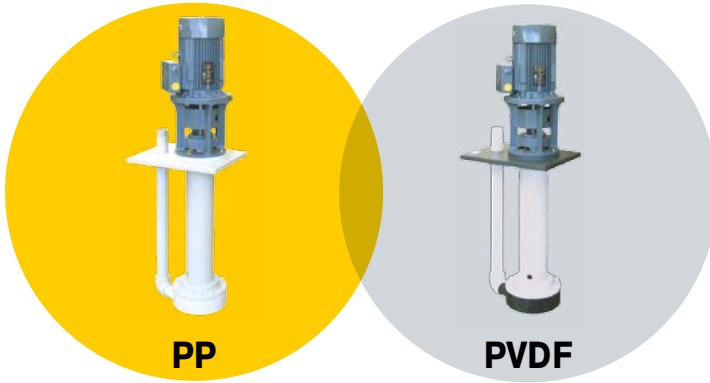
CE

**DEBEM**  
MADE IN ITALY

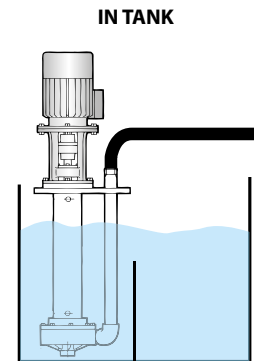


The curves and performance values refer to pumps spare delivery outlet and water at 20°C, 2 pole motor 50 Hz (2900rpm).

## AVAILABLE MATERIALS

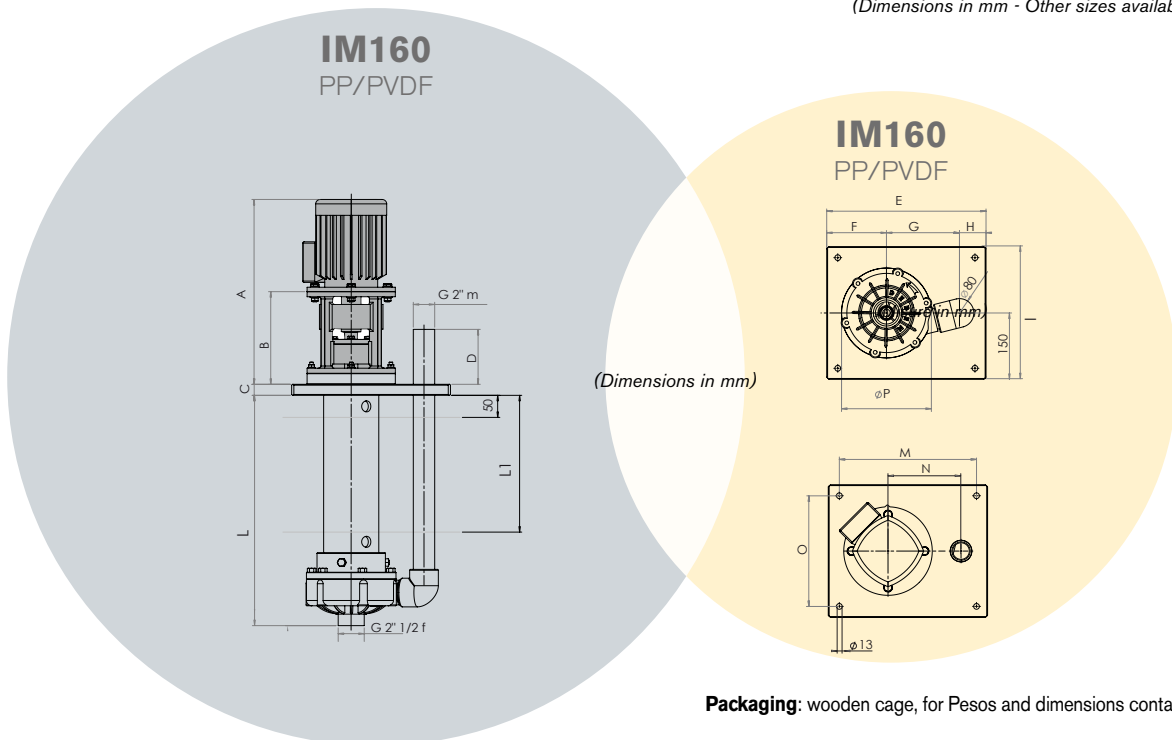


## INSTALLATION



L column	Peso PP	Peso PVDF	L1 max.
500	31 Kg	33 Kg	300
800	34 Kg	36 Kg	600
1000	36 Kg	38 Kg	800
1250	39 Kg	41 Kg	1050

(Dimensions in mm - Other sizes available on request)



**Packaging:** wooden cage, for Pesos and dimensions contact Debem staff.

MODEL	POWER	Ø PASSING SOLIDS	A	B	C	D	E	F	G	H	I	M	N	O	P	KG MOTOR
IM 160	7.5 Kw - 10 HP	9	702	303	25	130	480	170	215	95	380	430	215	330	Ø275	61

## IM COMPOSITION CODE

ex. **IM160P-V-0800-N**

IM160 in PP, O-Ring Viton, column length 800 mm, three-phase motor

IM160	P -	V	0800	N
PUMP MODEL	PUMP MATERIAL	O-RING	COLUMN LENGTH	MOTOR
<b>IM160</b> - IM 160	<b>P</b> - Polypropylene <b>FC</b> - PVDF+CF	<b>D</b> - EPDM <b>V</b> - Viton	<b>0500</b> - 500 mm <b>0800</b> - 800 mm <b>1000</b> - 1000 mm <b>1250</b> - 1250 mm	<b>N*</b> - Three-phase motor <b>M</b> - Single-phase motor <b>A</b> - ATEX motor

\*Standard motor is the three-phase induction type with European voltage (2-pole) 50Hz

## PRODUCT APPLICATION

