

HORIZONTAL CENTRIFUGAL PUMPS

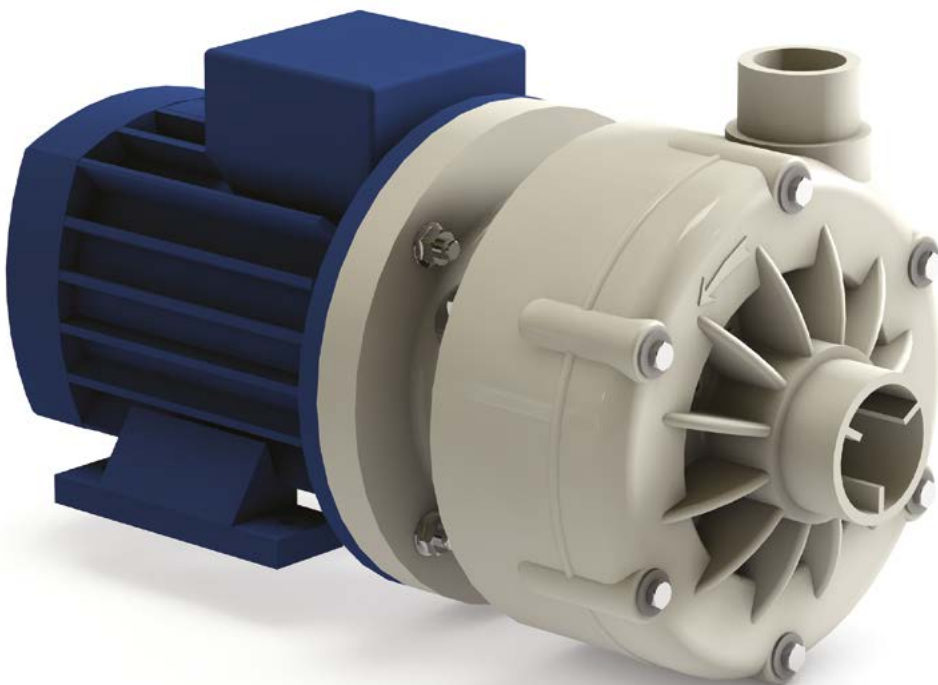
MB 130

MADE IN ITALY 

- **Product of Italian origin**
- Available in PP-PVDF
- Below head use
- No welded seams
- Seal: available with mechanical bellows seal (316 STAINLESS STEEL spring - SILICON CARBIDE + CERAMIC / SILICON CARBIDE + SILICON CARBIDE sealing ring) or with lip seal (VITON or EPDM)
- Operation also possible with heavily soiled fluids, with solids in suspension
- Max. flow rate 30 m³/h
- Max head 20 m
- Open impeller Ø 130 mm x H 8 mm (Standard impeller, for any special design with reference to the pumped fluid contact DEBEM's technical support)
- Extremely easy maintenance
- Low cost of spare parts
- Viscosity up to 500 CPS
- OPERATING TEMPERATURES:
PP min. +3°C / max. +65°C
PVDF min. +3°C / max. +95°C
- Continuous operation: YES
- Warranty: 1 year, according to our general conditions of sale.
- Spare parts: to identify the spare parts check the exploded views provided at the end of the operation and maintenance manual.

MODEL	Kw MOTOR	HP	MOTOR SIZE	RPM	MOTOR SPECIFICATIONS
MB130	2,2	3	B3+B5	2900	TRIFASE 230 / 400 V - 50 / 60 HZ 2 POLI (disponibilità motore monofase) classe di rendimento IE2 protezione IP55 - Temperatura ambiente -30°C + 45°C / Disponibilità motore ATEX

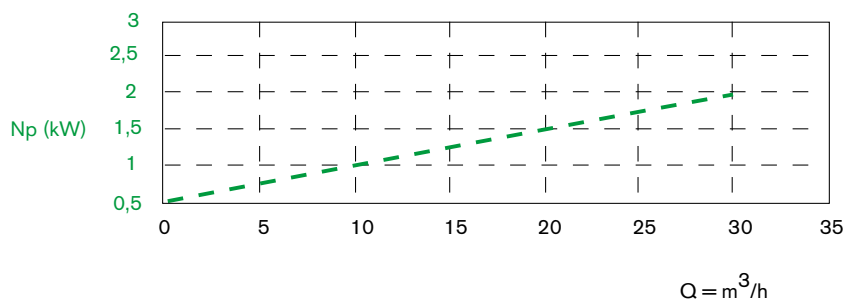
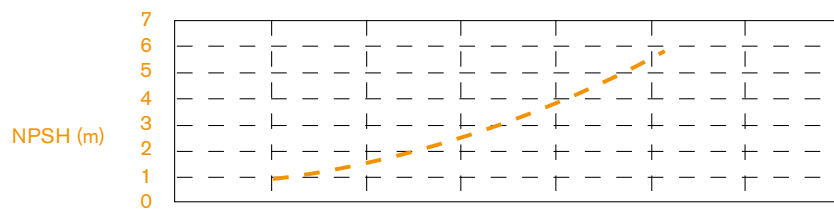
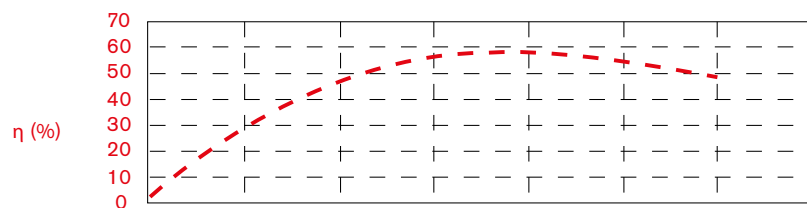
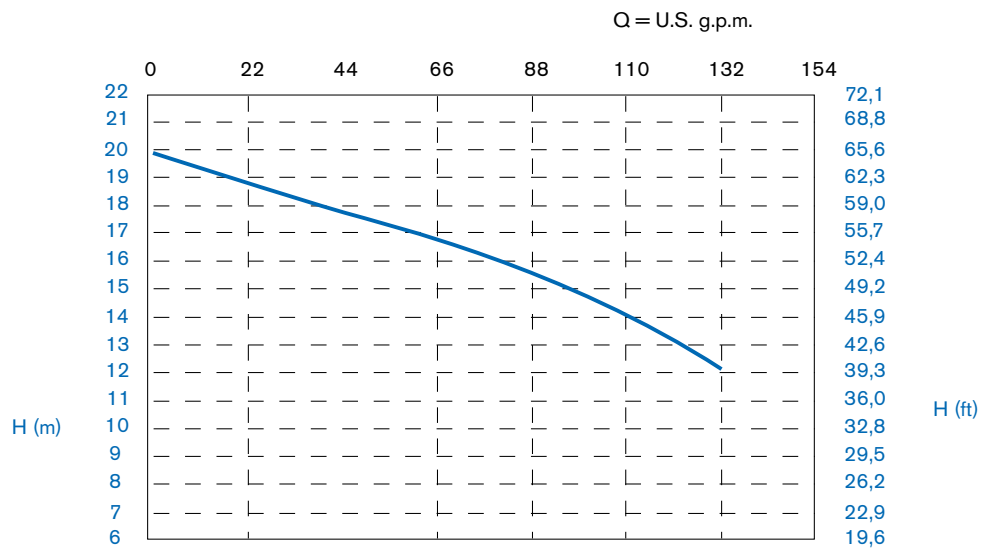
ATTENTION: technical data for standard motor, for any special design with reference to the pumped fluid contact DEBEM's technical support.



CE

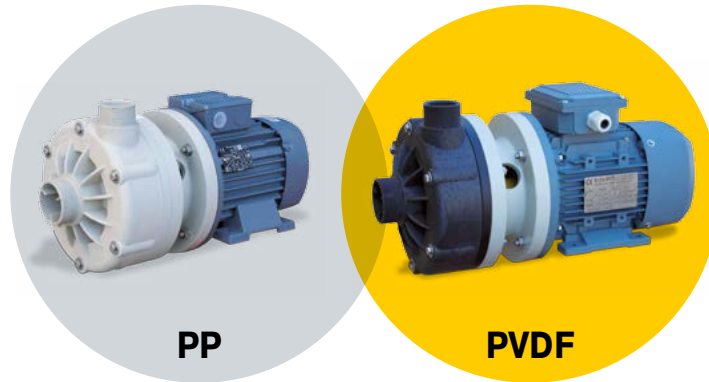
Intake connections G 2" m (or DN 50 on request)
Delivery connections G 1" 1/2 m (or DN 40 on request)
Max. flow rate 30 m³/h
Max. head 20 m
Construction materials PP - PVDF



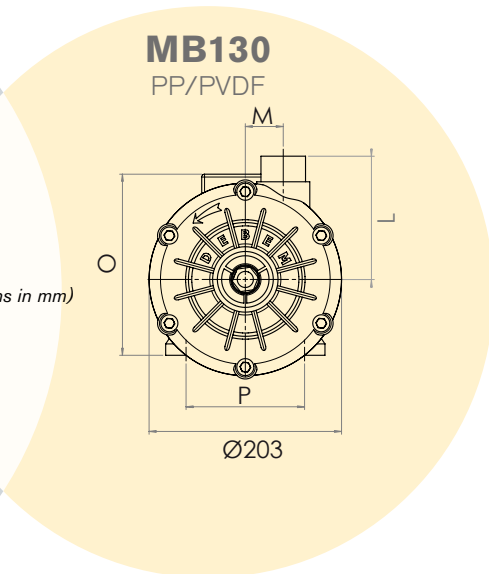
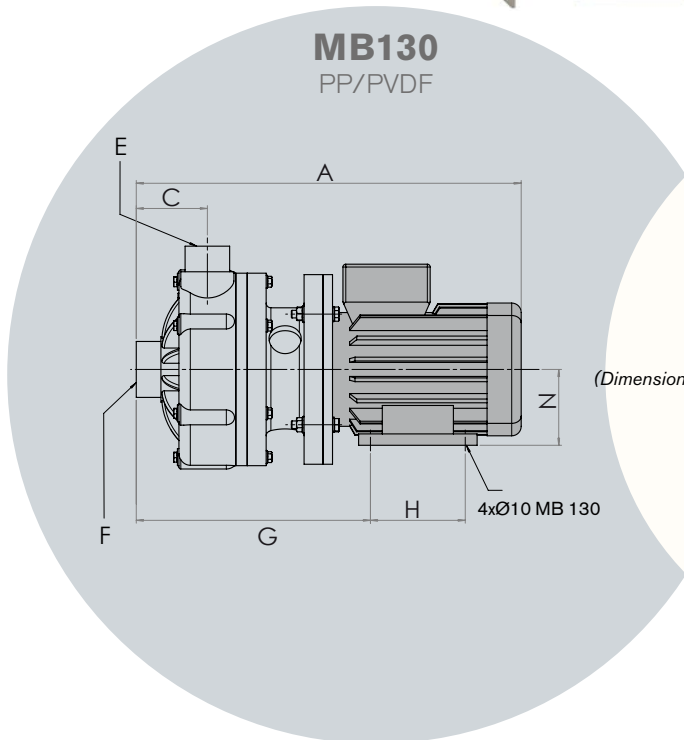
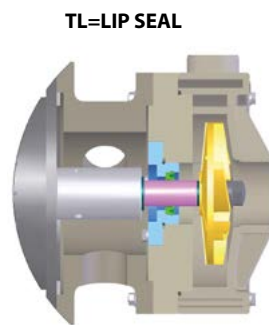
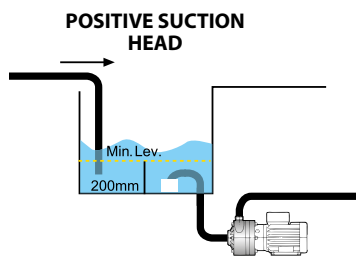


The curves and performance values refer to pumps spare delivery outlet and water at 20°C, 2 pole motor 50 Hz (2900rpm).

AVAILABLE MATERIAL



INSTALLATION



(Dimensions in mm)

Packing: wooden case - 61 x 29 x 41 cm-weight 12 Kg
(the weight only refers to the packaging without the pump in it).

MODEL	SEAL	POWER	Ø PASSING SOLIDS	A	C	E	F	G	H	L	M	N	O	P	KG PP	KG PVDF
MB130	TL-TS	2.2 Kw 3 HP	6	448	75	G 1" 1/2 m o DN 40	G 2" m o DN 50	257	125	130	40	90	210	140	22,5	23,5

MB COMPOSITION CODE

ex. **MB130--P-TLVN**

MB 130 in PP, Viton lip seal, three-phase motor

MB130	P -	TLV	N
PUMP MODEL	PUMP MATERIAL	TYPE OF SEAL	MOTOR
MB130 - MB 130	P - Polypropylene FC - PVDF+CF	TLV - Viton lip seal TLD - EPDM lip seal TSV - Viton bellow seal TSD - EPDM bellow seal	N* - Three-phase motor M - Single-phase motor A - ATEX motor

* Standard motor is the three-phase induction type with European voltage (2-pole) 50Hz

PRODUCT APPLICATION

