

HORIZONTAL CENTRIFUGAL PUMPS

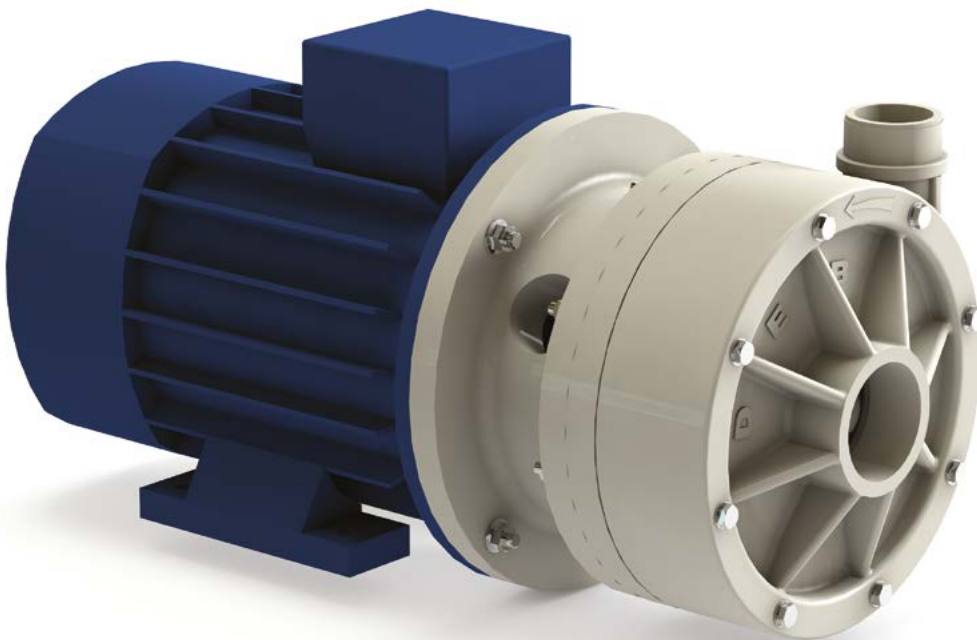
MB 155

MADE IN ITALY 

- **Product of Italian origin**
- Available in PP-PVDF
- Below head use
- No welded seams
- Seal: available with mechanical bellows seal (316 STAINLESS STEEL spring - SILICON CARBIDE + CERAMIC / SILICON CARBIDE + SILICON CARBIDE sealing ring) or with lip seal (VITON or EPDM)
- Operation also possible with heavily soiled fluids, with solids in suspension
- Max. flow rate 45 m³/h
- Max head 27 m
- Open impeller Ø 162 mm x H 5 mm (Standard impeller, for any special design with reference to the pumped fluid contact DEBEM's technical support)
- Extremely easy maintenance
- Low cost of spare parts
- Viscosity up to 500 CPS
- OPERATING TEMPERATURES:
PP min. +3°C / max. +65°C
PVDF min. +3°C / max. +95°C
- Continuous operation: YES
- Warranty: 1 year, according to our general conditions of sale.
- Spare parts: to identify the spare parts check the exploded views provided at the end of the operation and maintenance manual.

MODEL	Kw MOTOR	HP	MOTOR SIZE	RPM	MOTOR SPECIFICATIONS
MB155	5,5	7,5	B3+B5	2900	THREE-PHASE 400 / 690 V - 50 / 60 HZ 2 POLE efficiency class IE2 protection rating IP55 - Ambient temperature -30°C + 45° C / ATEX motor available

ATTENTION: technical data for standard motor, for any special design with reference to the pumped fluid contact DEBEM's technical support.



CE

Intake connections G 2" 1/2 f (or DN 65 on request)

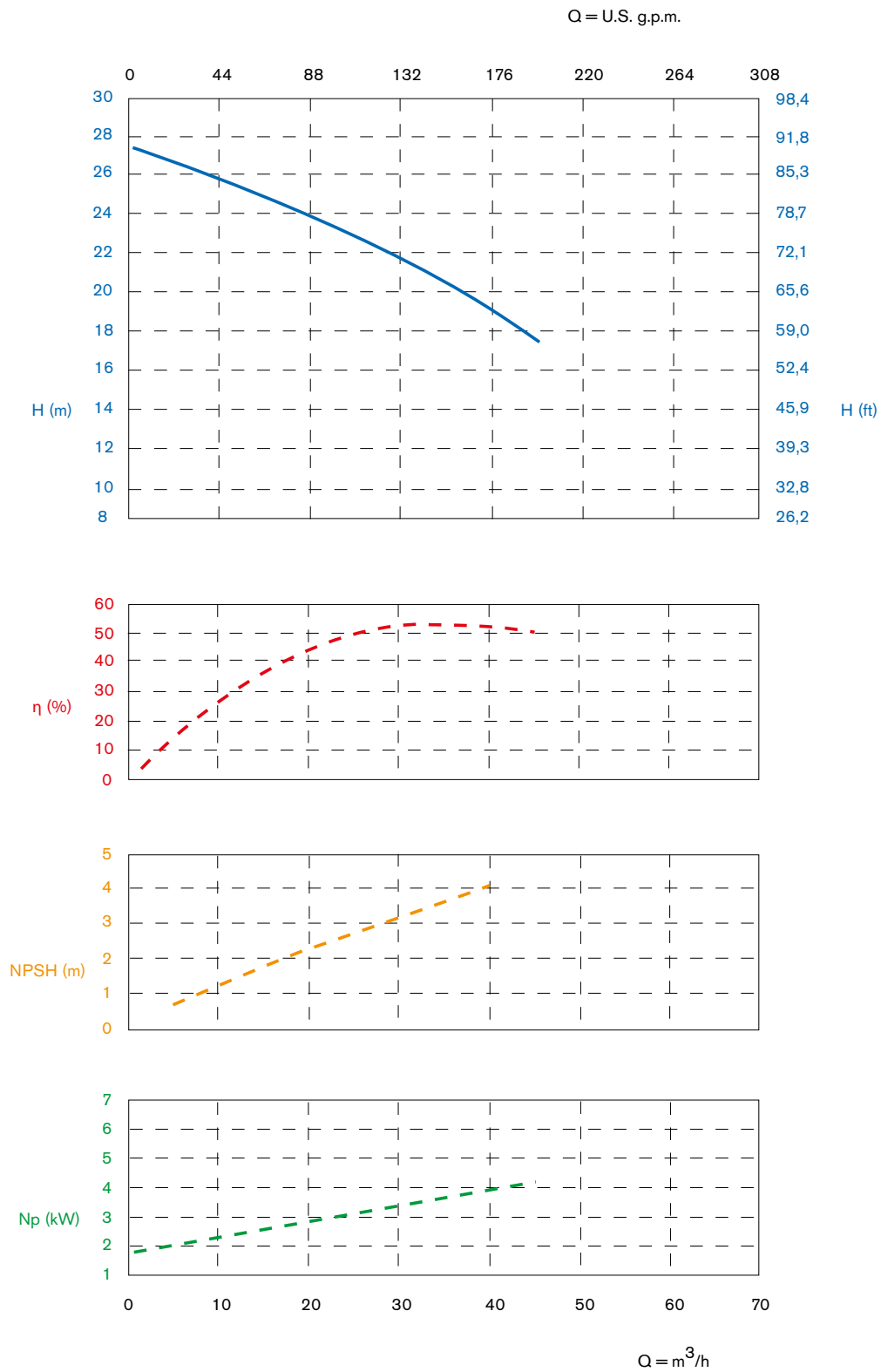
Delivery connections G 2" m (or DN 50 on request)

Max. flow rate 45 m³/h

Max. head 27 m

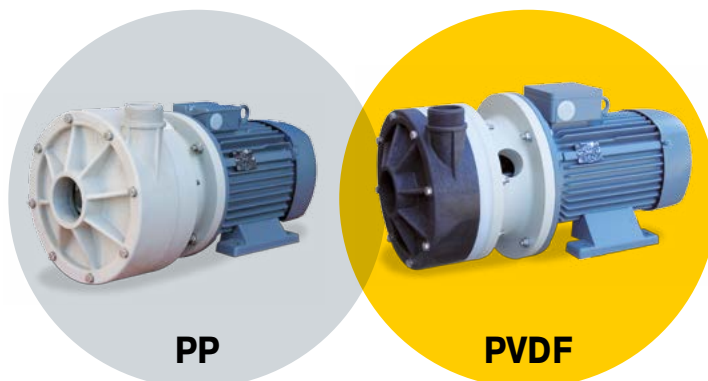
Construction materials PP - PVDF



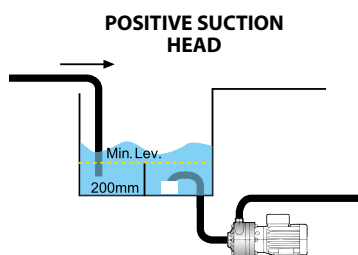


The curves and performance values refer to pumps spare delivery outlet and water at 20°C, 2 pole motor 50 Hz (2900rpm).

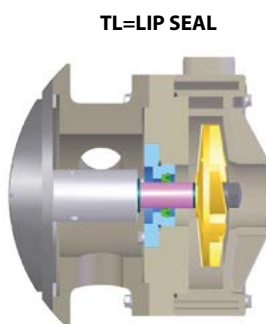
AVAILABLE MATERIAL



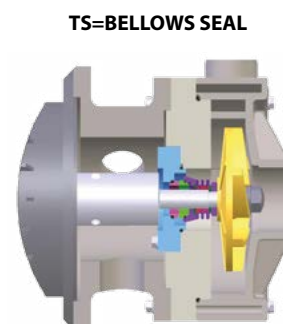
INSTALLATION



POSITIVE SUCTION HEAD

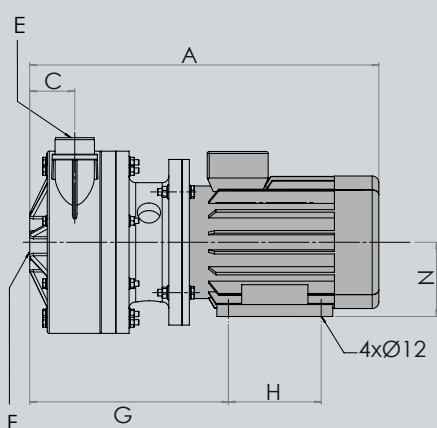


TL=LIP SEAL

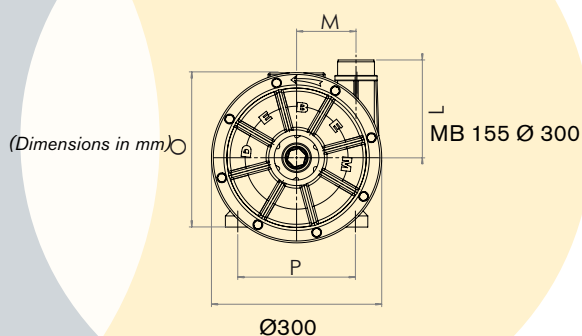


TS=BELLOWS SEAL

MB155
PP/PVDF



MB155
PP/PVDF



Packing: wooden case - 73 x 40 x 51 cm-weight 18 Kg
(the weight only refers to the packaging without the pump in it).

MODEL	SEAL	POWER	Ø PASSING SOLIDS	A	C	E	F	G	H	L	M	N	O	P	KG PP	KG PVDF
MB155	TL-TS	5.5 Kw 7.5 HP	3	619	68	G 2" m o DN 50	G 2" 1/2 f o DN 65	329	140	158	96	132	312	216	60	63

MB COMPOSITION CODE

ex. **MB155--P-TLVN**

MB 155 in PP, Viton lip seal, three-phase motor

MB155	P -	TLV	N
PUMP MODEL	PUMP MATERIAL	TYPE OF SEAL	MOTOR
MB155 - MB 155	P - Polypropylene FC - PVDF+CF	TLV - Viton lip seal TLD - EPDM lip seal TSV - Viton bellow seal TSD - EPDM bellow seal	N* - Three-phase motor M - Single-phase motor A - ATEX motor

* Standard motor is the three-phase induction type with European voltage (2-pole) 50Hz

PRODUCT APPLICATION

