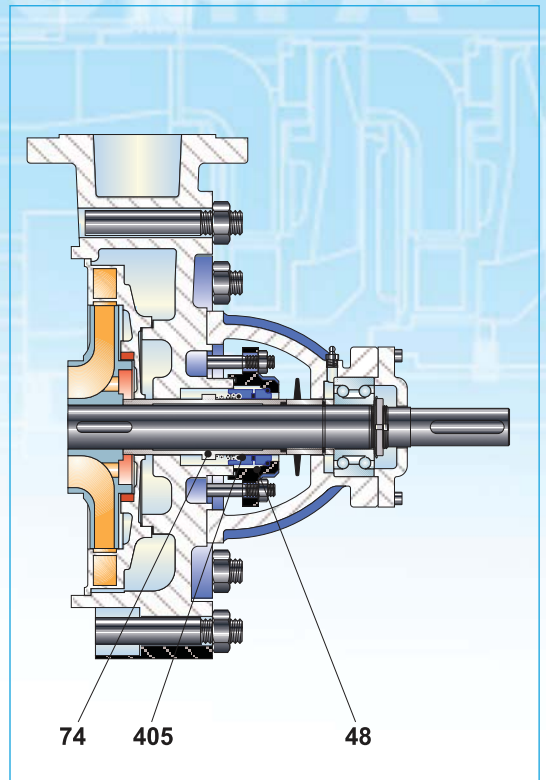


Parts list

Mechanical seal applications

Part No	Part Name	Part No	Part Name
03	Suction casing	72	Spacer sleeve (Discharge side)
05	Discharge casing	*74	Mechanical seal sleeve
06	Stage casing	88	Thrower
15	Diffuser	90	Tiebolt
16	Final stage diffuser	201	Angular contact ball bearing (Discharge side)
*20	Wear ring (stage casing)	210	Impeller key
*21	Wear ring (stage casing)	212	Coupling key
*22	Wear ring (suction casing)	220	Retaining ring
30	Bearing housing	230	Plug
34	Bearing end cover	260	Grease Nipple
36	Bearing bush	300	Stuffing box stud
42	Stuffing box gland	360	Hex. nut
44	Lantern ring	361	Hex. nut
*48	Mechanical seal cover	369	Shaft nut
50	Impeller	392	Shaft locking nut + Washer
60	Shaft	400	Stuffing box packing
67	Interstage sleeve	*405	Mechanical seal
68	Spacer sleeve (Discharge side)	420	O-Ring
70	Shaft protecting sleeve (Discharge side)	421	O-Ring



(*) Optional