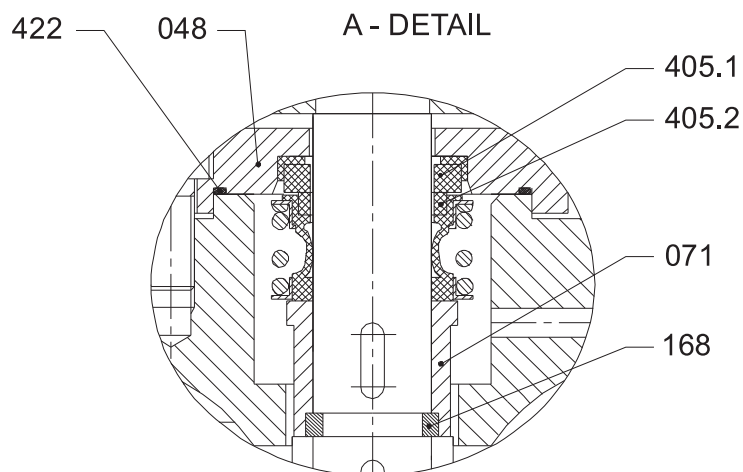
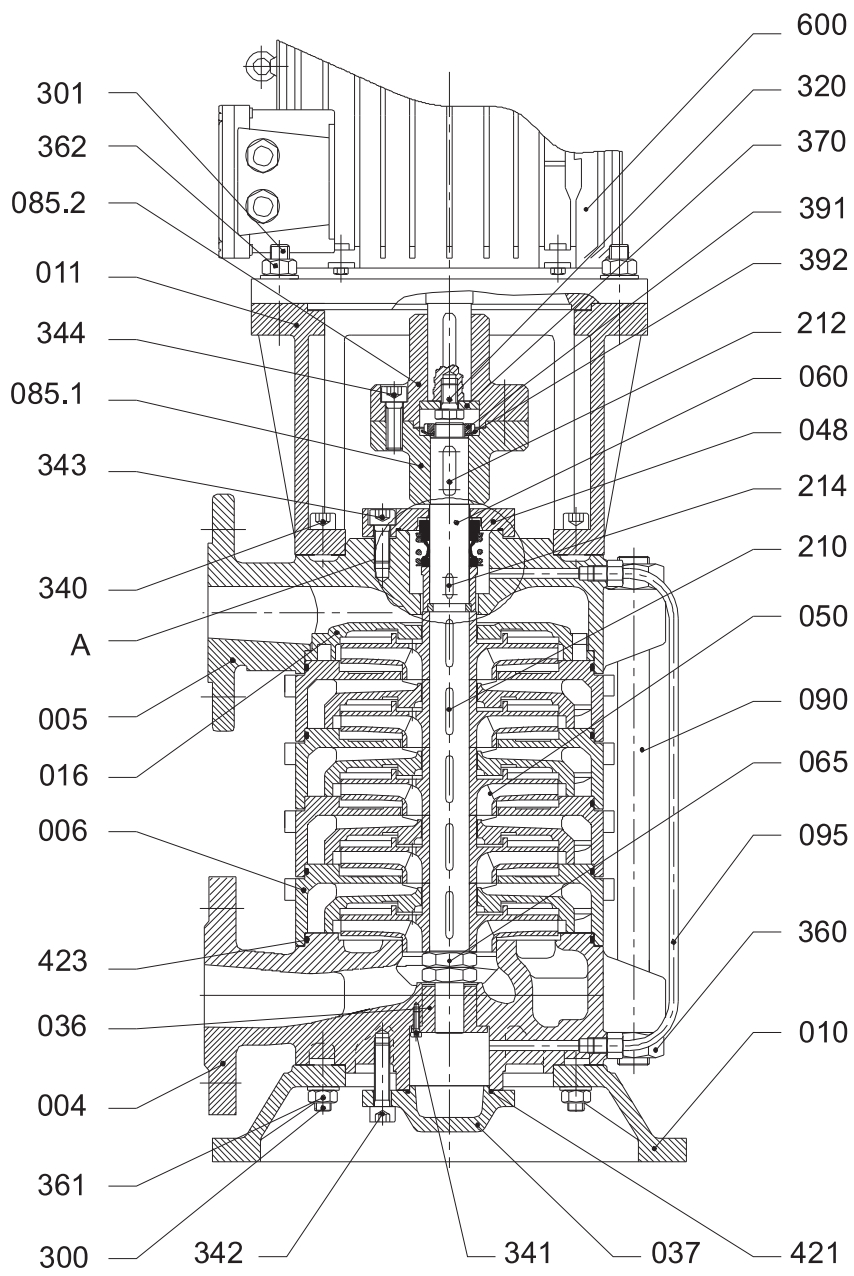


L- SECTIONAL DRAWINGS



PART LIST

004	Suction Casing
005	Discharge Casing
006	Stage Casing
010	Pump Foot
011	Motor Pedestal
016	Final Stage Diffuser
036	Sleeve Bearing
037	Sleeve Bearing Cover
048	Mechanical Seal Cover
050	Impeller
060	Pump Shaft
065	Shaft End Nut
071	Shaft Protecting Sleeve
085.1	Coupling (Pump Side)
085.2	Coupling (Motor Side)
090	Tiebolt
095	Sleeve Bearing Feeding Pipe
168	Split Ring
210	Impeller Key
212	Coupling Key
214	Sleeve Key
300	Stud
301	Stud
320	Hex. Bolt (Coupling)
340	Allen Bolt (Motor Pedestal)
341	Allen Bolt (Sleeve Bearing)
342	Allen Bolt (Sleeve Bearing Cover)
343	Allen Bolt (Mechanical Seal Cover)
344	Allen Bolt (Coupling)
360	Hex.Nut (Tiebolt)
361	Hex.Nut (Pump Foot)
362	Hex.Nut (Motor Pedestal)
370	Washer
391	Shaft End Nut
392	Lock Washer
405.1	Mechanical Seal (Stationary Part)
405.2	Mechanical Seal (Rotating Part)
421	O-Ring (Sleeve Bearing Cover)
422	O-Ring (Mechanical Seal Cover)
423	O-Ring (Casing)
600	Electric Motor