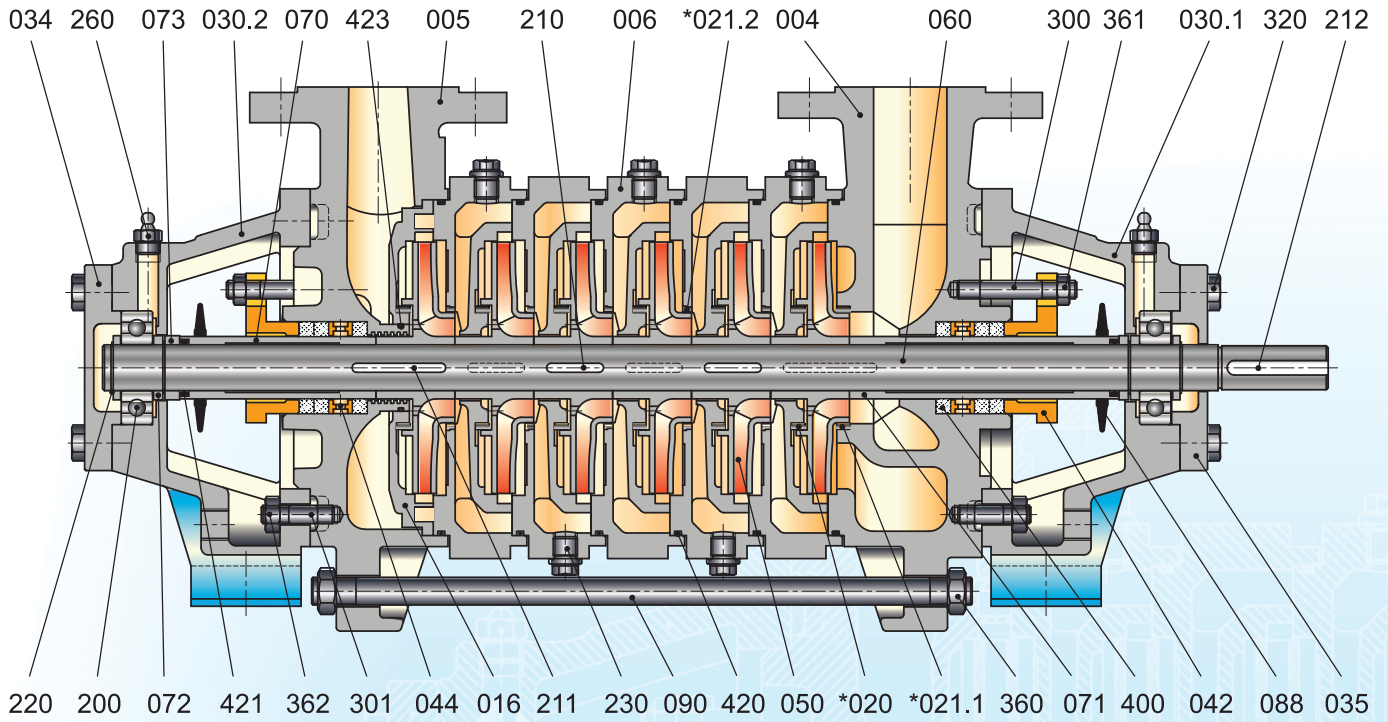
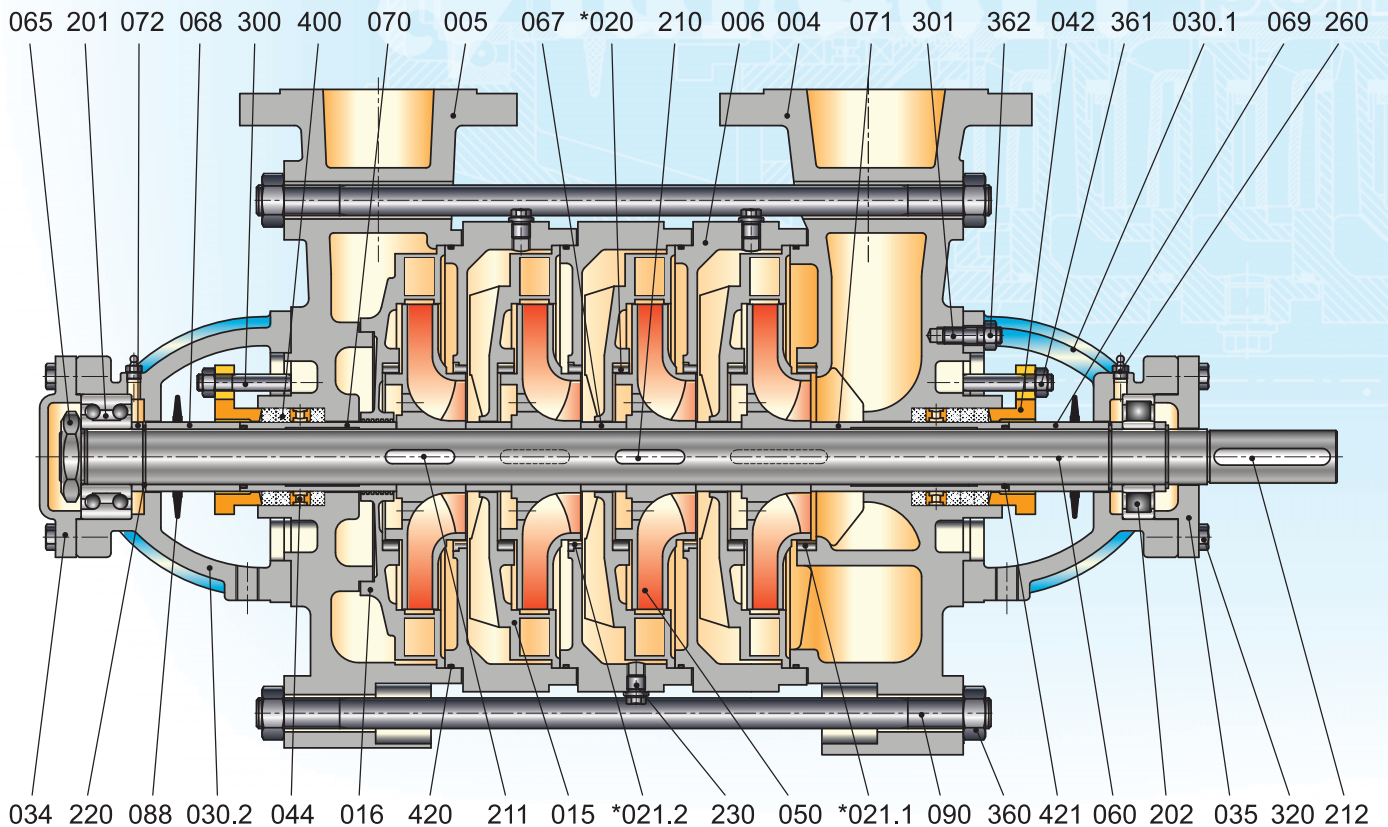


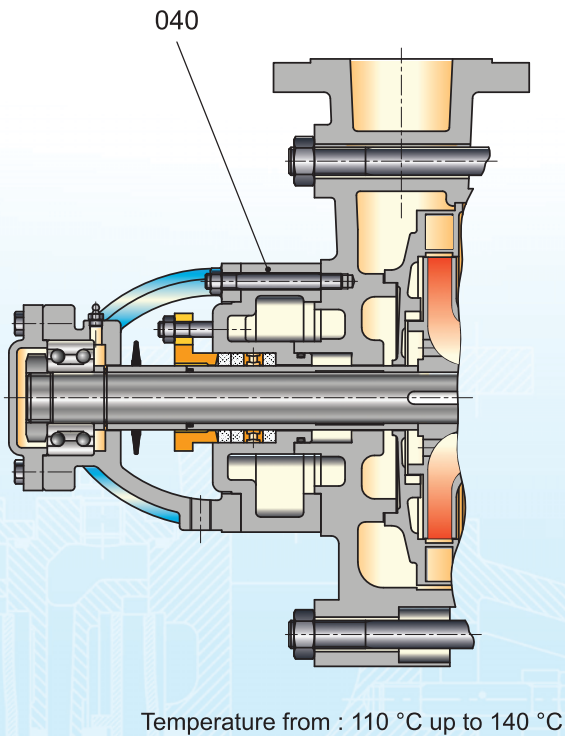
SKM 32 up to 65



SKM 80 up to 200



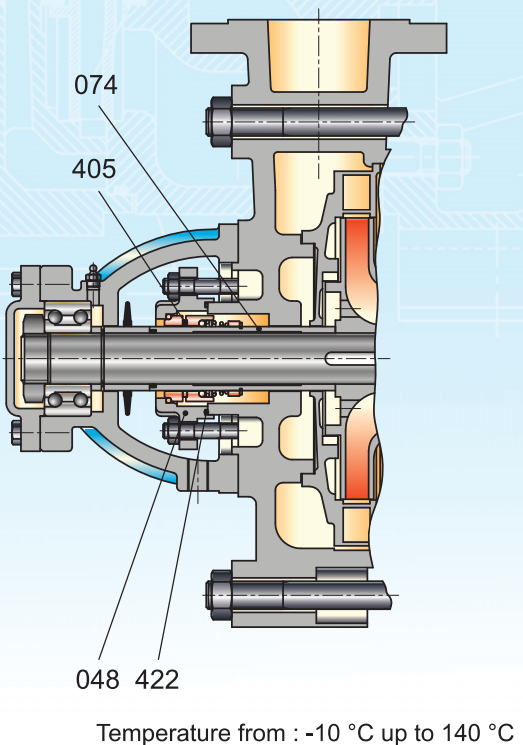
Stuffing Box Cooling Application



Parts list

Part No	Part Name
004	Suction Casing
005	Discharge Casing
006	Stage Casing
015	Diffuser
016	Final Stage Diffuser
*020	Wear Ring (Stage Casing)
*021.1	Wear Ring (Suction Casing)
*021.2	Wear Ring (Stage Casing)
030.1	Bearing Housing (Suction Casing)
030.2	Bearing Housing (Discharge Casing)
034	Bearing End Cover
035	Bearing Cover (Coupling Side)
040	Stuffing Box Cooling Chamber
042	Stuffing Box Gland
044	Lantern Ring
048	Mechanical Seal Cover
050	Impeller
060	Shaft
065	Shaft End Nut
067	Interstage Sleeve
068	Spacer Sleeve (Discharge Side)
069	Spacer Sleeve (Suction Side)
070	Shaft Protecting Sleeve (Discharge Side)
071	Shaft Protecting Sleeve (Suction Side)
072	Spacer Sleeve (Discharge Side)
073	Spacer Sleeve
074	Mechanical Seal Sleeve
088	Thrower
090	Tiebolt
200	Ball Bearing
201	Angular Contact Ball Bearing
202	Cylindrical Roller Bearing
210	Impeller Key
211	Stage Key
212	Coupling Key
220	Retaining Ring
230	Plug
260	Grease Nipple
300	Stuffing Box Stud
301	Stud
320	Hex.Head Bolt
360	Hex.Nut
361	Hex.Nut
362	Hex.Nut
400	Stuffing Box Packing
*405	Mechanical Seal
420	O-Ring
421	O-Ring
422	O-Ring
423	O-Ring

Mechanical Seal Application



* Optional