



TSURUMI PUMP

BZ 3-phase
50Hz

Sewage pump with non-clogging impeller - Solid passage 80mm

Non-clog impeller allows large diameter of foreign matter with respect to discharge bore. This ensures that waste water and sewage are efficiently transferred. The impeller comes out with the motor when the motor is removed from the pump casing (a back-pull-out design, upto 3, 7kW).





Non-clog impeller

80mm solid passage. A non-clog impeller allows large diameter of foreign matter with respect to discharge bore. This ensures that waste water and sewage are efficiently transferred.



Optional Accessories:

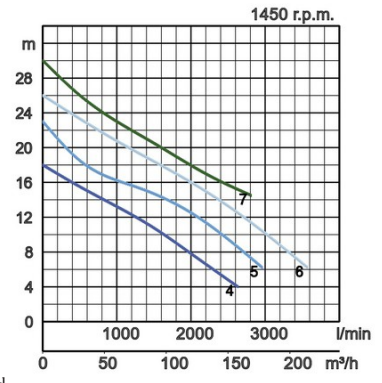
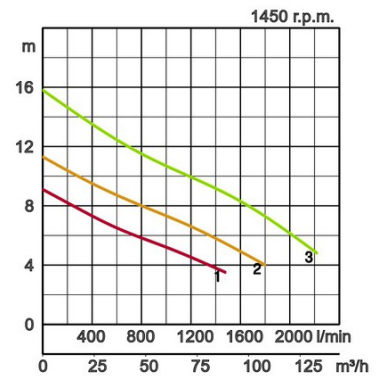
- Guide rail fitting consisting of:
 - Guide support / Guide hook
 - Duck foot bend
 - Lifting chain
- Discharge bend
- Stand for free standing type (5,5kW or over)



Specifications:

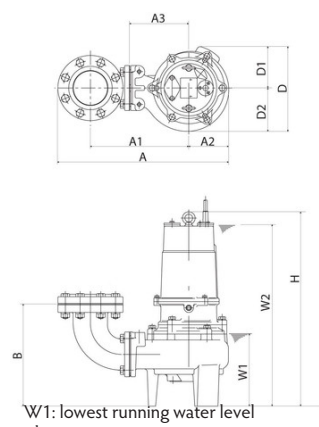
| Model | | Colour code curve | Bore mm | Power output kW | Phases | r.p.m. | Head max. m | Capacity max. l/min | Starting method | Dry weight kg without cable | | Impeller passage mm | |
|---------------|-------------------------|-------------------|---------|-----------------|--------|--------|-------------|---------------------|-----------------|-----------------------------|-------------------------|---------------------|----|
| free standing | with guide rail fitting | | | | | | | | | free standing | with guide rail fitting | | |
| 80BZ41.5 | TOS80BZ41.5 | | 1 | 80 | 1,5 | 3 | 1450 | 8,5 | 1400 | direct | 78,0 | 74,0 | 80 |
| 100BZ42.2 | TOS100BZ42.2 | | 2 | 100 | 2,2 | 3 | 1450 | 11,3 | 1800 | direct | 80,0 | 74,0 | 80 |
| 100BZ43.7 | TOS100BZ43.7 | | 3 | 100 | 3,7 | 3 | 1450 | 14,7 | 2100 | direct | 100,0 | 94,0 | 80 |
| 100BZ45.5 | TOS100BZ45.5 | | 4 | 100 | 5,5 | 3 | 1450 | 19,0 | 2085 | direct | 175,0 | 168,0 | 80 |
| 100BZ47.5 | TOS100BZ47.5 | | 5 | 100 | 7,5 | 3 | 1450 | 23,6 | 2100 | direct | 194,0 | 187,0 | 80 |
| 100BZ411 | TOS100BZ411 | | 6 | 100 | 11 | 3 | 1450 | 26,0 | 3575 | star/delta | 219,0 | 212,0 | 80 |
| 100BZ411H | TOS100BZ411H | | 7 | 100 | 11 | 3 | 1450 | 30,0 | 2810 | star/delta | 219,0 | 212,0 | 80 |

| | | | |
|----------------------|--|--|------------------------------|
| ø Discharge bore mm | | 80mm,100mm | |
| Pumping Fluid | Temperature | 0-40°C | |
| | Type of Fluid | Municipal sewage | |
| Pump | Components | Impeller | Non-clog impeller |
| | | Shaft Seal | Double mechanical seal |
| | | Bearings | Shielded ball bearings |
| | Material | Impeller | Grey iron casting EN-GJL-200 |
| | | Casing | Grey iron casting EN-GJL-200 |
| | | Suction Plate | Grey iron casting EN-GJL-200 |
| Shaft Seal | Silicon carbide in oil bath | | |
| Motor | Type, Poles | Induction motor, 4 poles, IP68 | |
| | Lubrication | Turbine oil (ISO VG32) | |
| | Insulation | Insulation class F | |
| | Motor Protector (built-in) | Circle thermal cut-out, Miniature protector | |
| | Phase / Voltage | 3-phase / 400V / 50Hz / d.o.l., 3-phase / 400V / 50Hz / s.d. | |
| | Material | Casing | Grey iron casting EN-GJL-150 |
| | | Shaft | Stainless steel EN-X30Cr13 |
| Cable | | Rubber, 10m H07RN-F | |
| Discharge Connection | Inside thread, JIS10K flange | | |
| Optional Accessories | Guide rail fitting "TOS" (guide support, duck foot bend, lifting chain) / Bend and stand set for free standing types | | |



Dimensions in mm:

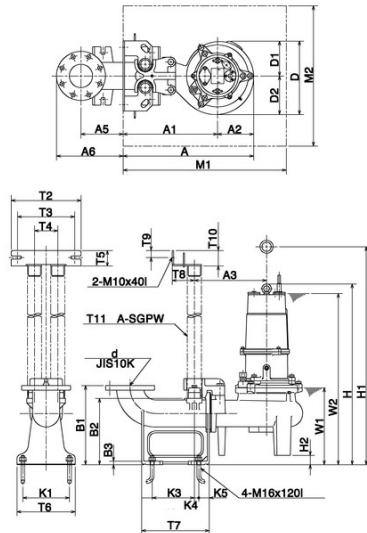
| Model | A | A1 | A2 | A3 | B | D | D1 | D2 | H | W1 | W2 |
|-----------|-----|-----|-----|-----|-----|-----|-----|-----|------|-----|-----|
| 80BZ41.5 | 523 | 302 | 129 | 190 | 303 | 273 | 133 | 140 | 631 | 235 | 590 |
| 100BZ42.2 | 551 | 317 | 129 | 190 | 328 | 273 | 133 | 140 | 631 | 235 | 590 |
| 100BZ43.7 | 584 | 327 | 153 | 200 | 328 | 289 | 139 | 150 | 681 | 235 | 640 |
| 100BZ45.5 | 716 | 407 | 204 | 280 | 380 | 421 | 205 | 216 | 925 | 305 | 790 |
| 100BZ47.5 | 716 | 407 | 204 | 280 | 380 | 421 | 205 | 216 | 946 | 305 | 820 |
| 100BZ411 | 727 | 407 | 215 | 280 | 377 | 431 | 205 | 226 | 1023 | 330 | 865 |
| 100BZ411H | 727 | 407 | 215 | 280 | 377 | 431 | 205 | 226 | 1023 | 330 | 865 |



Please mind: discharge bend, duck foot bend and stand set are accessories and must be ordered separately

Dimensions - guide rail fitting type in mm:

| Model | A | A1 | A2 | A3 | A5 | A6 | D | D1 | D2 | W1 | W2 | H | H1 | H2 | M1 | M2 |
|-----------|-----|-----|-----|-----|-----|-----|-----|-----|-----|-----|-----|------|------|-----|-----|-----|
| 80BZ41.5 | 439 | 310 | 129 | 250 | 165 | 258 | 273 | 133 | 140 | 250 | 605 | 646 | 805 | 15 | 600 | 500 |
| 100BZ42.2 | 439 | 310 | 129 | 250 | 165 | 270 | 273 | 133 | 140 | 250 | 605 | 646 | 805 | 15 | 600 | 500 |
| 100BZ43.7 | 473 | 320 | 153 | 260 | 165 | 270 | 289 | 139 | 150 | 250 | 655 | 696 | 855 | 15 | 600 | 500 |
| 100BZ45.5 | 649 | 445 | 204 | 330 | 181 | 286 | 407 | 191 | 216 | 295 | 780 | 914 | 1210 | 112 | 950 | 700 |
| 100BZ47.5 | 649 | 445 | 204 | 330 | 181 | 286 | 407 | 191 | 216 | 295 | 805 | 935 | 1248 | 112 | 950 | 700 |
| 100BZ411 | 660 | 445 | 215 | 350 | 181 | 286 | 428 | 202 | 226 | 330 | 860 | 1016 | 1312 | 113 | 950 | 700 |
| 100BZ411H | 660 | 445 | 215 | 350 | 181 | 286 | 428 | 202 | 226 | 330 | 860 | 1016 | 1312 | 113 | 950 | 700 |



W1: lowest running water level

| Discharge bore mm | d | T2 | T3 | T4 | T5 | T6 | T7 | T8 | T9 | T10 | T11 | K1 | K3 | K4 | K5 | B1 | B2 | B3 |
|-------------------|-----|-----|-----|----|----|-----|-----|----|----|-----|-----|-----|-----|----|----|-----|-----|----|
| 80mm | 80 | 230 | 195 | 80 | 50 | 220 | 250 | 60 | 25 | 28 | 50 | 170 | 155 | 15 | 40 | 290 | 237 | 15 |
| 100mm | 100 | 230 | 195 | 80 | 50 | 220 | 250 | 60 | 25 | 28 | 32 | 170 | 155 | 15 | 40 | 290 | 237 | 15 |

We reserve the right to change specifications and designs herein for improvement without prior notice. Our pumps are for professional use only. In the event that Tsurumi (Europe) GmbH have, in exceptional cases taken over, a manufacturer's warranty, this entitles the enduser to assert remedy free of charge against Tsurumi (Europe) GmbH due to any defect to the product occurring during the guarantee period (see below), also then when the warranty claims against the seller do not or no longer exist. In the event of malfunction, which is attributable to the improper handling by the enduser, no guarantee claim shall arise. Further claims shall not result from the warranty, unless if something to the contrary has explicitly been determined. The decision as to whether remedy is effected by way of replacement or repair shall be at the choice of Tsurumi (Europe) GmbH. The claims shall be time barred after a period of three months after expiry of the guarantee period, however, not before expiry of the warranty period which is valid towards the seller. In the event of doubt, the warranty period shall correspond with the warranty period which is valid between the end-user and his seller.

sew-BZ-EN

