



TSURUMI PUMP

HS 1-phase
50Hz

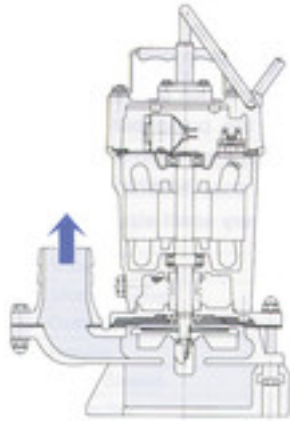
Light duty drainage pump
- for professional use

The TSURUMI HS-pump is a small and robust submersible contractor's pump with a wide range of applications wherever water has to be moved.



Side discharge

The spiral type pump features a large waterway area as illustrated and carries sand suspensions or slurry very effectively. Since a high performance motor is used, the pump can be run continuously in air.



Long life, low maintenance

No wear plate to replace. Impeller made of urethane rubber, pump casing made of ductile iron casting.

Tough casing

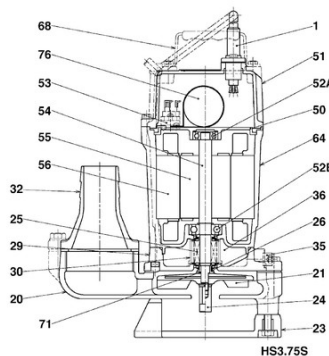
Withstands abrasion, provides long service, high throughput. Remove only three bolts for easy access to the impeller.

New designed Motor

Aluminium casting motor frame is superior to motor cooling and ensures the light weight.

Components:

001 Cable	050 Motor cover
020 Pump casing	051 Head cover
021 Impeller	052A Upper bearing
023 Strainer	052B Lower bearing
024 Agitator	053 Motor protector
025 Mechanical seal	054 Shaft
026 Oil sealing	055 Rotor
029 Oil casing	056 Stator
030 Oil lifter	064 Motor casing
032. Outlet	068 Handle
035 Oil plug	071 Shaft sleeve
036 Lubricant	076 Condensor



Cast Iron used:

Ductile iron casting EN-GJS-700-2

Brinell hardness:

229 - 321

